



I-SHEET NUMBER: INST-INST-00126  
 PART NUMBER: 114417512  
 PRODUCT: NERF STEP  
 APPLICATION: 2014-2018 CHEVY/GM

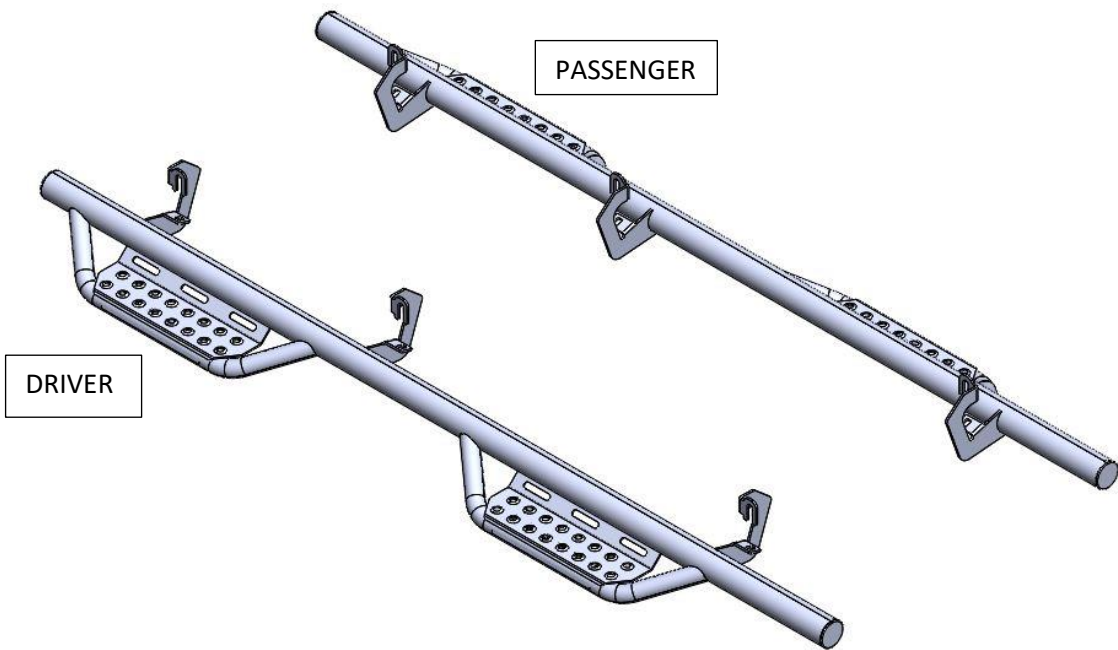
n-fab.com

nfabinc   

HARDWARE DESCRIPTION		QTY.
<b>HWKT-00424X</b>		
CLIP-00643	M8-1.25 X 20MM BARREL U-NUT CLIP	2
HHCS-00647	M8-1.25 X 25MM CLASS 8.8 HEX CAP SCREW	12
HXNT-00708	M8-1.25 CLASS 8 FINISHED HEX NUT	6
FDRW-00736	M8 FENDER WASHER	18
PARTS INCLUDED		QTY
DRIVER SIDE		1
PASSENGER SIDE		1



**Step 1:** Identify Driver side step



**Step 2:** Starting with the Driver side, Look on the underside of the body and locate the factory supplied mounting positions.

**NOTE:** *Some vehicles require the use of speed clips and nuts, which are supplied with the hardware kit.*

**Step 3:** If your vehicle requires the use of the speed clips, install at this time. This requires the removal of a plastic body plug. Using a flat head screwdriver remove the plug and install one of the supplied speed clips.



**Step 4:** Install the Nerf Step to the mounting locations in the body of the vehicle and install hardware. Do not tighten all the way. **NOTE:** *Some vehicles may require the use of additional nuts and washers for the lower portion of the mounting bracket which are supplied in the hardware kit*



**Step 5:** Next, tighten all hardware beginning with the lower mounts first then the upper mounting locations.

**Step 6:** Re-peat steps 2-5 for passenger side.