





# Installation Instructions Header Safari Bikini®

## Vehicle Application

•Jeep Wrangler with or without Door Surround  
2003 – 2006  
Part Number: 52532

This product must be used with a Windshield Header Kit Part Number 51238 or with your TJ Supertop Header.

INSTALLATION TIME	SKILL LEVEL
 <b>1 Hour</b>	<div style="display: flex; justify-content: space-around;"> <span>1</span> <span>2</span> <span>3</span> <span>4</span> </div> <b>1 - Easy</b>

TOOLS
<div style="border: 1px solid black; padding: 2px; display: inline-block;">           Safety Glasses   </div>



### Installation Tips

Before you begin installing this assembly, read all instructions thoroughly.

#### For a smooth fit:

For ease in installation, the product should be installed at temperatures above 72° F. Below this temperature, the fabric may contract an inch or more, making it difficult to fit to the vehicle. It is normal for fabric to contract and wrinkle when stored in the shipping carton. Within a few days after the installation, the fabric will relax and the wrinkles will disappear.

**CAUTION** Safety glasses should be worn at all times while installing this product.

**WARNING** This product is designed primarily to enhance the appearance of the vehicle and to shield the occupants from ordinary weather conditions. Do not rely in any way on the components of this product to contain occupants within the vehicle, or to protect against injury or death in the event of an accident. This product will not protect the occupants from falling objects. Never operate the vehicle in excess of manufacturer's specifications.

#### WEAR SEAT BELTS AT ALL TIMES

Read and follow, precisely, all installation instructions provided when installing product. Failure to do so may result in a poor fit and could place occupants of the vehicle in a potentially dangerous situation.

# Header Safari Bikini® – Installation Instructions

## Parts List

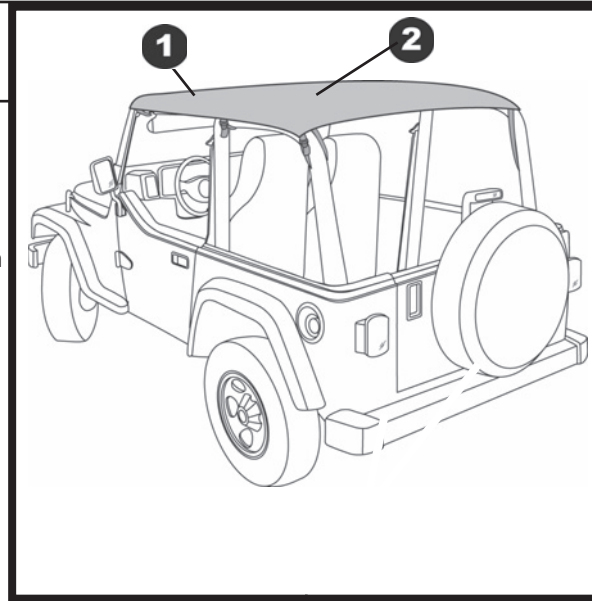
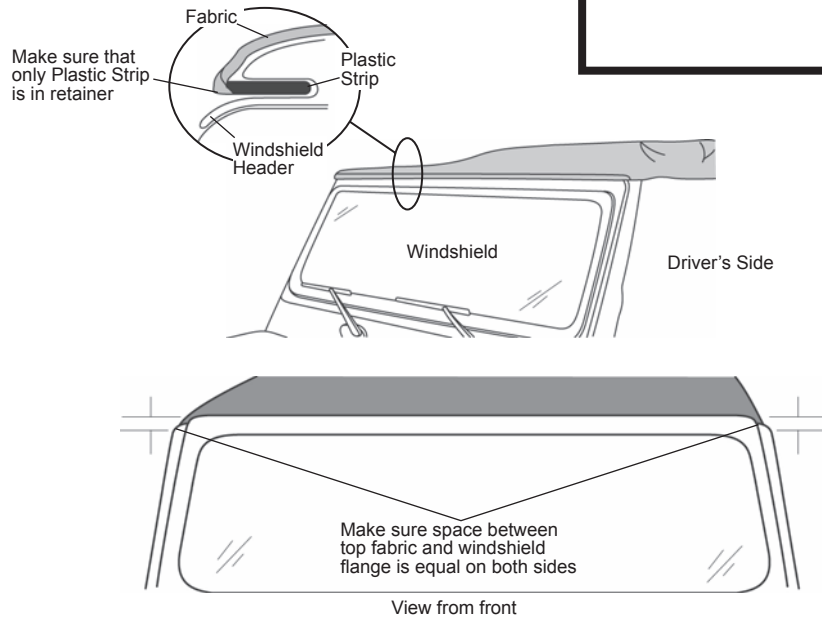
Safari Bikini

Qty - 1

### 1 Install Bikini on Header

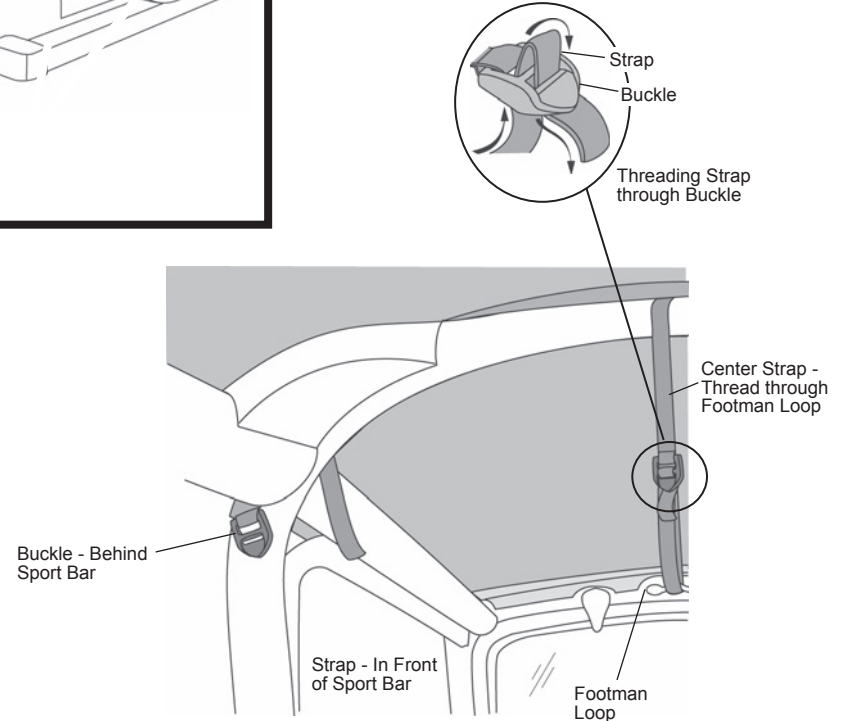
Orient the Safari Bikini with the plastic ridge to the front and the straps toward the back. Drape the fabric over the sport bar and insert the plastic strip sewn along the front of the top into the windshield header. Do not catch the fabric in the retainer. Center the front of the deck on the vehicle so that it is an equal distance from the top of the windshield flange on both sides.

**NOTE** For best possible installation, check to make sure that the soft top is perfectly centered on the vehicle.



### 2 Secure Center Strap

Wrap the long center strap at the rear of the Bikini around the sport bar. Pull it forward into the vehicle and up to the windshield. Thread the strap through the footman loop on the windshield frame. Then pull the end of the strap back and thread it through the buckle. Tighten it securely.



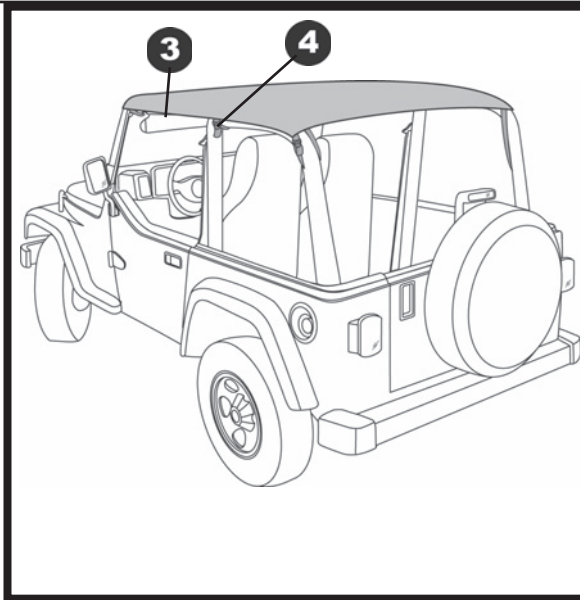
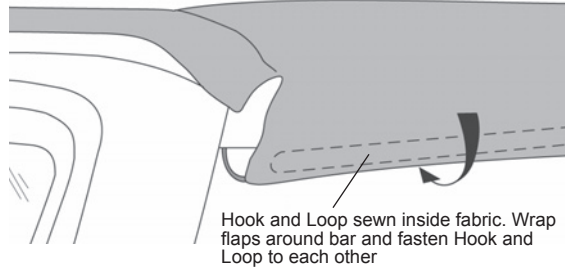
## Header Safari Bikini® – Installation Instructions

### 3 Secure Bikini Above Doors

#### Vehicles Without Door Surrounds

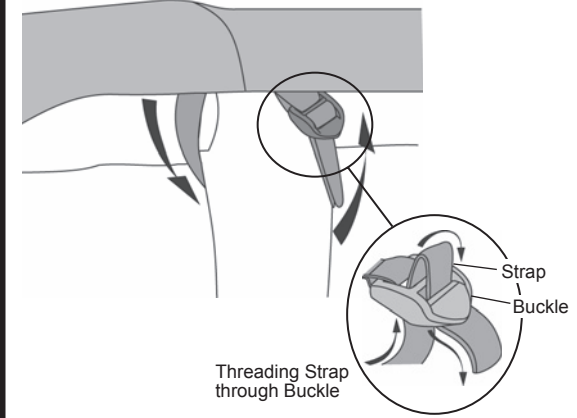
Locate the hook and loop strips sewn to the front corners of the Safari Bikini. Fasten the strips to each other and tuck them up above the horizontal sport bar, out of the way.

Locate the flap sewn inside the Bikini above the door opening. Wrap the inside and outside flaps around the horizontal sport bar and fasten the Hook and Loop Strips to each other.



### 4 Secure Side Buckle Straps

Wrap the strap sewn to the side of the Safari Bikini around the sport bar and thread it through the buckle on the side of the Bikini.



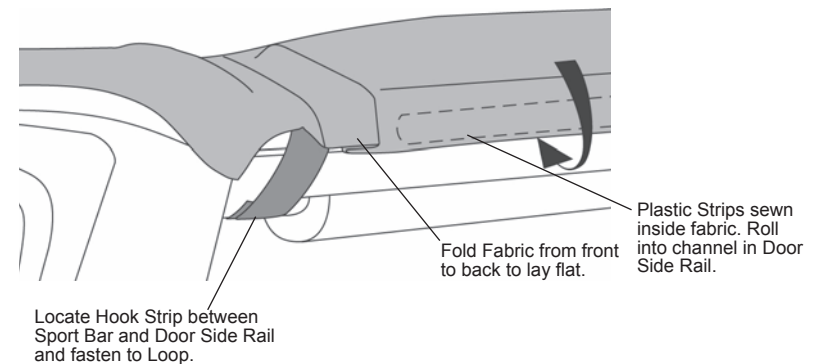
#### Vehicles With Door Surrounds

Locate the hook and loop strips sewn to the front corners of the Safari Bikini. Tuck the hook strip between the horizontal sport bar and the Door Side Rail.

Locate the plastic strip sewn along the edge of the outer flap, above the door opening. Slip the plastic strip into the channel on the Door Side Rail.

Fold the fabric insert from front to back, so that it lays flat on top of the horizontal sport bar and wrap the outer loop strip around the Door Surround and fasten it to the hook strip tucked inside of the rail to hold the fabric in place.

Repeat this on both sides of the vehicle.



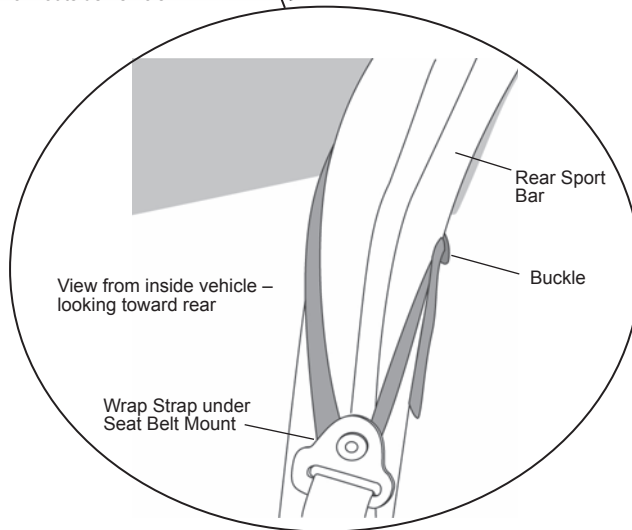
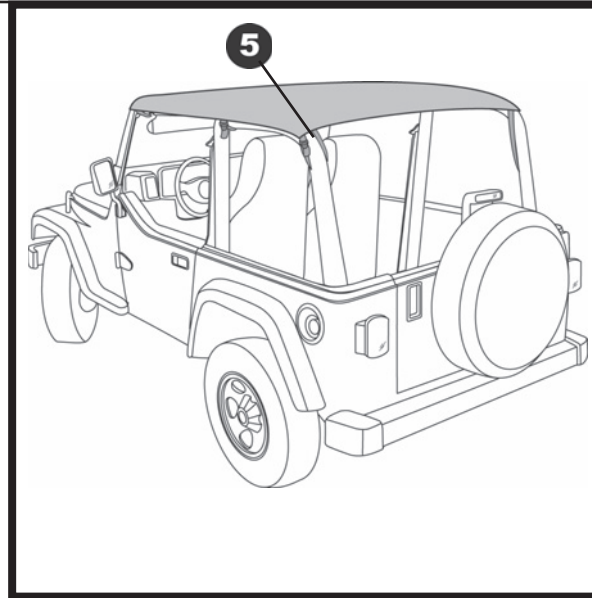
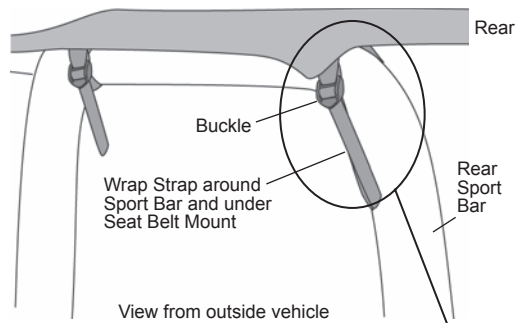
#### NOTE

When removing the Safari Bikini, it will be easiest to remove the plastic strips by starting at the front of the plastic and pulling down and out.

## Header Safari Bikini® – Installation Instructions

### 5 Secure Rear Corner Straps

Locate the Buckles and straps sewn to the rear corners of the Safari Bikini. Wrap the straps over the outside of the sport bars and under the seat belt mounts. This will tighten the rear edge of the Bikini. Thread the end of each strap through its buckle and tighten.



## Header Safari Bikini® – Installation Instructions

---

### Care and Maintenance of your Bestop Product

Your Bestop product is made of the finest materials available. To keep it looking new and for the maximum possible wear, it will need periodic cleaning and maintenance.

**Washing:** The fabric should be washed often using soap, warm water and a soft bristle brush. Rinse with clear water to remove all traces of soap or use Bestop-recommended Bestop Cleaner and Bestop Protectant. Bestop Cleaner and Bestop Protectant are specially formulated to provide a total cleaning and protection system. Bestop Cleaner will not harm vehicle finish, is biodegradable and environmentally friendly. Bestop Protectant protects against UV-fading, cracking and hardening.

**Water:** Seeping through at the seams may be stopped by applying 3-M Scotchgard® on the inside of the seams. Rips in the fabric may be repaired with Bondex® iron on patches. Iron the patches to the Inside of the top, carefully following the Bondex® instructions.

---

### LIMITED WARRANTY

We warrant our product to be free from defects in material and workmanship, for the terms specified below, provided there has been normal use and proper maintenance. This warranty applies to the original purchaser only. All remedies under this warranty are limited to the repair or replacement of any item or items found by the factory to be defective within the time period specified. If you have a warranty claim, first you must call our factory at the number below for instructions. You must retain proof of purchase and submit a copy with any items returned for warranty work. Upon completion of warranty work, if any, we will return the repaired or replaced item or items to you freight prepaid. Damage to our products caused by accidents, fire, vandalism, negligence, misinstallation, misuse, Acts of God, or by defective parts not manufactured by us, is not covered under this warranty.

THE WARRANTY TIME PERIOD IS AS FOLLOWS FOR REPLACE-A-TOP™, SAILCLOTH REPLACE-A-TOP™, SUPERTOP®, SUPERTOP® REPLACEMENT SKINS, SUNRIDER®, AND TIGERTOP®: TWO YEARS FROM DATE OF PURCHASE.

THE WARRANTY TIME PERIOD IS AS FOLLOWS FOR ALL OTHER “SOFT GOODS” MANUFACTURED BY OUR COMPANY (USING PRIMARILY VINYL, PLASTICS, AND/OR FOAM): ONE YEAR FROM DATE OF PURCHASE.

THE WARRANTY TIME PERIOD IS AS FOLLOWS FOR ALL OTHER “HARD GOODS” MANUFACTURED BY OUR COMPANY (USING PRIMARILY METALS, PLASTICS, AND/OR FIBERGLASS): ONE YEAR FROM DATE OF PURCHASE.

ANY IMPLIED WARRANTIES OF MERCHANTABILITY AND/OR FITNESS FOR A PARTICULAR PURPOSE CREATED HEREBY ARE LIMITED IN DURATION TO THE SAME DURATION AND SCOPE AS THE EXPRESS WRITTEN WARRANTY. OUR COMPANY SHALL NOT BE LIABLE FOR ANY INCIDENTAL OR CONSEQUENTIAL DAMAGE.

Some states do not allow limitations on how long an implied warranty lasts, or the exclusion or limitation of incidental or consequential damages, so the above limitations or exclusions may not apply to you. This warranty gives you specific legal rights, and you may also have other rights which vary from state to state.



NOTE: All or a portion of this product may be made in China or Mexico