



Installation Instructions Header Style Safari Style Bikini

Vehicle Application:
Jeep® JT Gladiator 2019-Current
Part Number 52614 (Requires 51244)

Installation Tips

Before you begin installing your new Safari Style Bikini Top, please read all the instructions thoroughly.





WARNING Do not rely in any way on the components of this product to protect against injury or death in the event of an accident. Never operate the vehicle in excess of manufacturer's specifications.






Read and follow, precisely, all installation instructions provided when installing this product. Failure to do so may result in a poor fit and could place occupants of the vehicle in a potentially dangerous situation.

WEAR SEAT BELTS AT ALL TIMES

CAUTION Safety glasses should be worn at all times when installing this product.



Tools		
 Safety Glasses	 T25 - T40 - T50 Torx Drivers	 Phillips Screwdriver
	 13mm Wrench	

Installation Time	
	30 minutes
Skill Level	
	  
1 - Easy	



Installation Instructions Header Style Safari Style Bikini

Vehicle Application:
Jeep® JT Gladiator 2019-Current
Part Number 52614 (Requires 51244)

Sugerencias de Instalación

Antes de empezar a instalar esta unidad, lea atentamente todas las instrucciones.

Para un buen ajuste:

Para facilitar la instalación, el producto debe instalarse a temperaturas superiores a 72 °F (22 °C).

Por debajo de esta temperatura, la tela puede encogerse una pulgada o más, lo que dificultaría su ajuste al vehículo.

Es normal que la tela se contraiga o arrugue cuando está guardada en la caja de empaque. A los pocos días después de la instalación, la tela se relajará y las arrugas desaparecerán.



ADVERTENCIA

Este producto se diseñó principalmente para mejorar la apariencia del vehículo y proteger a los ocupantes de las condiciones climáticas comunes. De ninguna manera piense que los componentes de este producto pueden servir como medio de contención para los ocupantes del vehículo o que pueden protegerlos contra lesiones o la muerte en caso de accidente. Este producto no protegerá a los ocupantes contra caídas de objetos. Nunca conduzca este vehículo fuera de las especificaciones del fabricante.

USE LOS CINTURONES DE SEGURIDAD EN TODO MOMENTO

Lea y siga con precisión todas las instrucciones de instalación que se proporcionan para instalar este producto. Si no lo hace, podría producirse un mal ajuste que colocaría a los ocupantes del vehículo en una situación potencialmente peligrosa.



PRECAUCIÓN

Debe usar gafas protectoras en todo momento durante la instalación de este producto.

Conseils pour l'installation

Lire toutes les instructions au complet avant de commencer l'installation de cet assemblage.

Pour un ajustement sans problème :

Afin de faciliter l'installation, ce produit doit être installé à des températures au-dessus de 72 °F (22 °C).

Sous cette température, le tissu peut rétrécir d'un pouce (2,5 cm) ou plus, ce qui rendra l'ajustement sur le véhicule difficile.

Il est normal que le tissu rétrécisse et plisse pendant qu'il est dans la boîte d'expédition. En quelques jours après l'installation, le tissu se détendra et les plis disparaîtront.



AVERTISSEMENT

Ce produit est conçu principalement pour améliorer l'apparence du véhicule et pour protéger les occupants des conditions météorologiques usuelles. Ne jamais se fier aux composants de ce produit pour se protéger de blessures ou de la mort en cas d'accident. Ce produit ne protégera pas les occupants des chutes d'objets. Ne jamais utiliser le véhicule au-delà des caractéristiques techniques indiquées par le fabricant.

PORTER UNE CEINTURE DE SÉCURITÉ EN TOUT TEMPS

Lire et suivre, très fidèlement, toutes les instructions d'installation fournies lors de l'installation de ce produit. Ne pas suivre cette consigne peut causer une installation inadéquate et mettre les occupants du véhicule dans une situation potentiellement dangereuse.



MISE EN GARDE

Des lunettes de sécurité doivent être portées en tout temps lors de l'installation de ce produit.




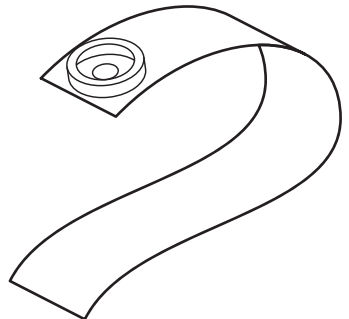


Installation Instructions Header Style Safari Bikini Top

Vehicle Application:
Jeep® JT Gladiator 2019-Current
Part Number 52614 (Requires 51244)

Parts List

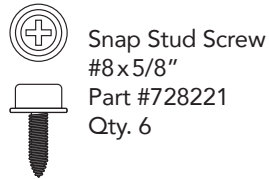
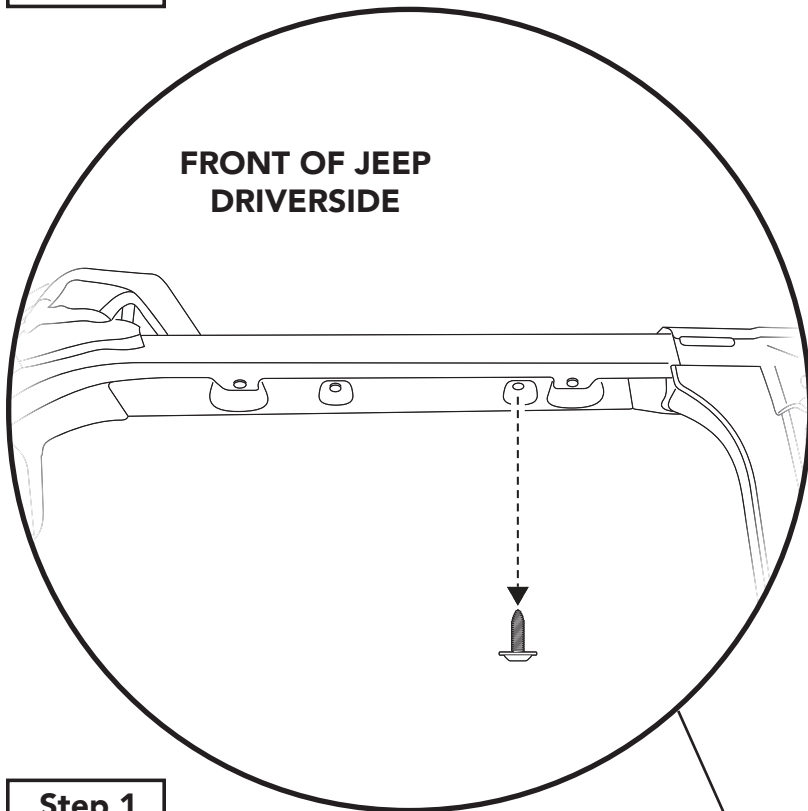
- Required parts for installation - Page number in Installation Guide

Sections 1 to 5	Snap Stud Screws, Snap Straps	Pages 4 to 8 of Guide	
 <p>Safari Style Bikini Top Qty. 1</p>	 <p>Snap Stud Screw #8x5/8" Part #728221 Qty. 8</p>	 <p>Tail Clip Part #338.24 Qty. 8</p>	 <p>Snap Straps 2 Long Part # 590.38 6 Short Part # 590.36</p>

Step 1

Hardware

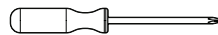
Step 2



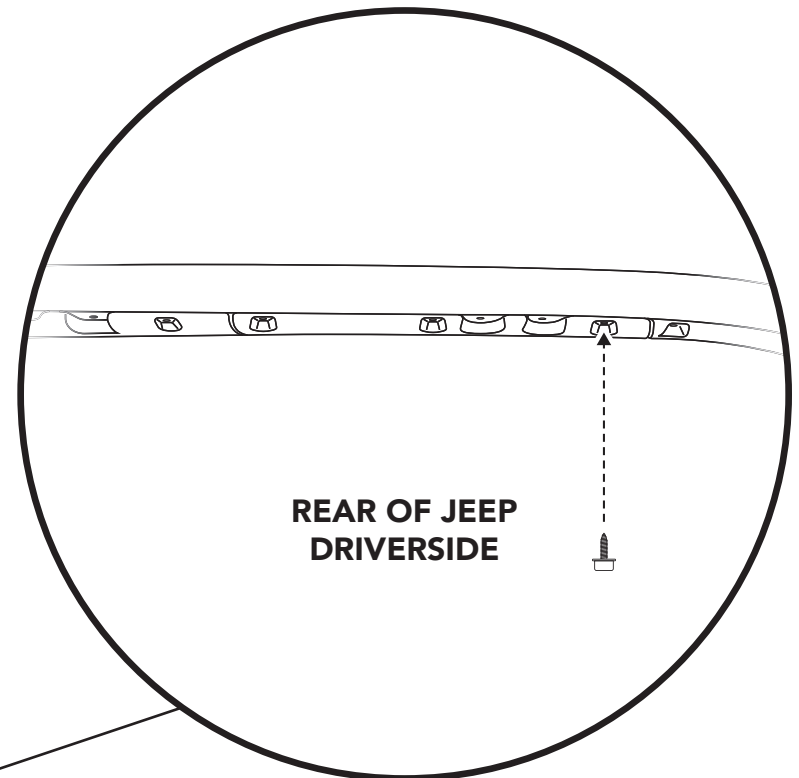
Tools



T25 - Torx Driver



Phillips Screwdriver



Step 1

Remove the Torx screw from the underside of the front sport bar in the location shown.

(Driver) side shown. Remove this screw on both sides of the Jeep.

Replace the screws you removed with Snap Stud Screws #728221 in both locations.



Step 2

Remove two Torx screws from the underside of the rear sport bar in the locations shown.

Left (driver) side shown. Remove these two screws on both sides of the Jeep.

Replace the screws you removed with Snap Stud Screws #728221 in all four locations.

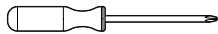
Step 1

Hardware

Tools



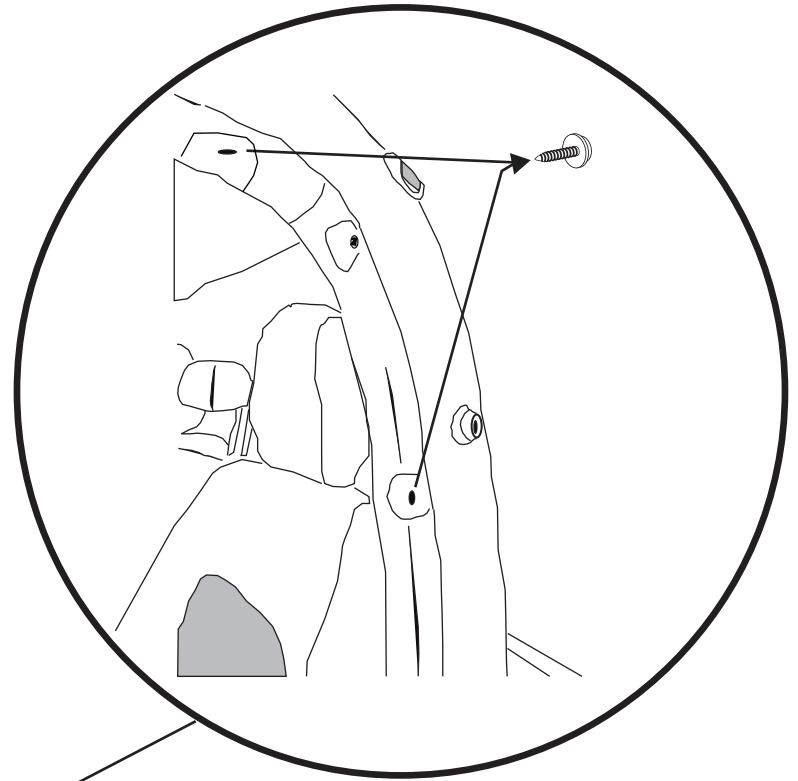
T25 - Torx Driver



Phillips Screwdriver



Snap Stud Screw
#8x5/8"
Part #728221
Qty. 2



Step 1

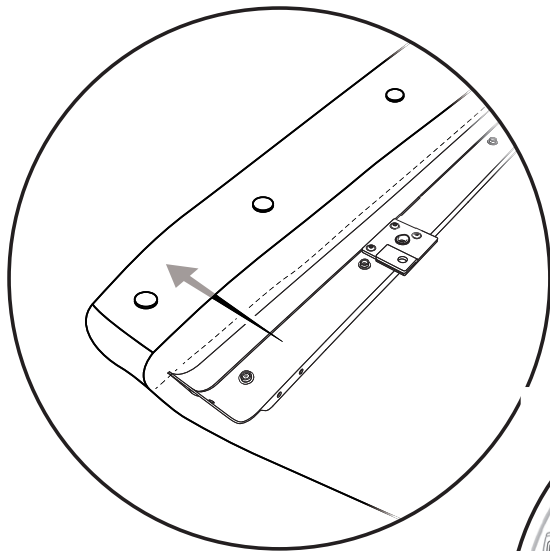
Remove the Torx screw from the interior side of the rear sport bar downtube in the location shown.

Left (driver) side shown. Remove this screw from the downtube on both sides of the Jeep.

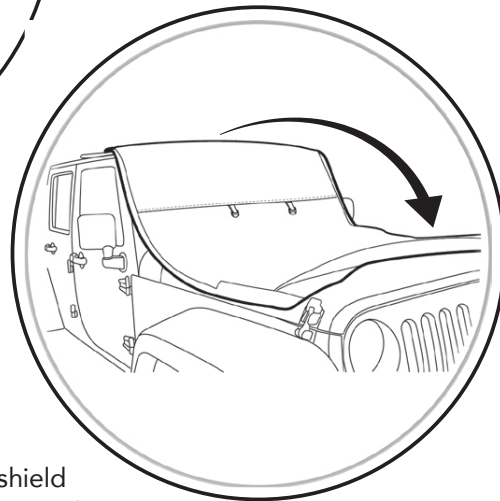
Replace the screws you removed with Snap Stud Screws #728221 in both locations.



Step 1



Windshield Header Channel #51244 Sold Separately



Step 1

Slip your bikini top over the #51244 Windshield Header Channel (Sold Separately) and snap in place with 8 snaps.

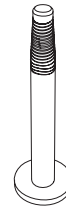
Lay the Header Channel with Bikini on the Jeep windshield, drape the Bikini facing up on the Jeep hood. This will give you clear access to the header screw attachment areas.

Tools

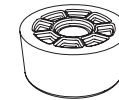


T40 Torx Drivers

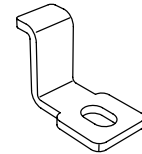
Hardware



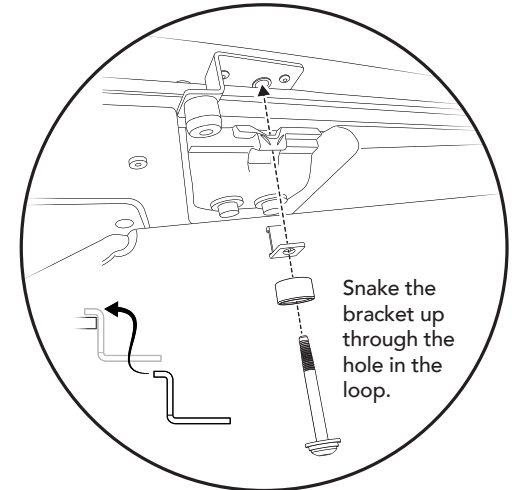
M8 x 1.25 X 80mm Button Head Socket Cap Screw/Washer Part #532.23 Qty. 2



Bolt Spacer Bezel Part #574.05 Qty. 2



Latch Receiver Z-Bracket Part #596.45 Qty. 2



Snake the bracket up through the hole in the loop.

Step 2

Secure the Bikini Windshield Header Channel #423.45 to the Jeep windshield header, using one (1) Latch Receiver Bracket #596.45, one (1) M8x1.25x80mm Button Head Socket Cap Screw/Washer #532.23, and one Bolt Spacer Bezel #574.05 per side.

The Latch Receiver Bracket and the M8x1.25x80mm long Screw/Washer with additional M8 washer and Spacer Bezel are attached from the underside to secure the Latch Receiver Bracket to the windshield header.

The Latch Receiver Bracket must be snaked up through the hole in the windshield header latch loop, so that the lip at the top of the bracket catches the horizontal edge on the header.

DO NOT OVER TIGHTEN.

Step 1

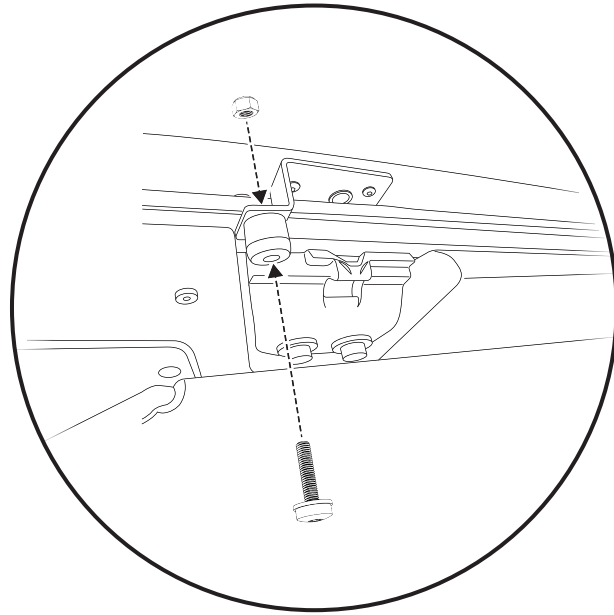
423.45

532.23

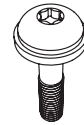
596.45

574.05

Hardware



M8x1.25 Nylon Lock Nut
Part #434.12
Qty. 2



M8x1.25x38
Button Head
Socket Cap
Screw/Washer
Part #532.17
Qty. 2

Tools



T50
Torx Drivers

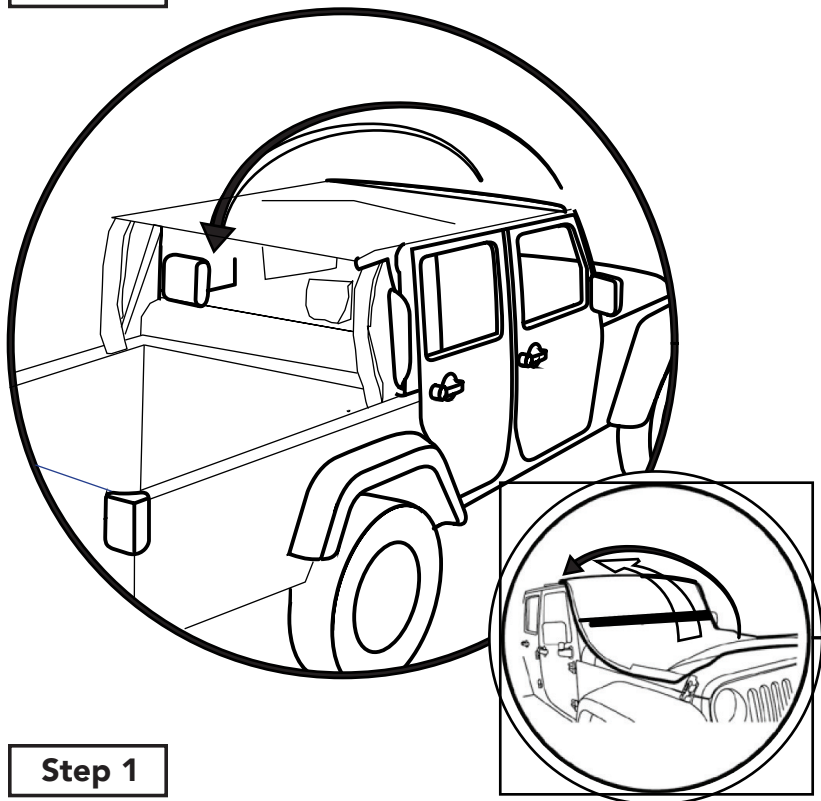


13mm Wrench

Step 1

Attach the M8x1.25x38 Button Head Socket Cap Screws #532.17 from the underside, and secure the pre-attached brackets on the Header Channel to the windshield header, using one (1) M8 Nylon Lock Nut #434.12 on top of each pre-attached bracket. Tighten after all screws are in.

Step 1

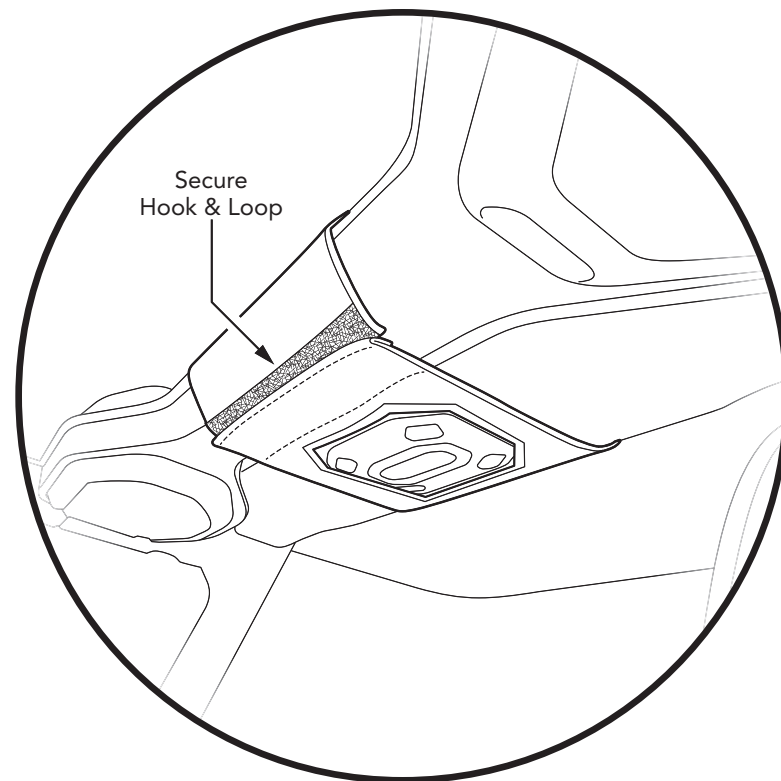


Step 1

Drape the Top Fabric back across the top of the Jeep sport bars.



Step 2



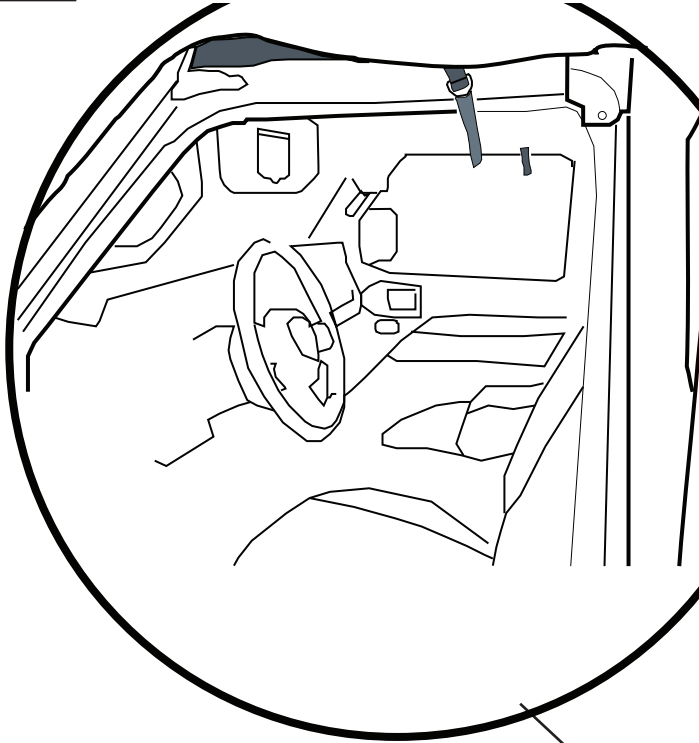
Step 2

Wrap the Soundbar Flap around the soundbar, and secure using the Hook & Loop strip.

Make sure that all lights on the underside of the soundbar are exposed.

Section 6 Attach Straps to Buckles; Snap Straps to Snap Studs

Step 1



Hardware

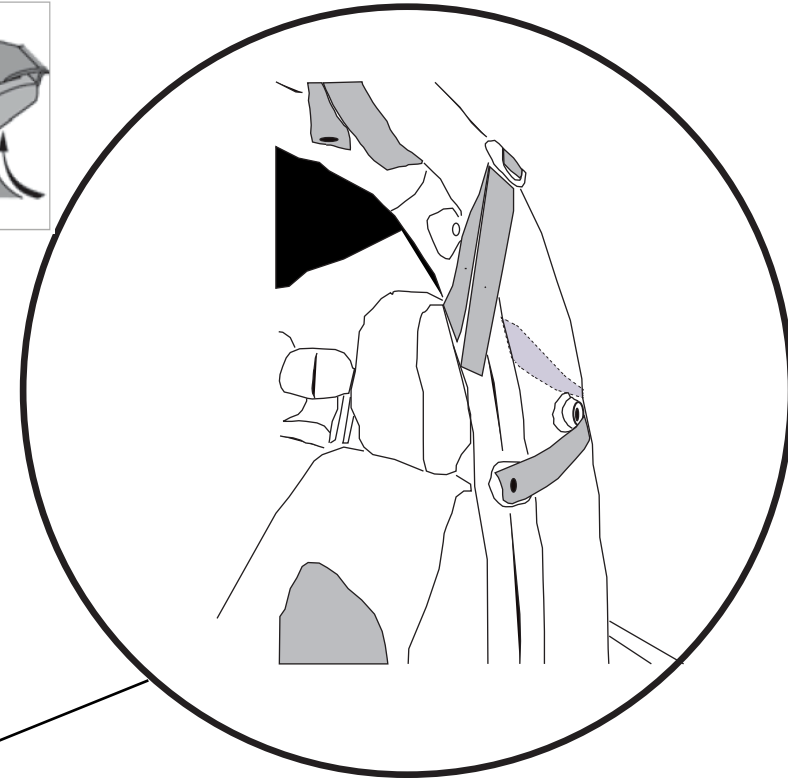


Snap Straps
2 Long Part # 590.38
6 Short Part # 590.36



Tail Clip
Part #338.24
Qty. 8

Step 2



Step 1

Attach the eight (8) straps to the buckles in the manner shown.

Long Straps go at the back corners of the top.

When straps are hanging down, the socket side of the snaps should be on the inside.

Wrap side straps over the outside of the Sport Bar, and snap to Snap Studs - installed in Sections 1 and 2 - on the underside of the Sport bar on both sides of the Jeep.



Step 2

Wrap the rear (long) straps around each sport bar downtube as shown.

The strap will first go to the exterior side of the Jeep, then wrap underneath the downtube, and snap to the snap stud installed in Section 2, Step 1.

Now snug all of the straps, starting with the front two, then the rear two, then the four in the middle of the Jeep.



Installation Instructions Safari Style Sun Bikini Top

Vehicle Application:
Jeep® JT Gladiator 2019-Current
Part Number 52614 (Requires 51244)

WHAT BESTOP WARRANTS

Subject to the terms and conditions of sale, including any terms and conditions set forth by Bestop, Inc. (“Bestop” or “us” or “we”) in our then-current terms of sale on our website (collectively, the “Terms”), Bestop represents and warrants that: the covered products listed in the “Covered Products and Warranty Periods” section (a “Product”) will substantially be free from defects in materials and workmanship for the specified warranty periods set forth in that section.

THE WARRANTY IS LIMITED AND CONDITIONAL

This warranty applies to the original purchaser of the Product only. The warranty is valid only as long as the original retail purchaser owns the vehicle upon which the Product is installed. The warranty expires should the Product be removed from the original vehicle or if the original vehicle is transferred to another owner.

This warranty is not transferable or assignable. The warranty does not apply to Product bought from auction-style or price-bid websites.

THE LIMITED WARRANTY AND STATED REMEDIES ARE SOLE AND EXCLUSIVE AND IN LIEU OF ALL OTHER WARRANTIES AND REMEDIES, AND COMPANY EXPRESSLY DISCLAIMS ALL IMPLIED OR STATUTORY OR OTHER WARRANTIES, INCLUDING WITHOUT LIMITATIONS WARRANTIES OF MERCHANTABILITY, NON-INFRINGEMENT OR FITNESS FOR A PARTICULAR PURPOSE. IN NO EVENT WILL COMPANY BE LIABLE FOR ANY SPECIAL, INCIDENTAL, CONSEQUENTIAL, PUNITIVE, INDIRECT OR EXEMPLARY DAMAGES OF ANY KIND, INCLUDING LOST PROFITS OR REVENUE, HOWEVER CAUSED, WHETHER FOR BREACH OR REPUDIATION OF CONTRACT, TORT, BREACH OF WARRANTY, NEGLIGENCE, OR OTHERWISE, WHETHER OR NOT COMPANY WAS ADVISED OF THE POSSIBILITY OF SUCH LOSS OR DAMAGES.

Some states do not allow exclusion or limitation, so this may not apply to you. This warranty gives you specific legal rights, and you may have other rights which vary from state to state.

EXCLUSIONS TO THE WARRANTY

The Limited Warranty excludes, and Bestop is not liable in any way for any warranty claims, damages, or defects related to:

- Misuse, abuse, accidents, vandalism, negligence, fire, or improper installation or modification, or improper or inadequate maintenance;
- Failure to comply with any Product documentation, Bestop instructions, or applicable law or regulations; use in extreme conditions
- Force Majeure including but not limited to, earthquake, hurricane, tornado, flooding, or other disasters natural or man-made, civil unrest, strikes, declared or undeclared war, or lack of performance by, or discontinued product of, supply chain partners whose products, software, operations or management is beyond the control of Bestop;
- Damage resulting in breakage (including without limitation, spontaneous breakage, accidental breakage or breakage by any other means) of a Product or any component part;
- Damage to vinyl windows due to misuse, or cracking due to varying weather conditions.



Installation Instructions Safari Style Sun Bikini Top

Vehicle Application:
Jeep® JT Gladiator 2019-Current
Part Number 52614 (Requires 51244)

COVERED PRODUCTS AND WARRANTY PERIODS: The warranty time periods are as follows for Products manufactured by Bestop:

BESTOP® LIMITED LIFETIME WARRANTY

Trektop® Pro Twill Fabric Top Sunrider® for Hardtop Twill Fabric Top
Trektop® NX Glide Twill Fabric Top Replace-a-Top™ Twill Fabric Top
Trektop® NX Twill Fabric Top Supertop® NX Twill Fabric Top
EZFold™ Soft Tonneaus Floor & Cargo Liners
ZipRail™ Soft Tonneaus Pet Barriers
EZRoll™ Soft Tonneaus

BESTOP® 5-YEAR LIMITED WARRANTY

Trektop® NX Glide™ Top (non-Twill) Sunrider® for Hardtop (non-Twill) Replace-a-Top™ Top (non-Twill) Trektop® NX Top (non-Twill)
Sailcloth Replace-a-Top™ Supertop® NX Top (non-Twill)
Tigertop™ and Halftop™ Supertop® Classic Soft Top Sunrider® Complete Soft Top Supertop® for Truck
EZ Fold Hard Tonneau

BESTOP® 3-YEAR/100K MILES LIMITED WARRANTY

Powerboard® & Powerboard® NX
Trekstep®, Side Mount
Trekstep®, Rear Mount

BESTOP® 3-YEAR LIMITED WARRANTY

Pavement Ends Sprint Top

BESTOP® 2-YEAR LIMITED WARRANTY

Trektop® Classic Soft Top
RoughRider™ Soft Storage

BESTOP® 1-YEAR LIMITED WARRANTY

All other Bestop® & Pavement Ends™ products not specified above.
