



Installation Instructions Supertop NX Twill

Vehicle Application:
Jeep Wrangler JK
2007-2018
Part Number 54822

Installation Tips

Before you begin installing your new Supertop NX, please read all the instructions thoroughly.

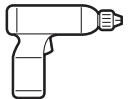





For a smooth fit:


For easier installation, the top should be installed at a temperature above 72° F. Below this temperature, the fabric may contract an inch or more, making it difficult to fit the vehicle.

It is normal for the fabric to contract and wrinkle when stored in the shipping carton. Within a few days after installation, the fabric will relax and the wrinkles will disappear.

CAUTION Safety glasses should be worn at all times when installing this product.



Tools			
			
Drill-Driver & #2 Phillips Bit	#2 Phillips Screwdriver	T30 Torx Driver	Vise-Grips
			
	Adjustable Wrench	Safety Glasses	

Installation Time
 4 Hours

Skill Level
<div style="display: flex; justify-content: space-around; align-items: center;"> <div style="border: 1px solid black; border-radius: 50%; width: 30px; height: 30px; display: flex; align-items: center; justify-content: center;">1</div> <div style="border: 1px solid black; border-radius: 50%; width: 30px; height: 30px; display: flex; align-items: center; justify-content: center;">2</div> <div style="border: 2px solid black; border-radius: 50%; width: 30px; height: 30px; display: flex; align-items: center; justify-content: center;">3</div> <div style="border: 1px solid black; border-radius: 50%; width: 30px; height: 30px; display: flex; align-items: center; justify-content: center;">4</div> </div> <p>3 - Moderately Difficult</p>

WARNING This product is designed primarily to enhance the appearance of the vehicle and to shield the occupants from ordinary weather conditions. Do not rely in any way on the components of this product to contain occupants within the vehicle, or to protect against injury or death in the event of an accident. This product will not protect the occupants from falling objects. Never operate the vehicle in excess of manufacturer's specifications.

WEAR SEAT BELTS AT ALL TIMES

Read and follow, precisely, all installation instructions provided when installing this product. Failure to do so may result in a poor fit and could place occupants of the vehicle in a potentially dangerous situation.



Installation Instructions Supertop NX Twill

Vehicle Application:
Jeep Wrangler JK
2007-2018
Part Number 54822

Sugerencias de Instalación

Antes de empezar a instalar esta unidad, lea atentamente todas las instrucciones.

Para un buen ajuste:

Para facilitar la instalación, el producto debe instalarse a temperaturas superiores a 72 °F (22 °C).

Por debajo de esta temperatura, la tela puede encogerse una pulgada o más, lo que dificultaría su ajuste al vehículo.

Es normal que la tela se contraiga o arrugue cuando está guardada en la caja de empaque. A los pocos días después de la instalación, la tela se relajará y las arrugas desaparecerán.



ADVERTENCIA

Este producto se diseñó principalmente para mejorar la apariencia del vehículo y proteger a los ocupantes de las condiciones climáticas comunes. De ninguna manera piense que los componentes de este producto pueden servir como medio de contención para los ocupantes del vehículo o que pueden protegerlos contra lesiones o la muerte en caso de accidente. Este producto no protegerá a los ocupantes contra caídas de objetos. Nunca conduzca este vehículo fuera de las especificaciones del fabricante.

USE LOS CINTURONES DE SEGURIDAD EN TODO MOMENTO

Lea y siga con precisión todas las instrucciones de instalación que se proporcionan para instalar este producto. Si no lo hace, podría producirse un mal ajuste que colocaría a los ocupantes del vehículo en una situación potencialmente peligrosa.



PRECAUCIÓN

Debe usar gafas protectoras en todo momento durante la instalación de este producto.

Conseils pour l'installation

Lire toutes les instructions au complet avant de commencer l'installation de cet assemblage.

Pour un ajustement sans problème :

Afin de faciliter l'installation, ce produit doit être installé à des températures au-dessus de 72 °F (22 °C).

Sous cette température, le tissu peut rétrécir d'un pouce (2,5 cm) ou plus, ce qui rendra l'ajustement sur le véhicule difficile.

Il est normal que le tissu rétrécisse et plisse pendant qu'il est dans la boîte d'expédition. En quelques jours après l'installation, le tissu se détendra et les plis disparaîtront.



AVERTISSEMENT

Ce produit est conçu principalement pour améliorer l'apparence du véhicule et pour protéger les occupants des conditions météorologiques usuelles. Ne jamais se fier aux composants de ce produit pour se protéger de blessures ou de la mort en cas d'accident. Ce produit ne protégera pas les occupants des chutes d'objets. Ne jamais utiliser le véhicule au-delà des caractéristiques techniques indiquées par le fabricant.

PORTER UNE CEINTURE DE SÉCURITÉ EN TOUT TEMPS

Lire et suivre, très fidèlement, toutes les instructions d'installation fournies lors de l'installation de ce produit. Ne pas suivre cette consigne peut causer une installation inadéquate et mettre les occupants du véhicule dans une situation potentiellement dangereuse.



MISE EN GARDE

Des lunettes de sécurité doivent être portées en tout temps lors de l'installation de ce produit.


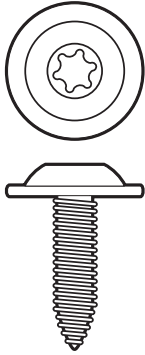

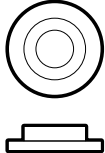




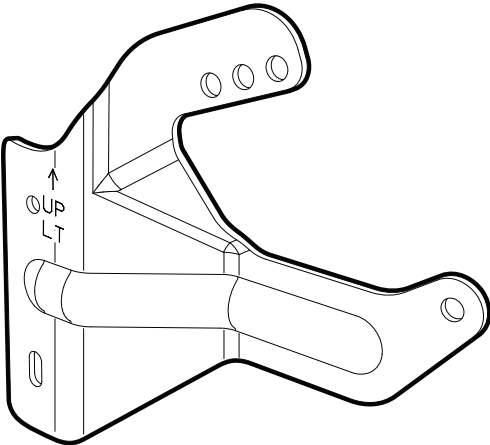
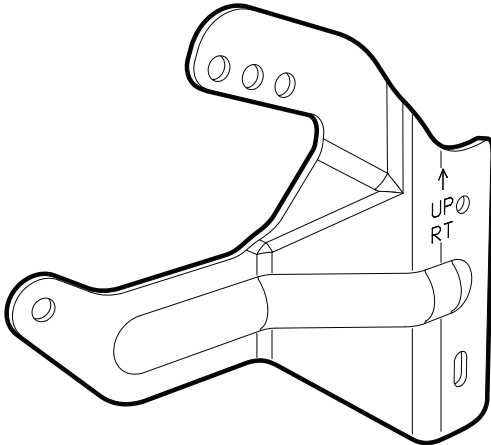
Installation Instructions Supertop NX Twill

Vehicle Application:
Jeep Wrangler JK
2007-2018
Part Number 54822

Parts List

- Required parts for each installation section - Page number in Installation Guide

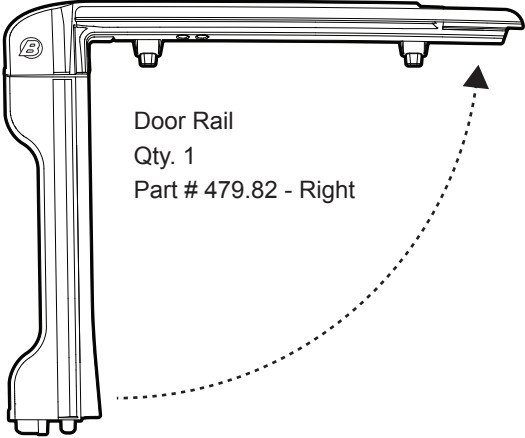
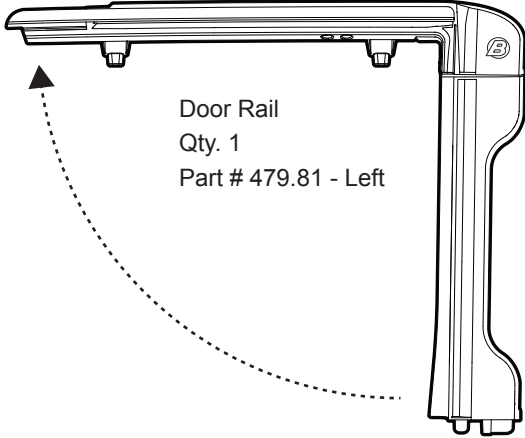
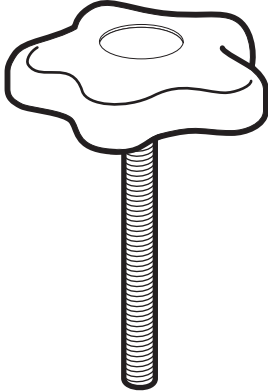
All Sections	Hardware and Fasteners				Multiple Pages
 <p>M5 x 30 Screw Qty. 2 Part # 308.87</p>	 <p>Bow Mount Screw Qty. 4 Part # 308.64</p>	 <p>Pan Head Washer Screw Qty. 23 Part # 393.79</p>	 <p>Plastic Bushing Qty. 4 Part # 473.40</p>	 <p>M5 Nylock Nut Qty. 2 Part # 308.62</p>	 <p>Self-Drill Screw Qty. 2 Part # 312.09</p>


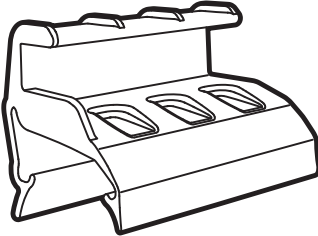
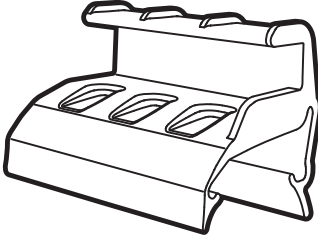
Section 1	Bow Mount Brackets	Page 6 of Guide
 <p>Bow Mount Bracket Qty. 1 Part # 482.89 - Left</p>	 <p>Bow Mount Bracket Qty. 1 Part # 482.88 - Right</p>	



Parts List

- Required parts for each installation section - Page number in Installation Guide

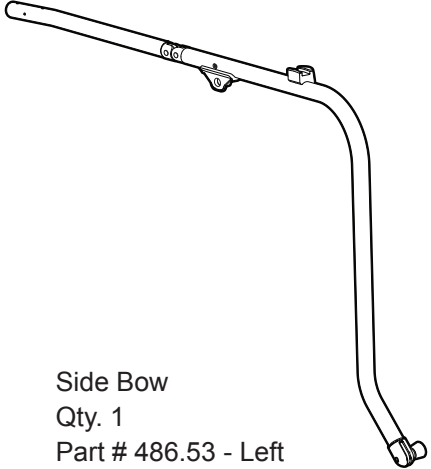
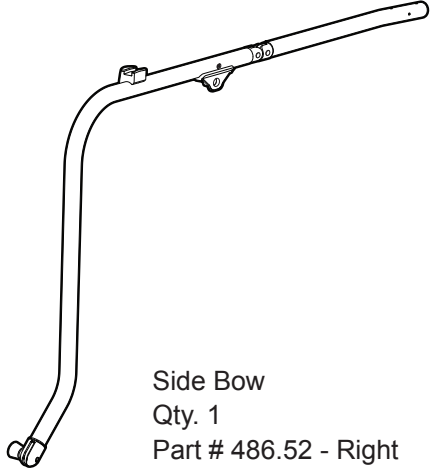
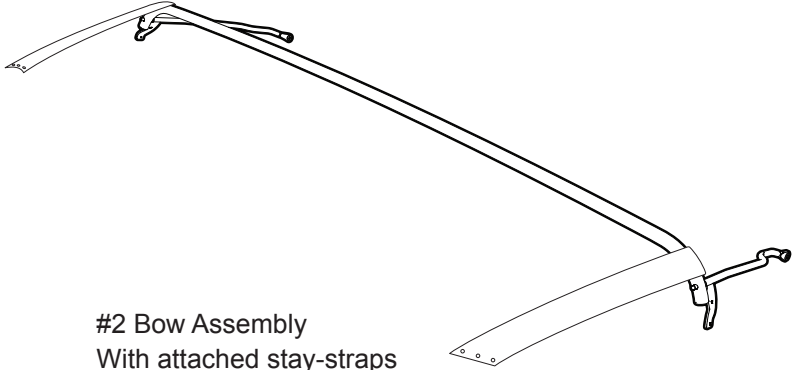
Section 2 Door Rails and Knobs		Pages 7 of Guide
 <p>Door Rail Qty. 1 Part # 479.82 - Right</p>	 <p>Door Rail Qty. 1 Part # 479.81 - Left</p>	 <p>M8 x 75mm Knob Qty. 4 Part # 478.90</p>

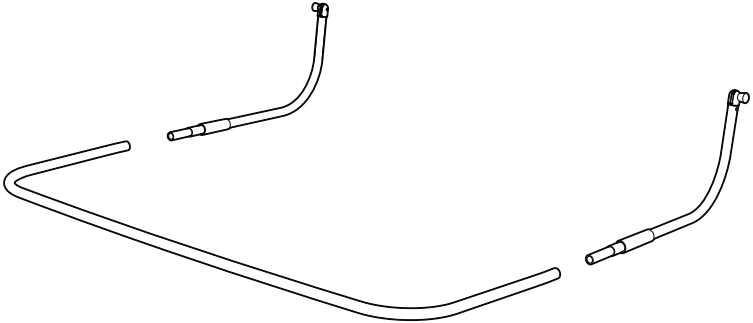

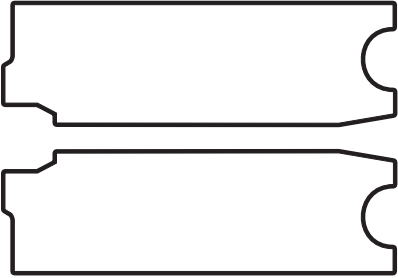
Sections 3 & 4 Top Arch & Tailgate Bar Mounts		Pages 8 & 9 of Guide
 <p>Top Arch Qty. 1 Part #486.55</p>	 <p>Tailgate Bar Mount Qty. 1 Part # 488.47 - Left</p>	 <p>Tailgate Bar Mount Qty. 1 Part # 488.46 - Right</p>



Parts List

- Required parts for each installation section - Page number in Installation Guide

Sections 5 through 8	Side Bows and #2 Bow Assembly	Pages 10 through 14 of Guide
 <p>Side Bow Qty. 1 Part # 486.53 - Left</p>	 <p>Side Bow Qty. 1 Part # 486.52 - Right</p>	 <p>#2 Bow Assembly With attached stay-strings Qty. 1 Part # 459.30</p>

Sections 9 & 14	Rear Bow Assembly and Foam Seals & Foam Strips		Pages 15 & 20 of Guide
 <p>Rear Bow Assembly Qty. 1 (3 pieces) Part # 486.54</p>	 <p>Foam Tape Strips Qty. 2 Part # 417.43</p>	 <p>Foam Seals Qty. 1 per side Part # 457.76 (R) & 457.77(L)</p>	



Installation Instructions Supertop NX Twill

Vehicle Application:
Jeep Wrangler JK
2007-2018
Part Number 54822

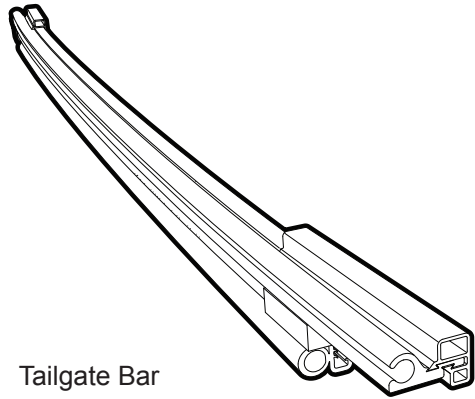
Parts List

- Required parts for each installation section - Page number in Installation Guide

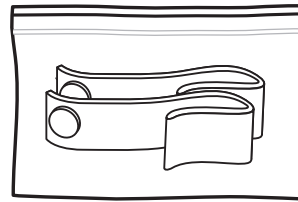
Sections 17 through 21

Tailgate Bar, Strap Kit, Fabric & Windows

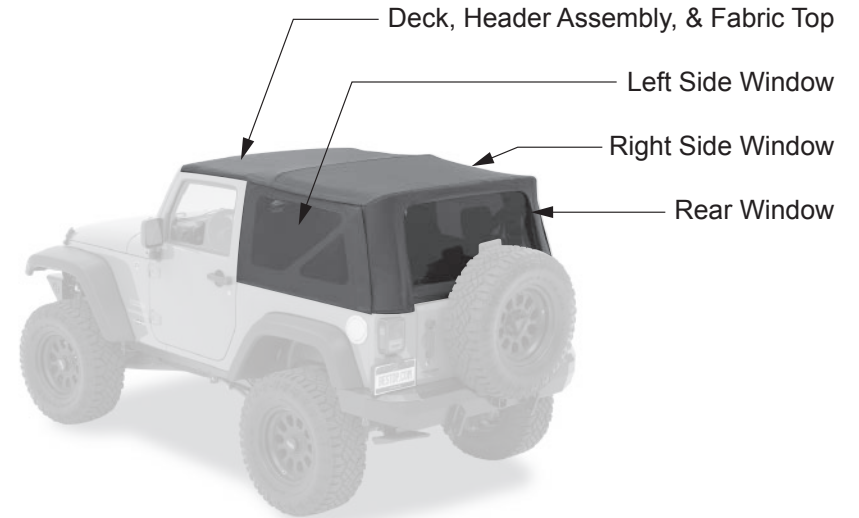
Pages 23 through 27 of Guide



Tailgate Bar
Qty. 1
Part #489.46

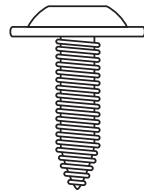
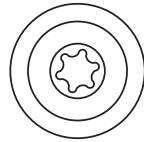
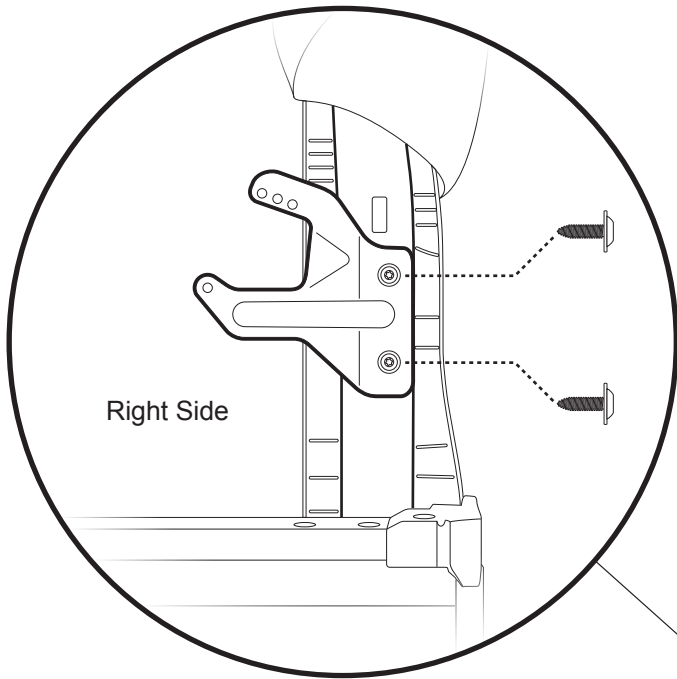


Strap Kit
Qty. 1
Part #386.90

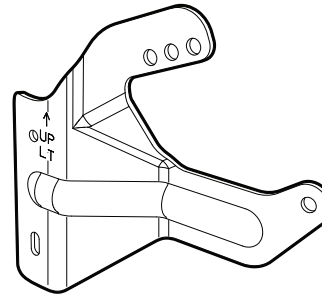


Step 1 482.88 (Right)

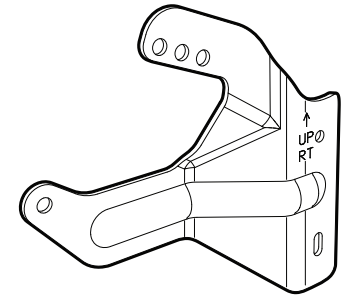
Hardware



Bow Mount Screw
Qty. 2 per side
Part # 308.64



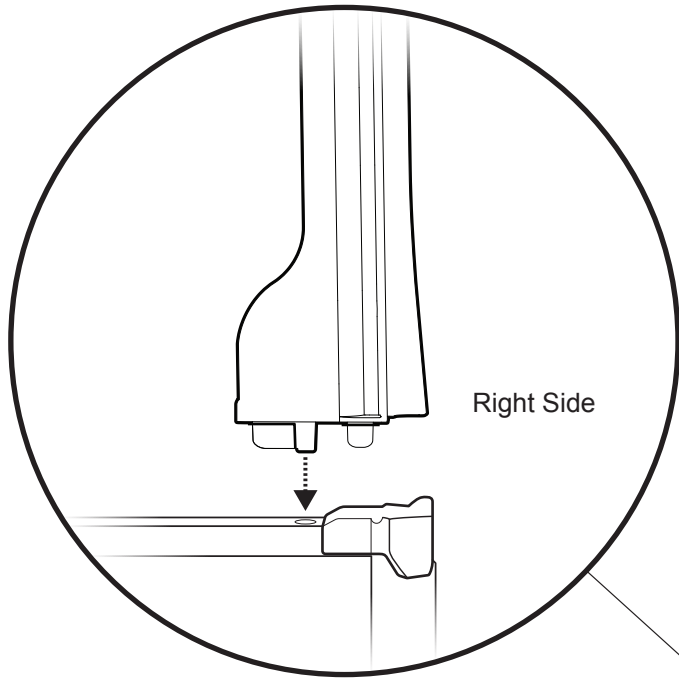
Bow Mount Bracket
Qty. 1
Part # 482.89 - Left



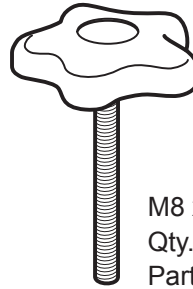
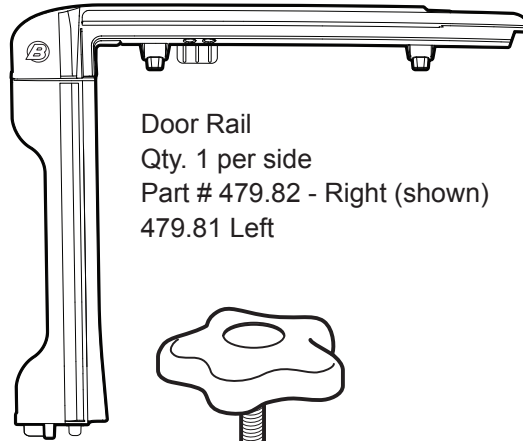
Bow Mount Bracket
Qty. 1
Part # 482.88 - Right



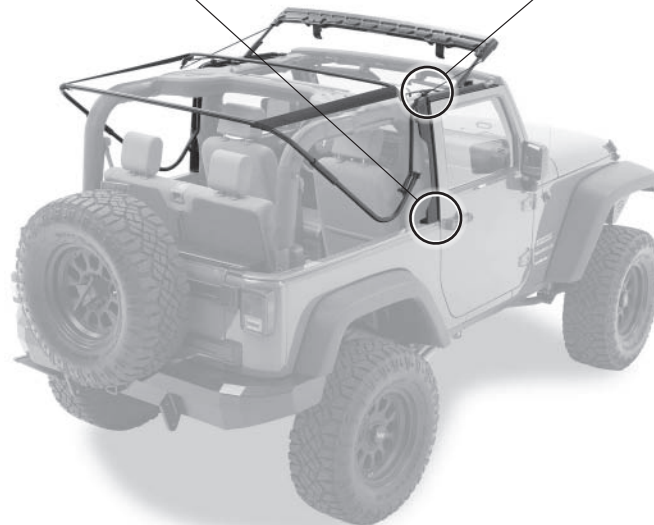
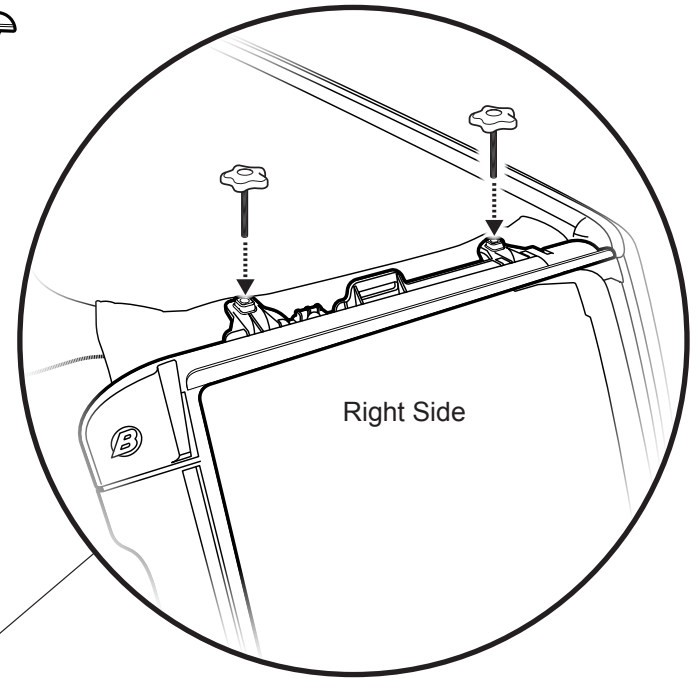
Step 1 479.82 assembly (right)



Hardware



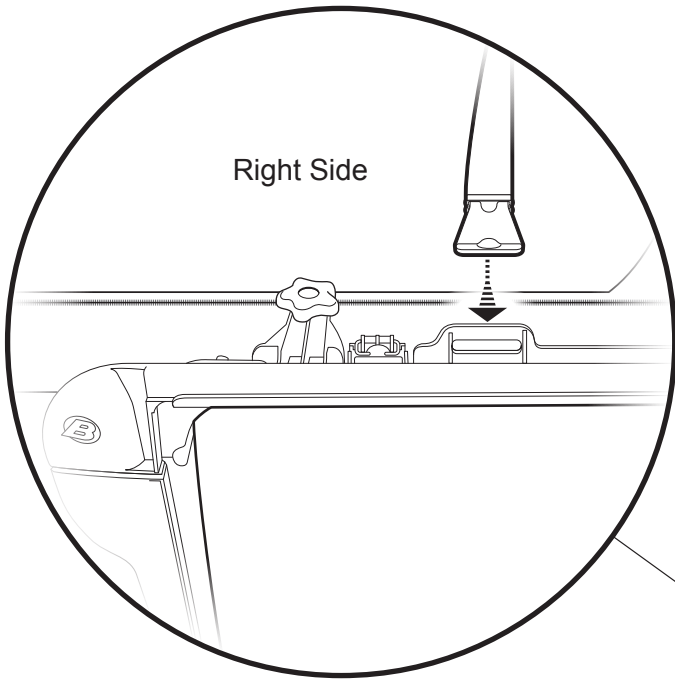
Step 2 478.90 Knobs



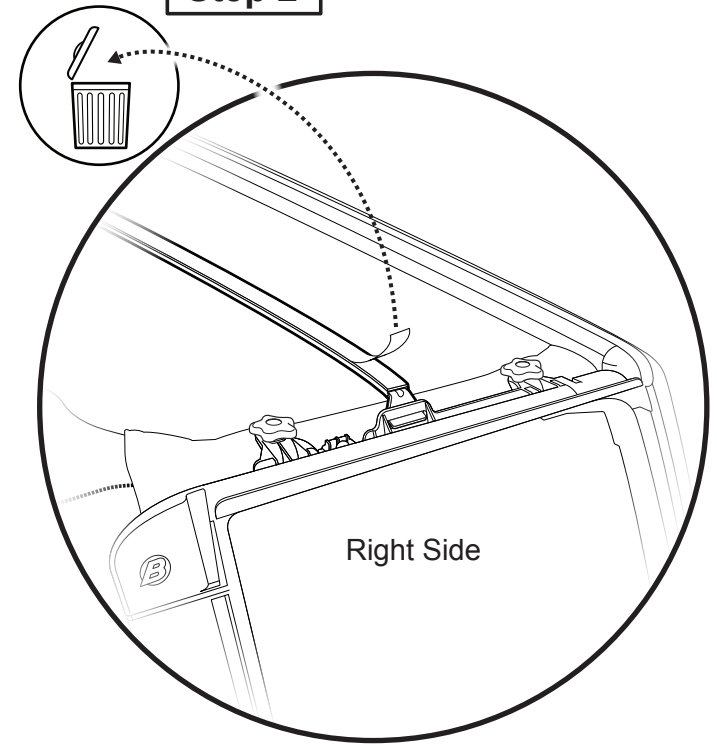
Step 1 486.55 Top Arch

Hardware

Step 2



Top Arch
Qty. 1
Part #486.55

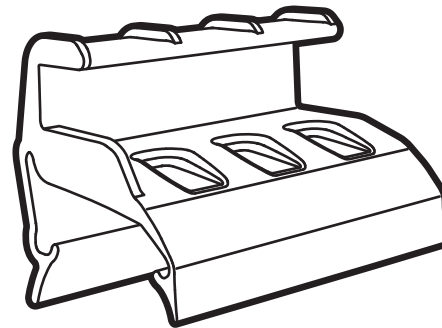
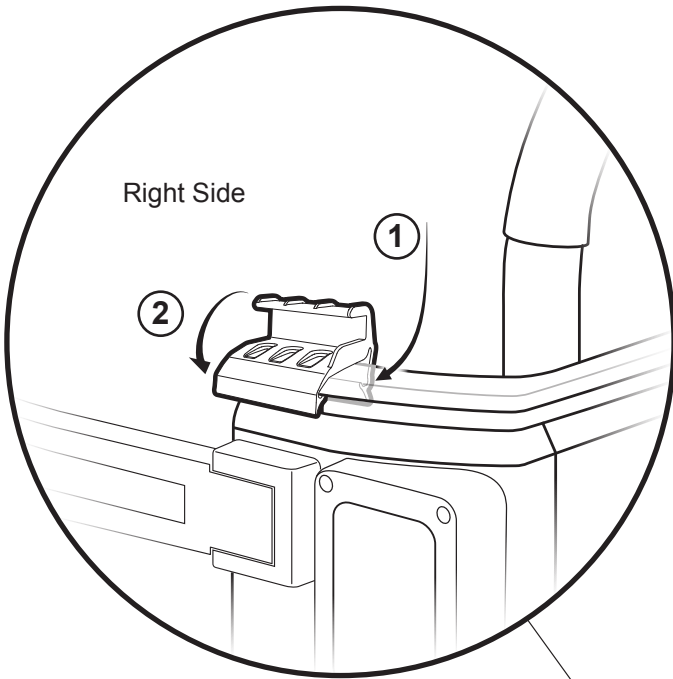


486.55

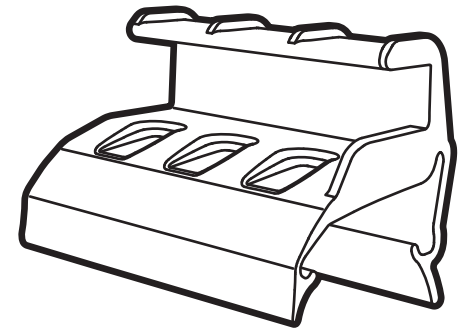


Step 1 488.46 (Right)

Hardware



Tailgate Bar Mount - Left
Qty. 1
Part # 488.47

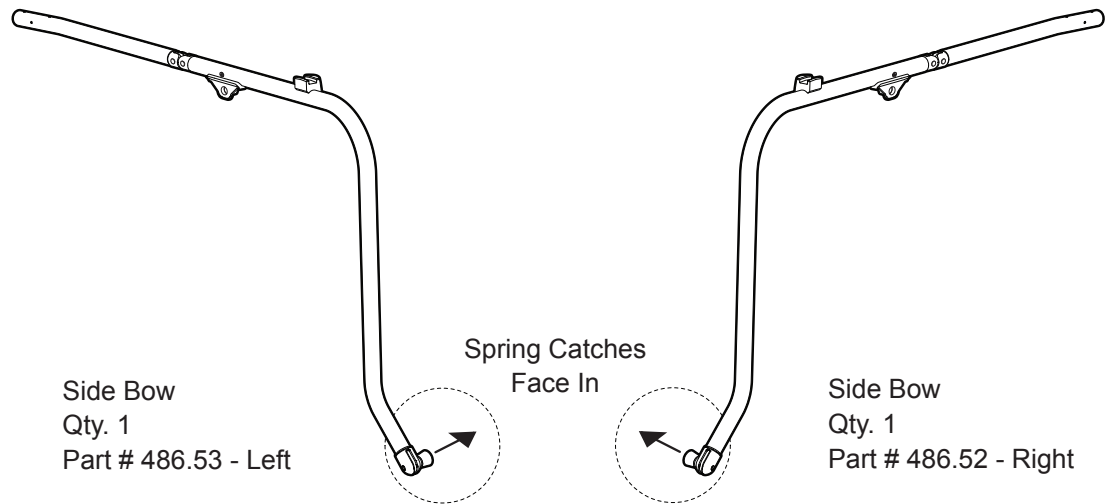
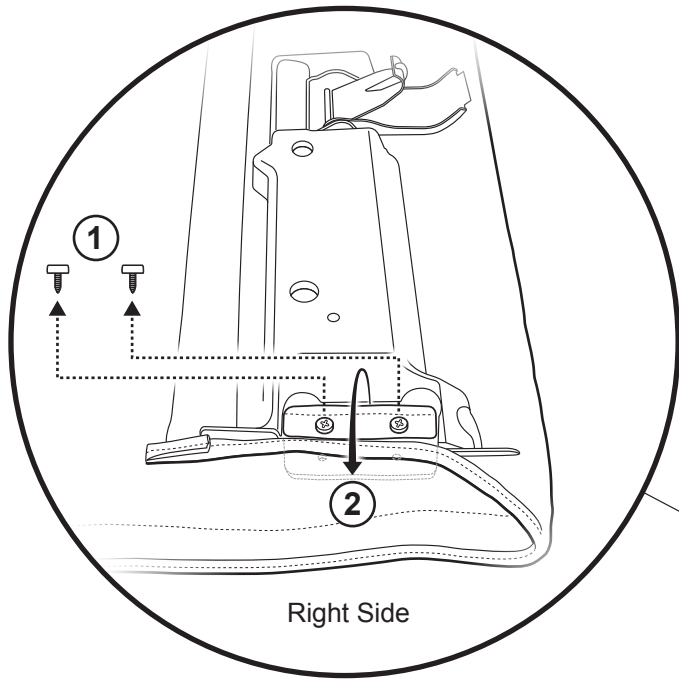


Tailgate Bar Mount - Right
Qty. 1
Part # 488.46

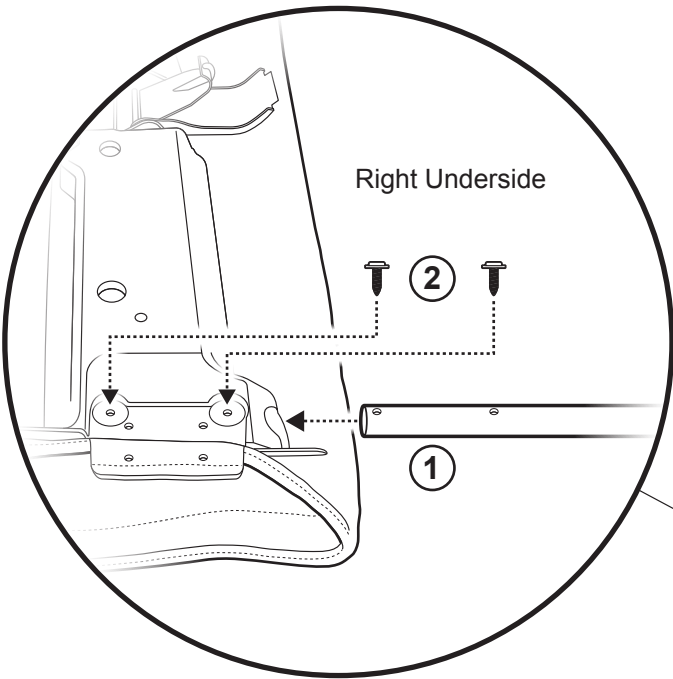


Step 1 Header/Fabric Assembly

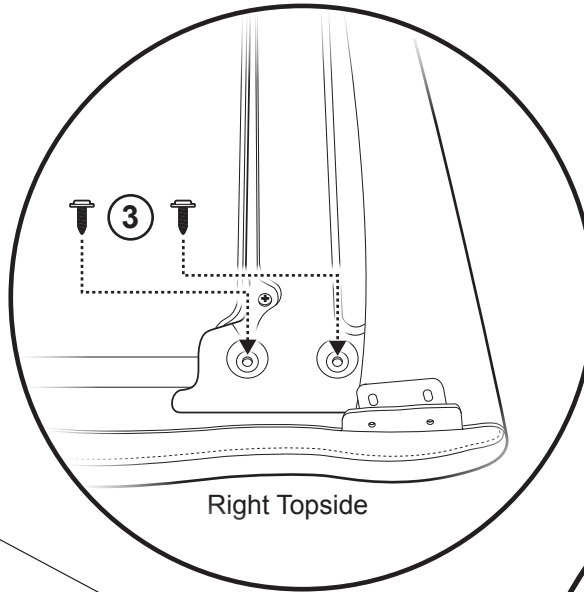
Hardware



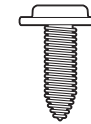
Step 2 486.52 (Right)



Step 2 (cont.)

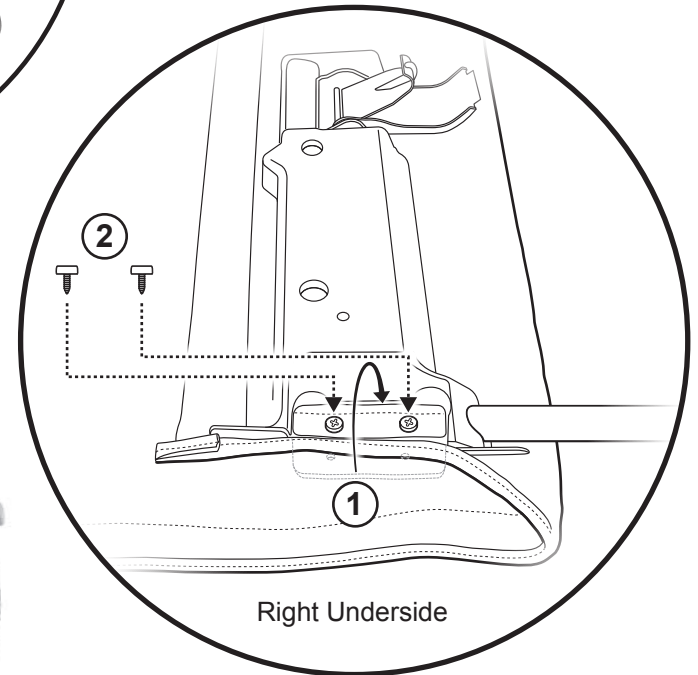


Hardware



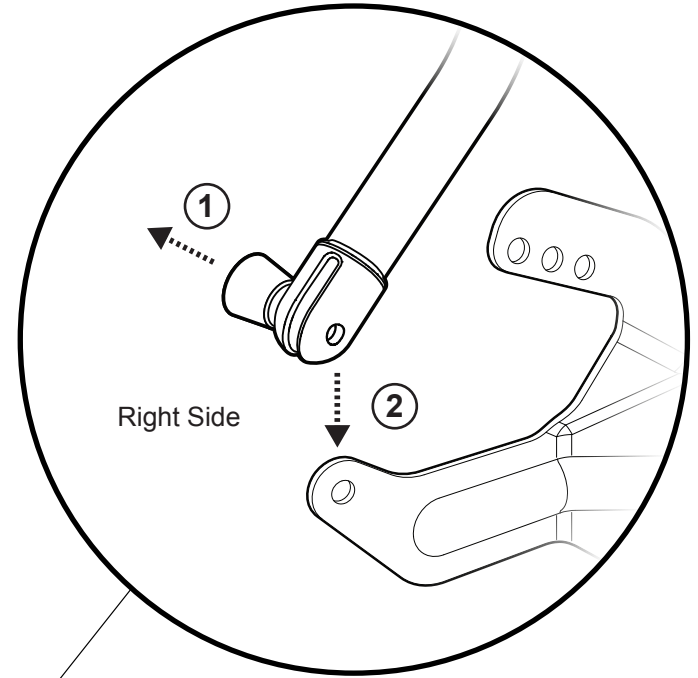
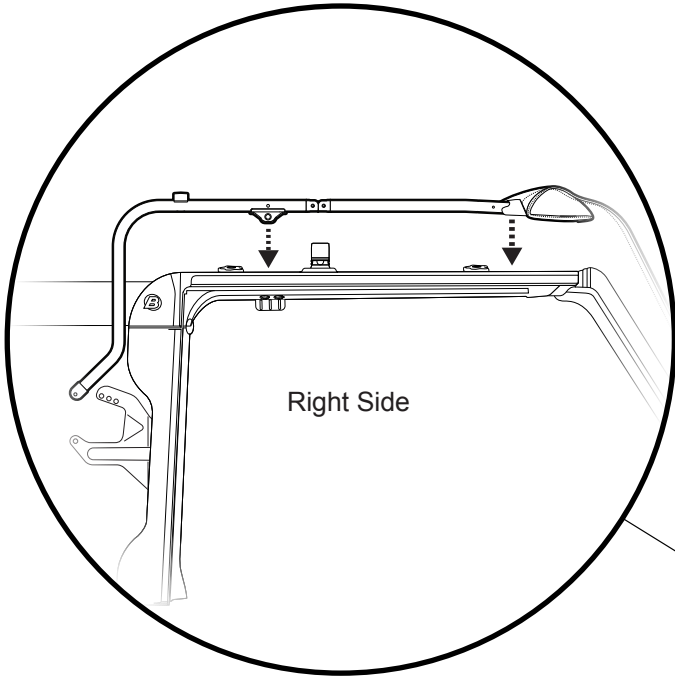
Pan Head
Washer Screw
Qty. 4 per side
Part # 393.79

Step 3 Header/Fabric Assembly



Step 1 Fabric/Header/Side Bow Assembly

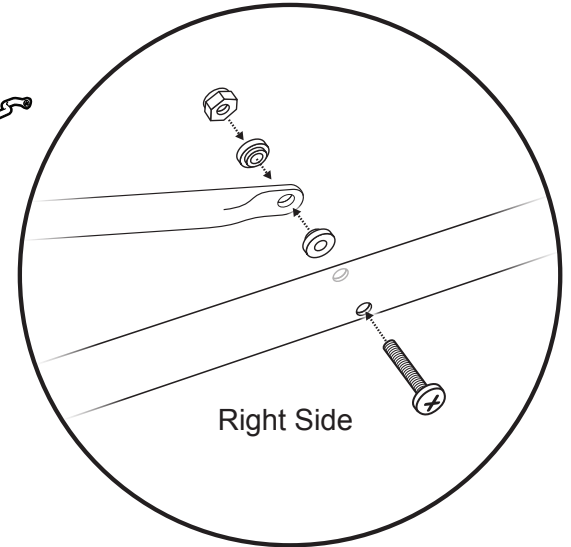
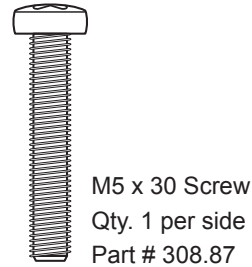
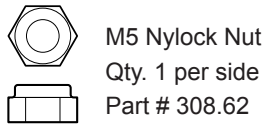
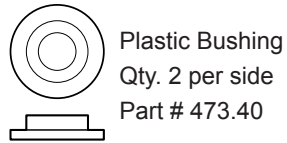
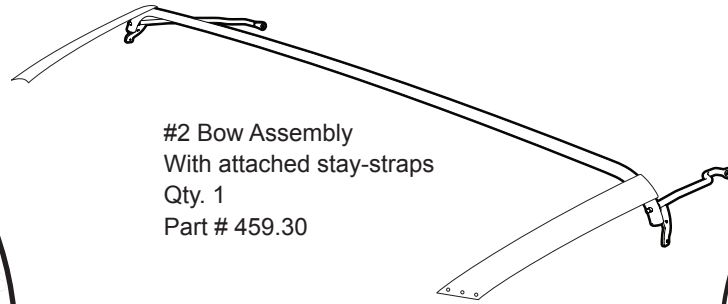
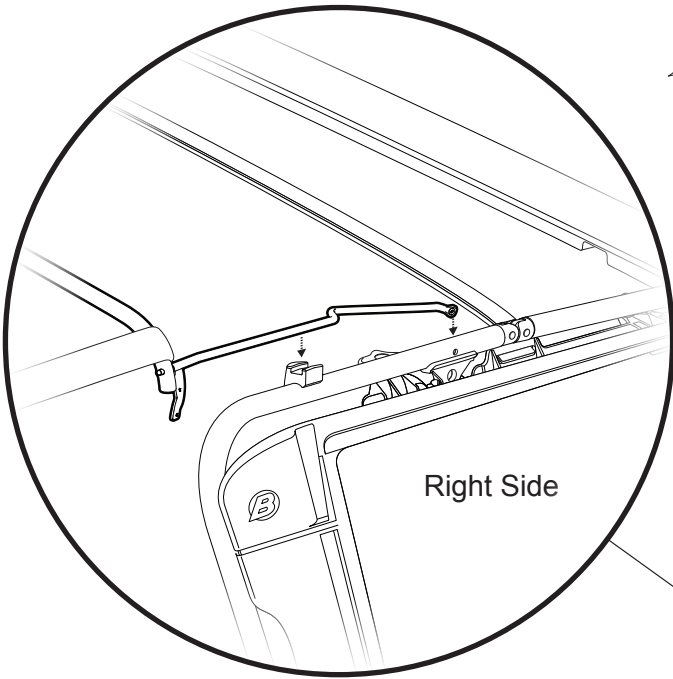
Step 2 Side Bow Assembly



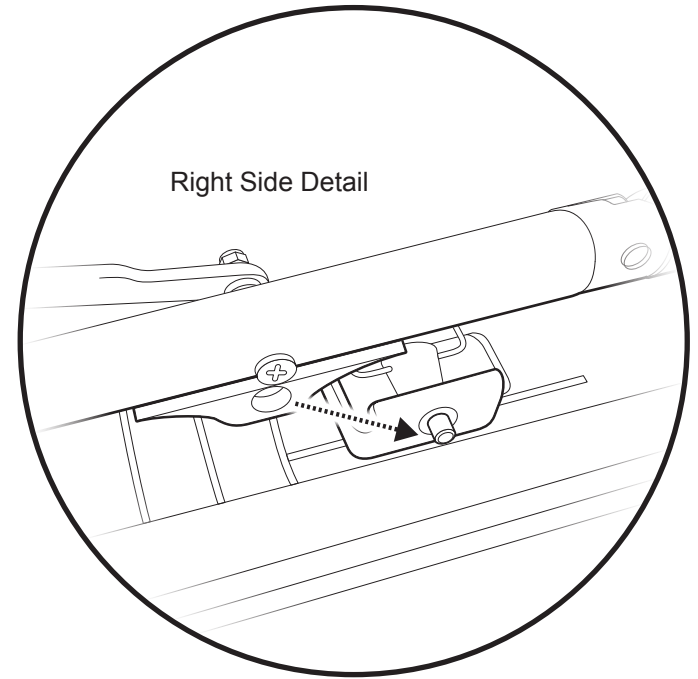
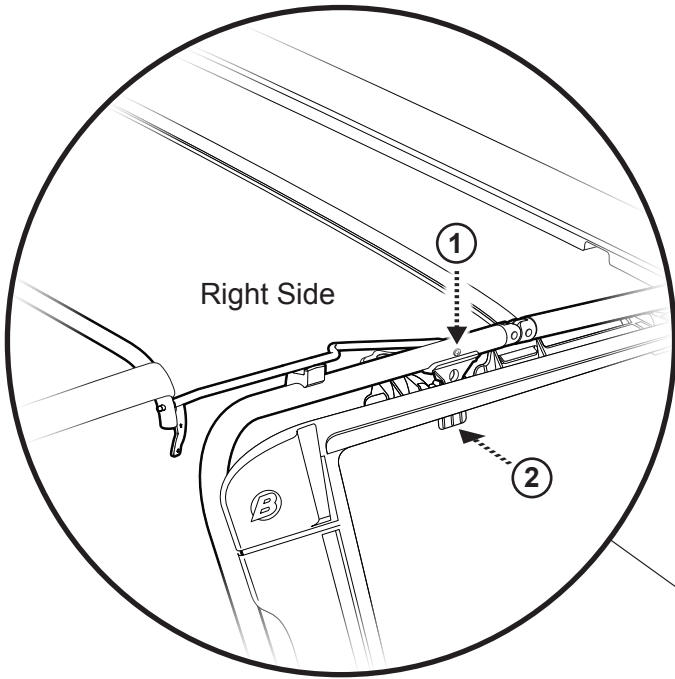
Step 1 459.30 #2 Bow Assembly

Hardware

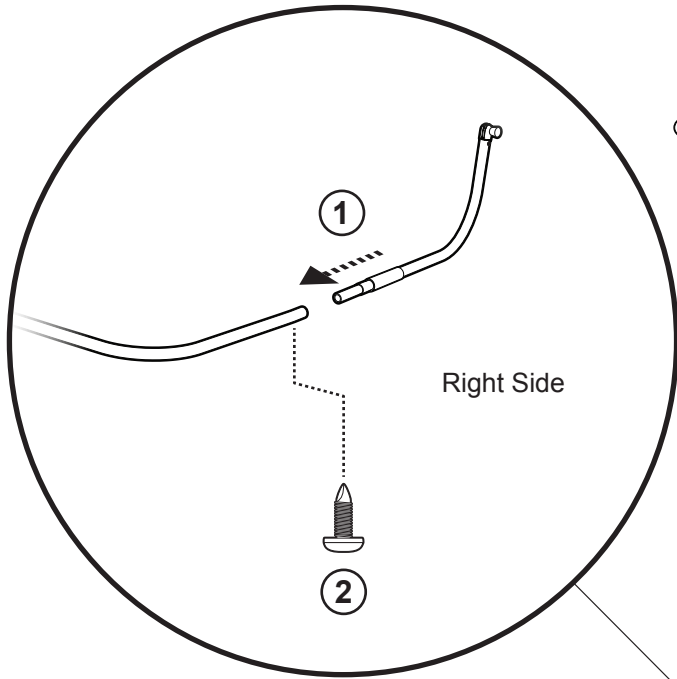
Step 2



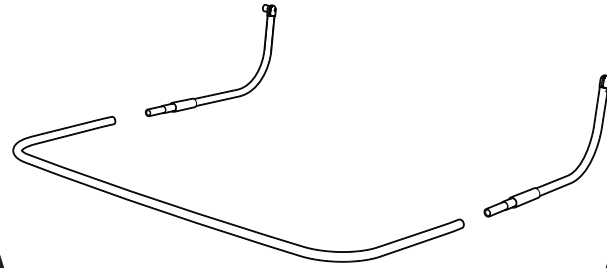
Step 1 Header/Fabric/Bow Assembly



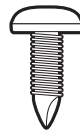
Step 1 Rear Bow Assembly



Hardware

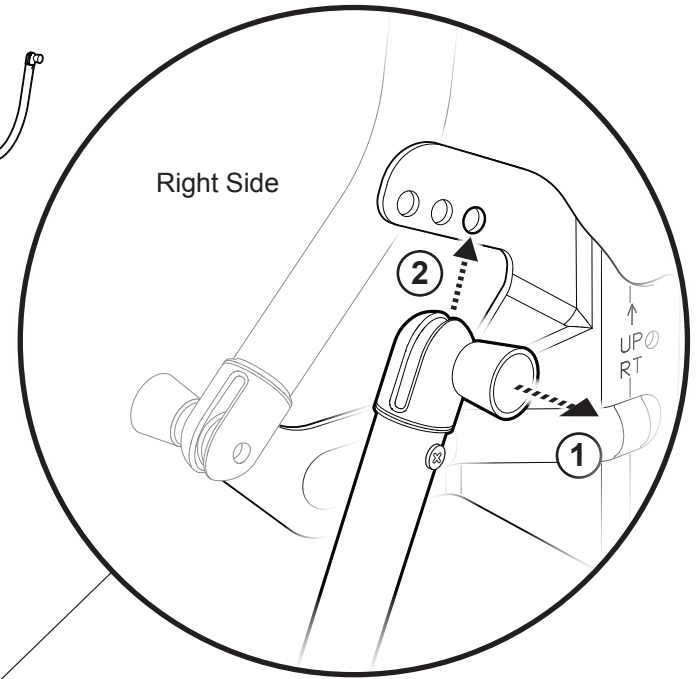


Rear Bow Assembly
Qty. 1 (3 pieces)
Part # 486.54



Self-Drill Screw
Qty. 2
Part # 312.09

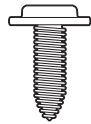
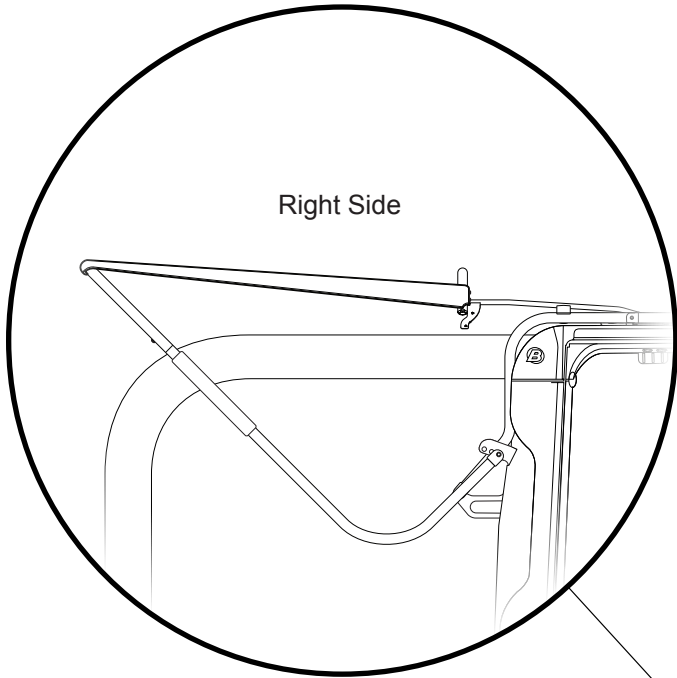
Step 2



Step 1 456.32 Stay Strap

Hardware

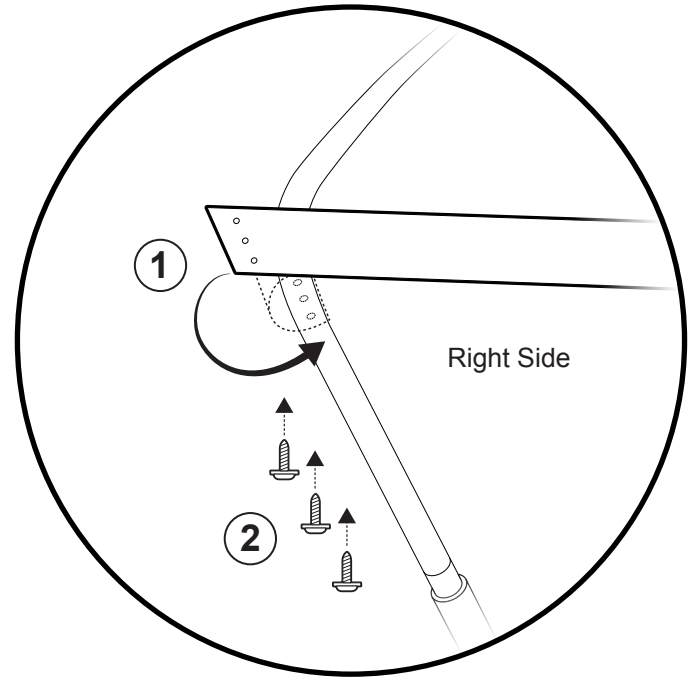
Step 2



Pan Head
Washer Screw
Qty. 3 per side
Part # 393.79



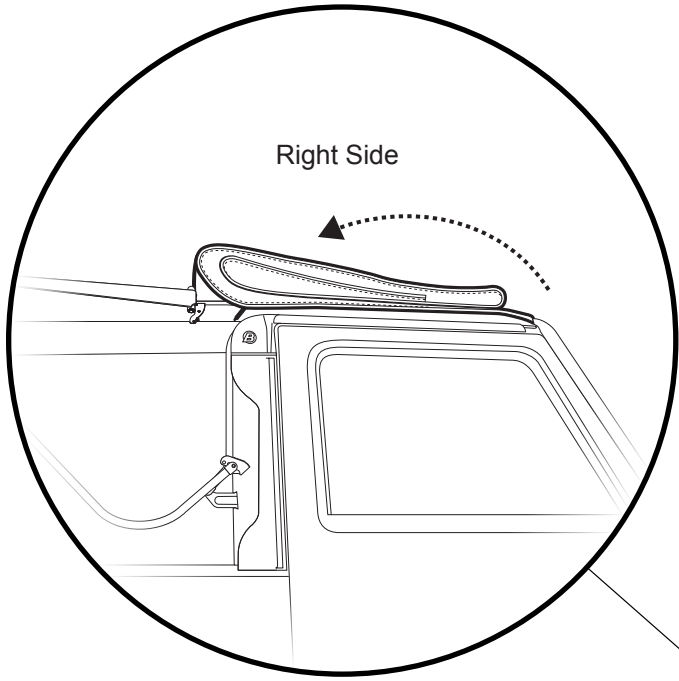
Stay Strap
Qty. 1 per side
Attached to #2 Bow



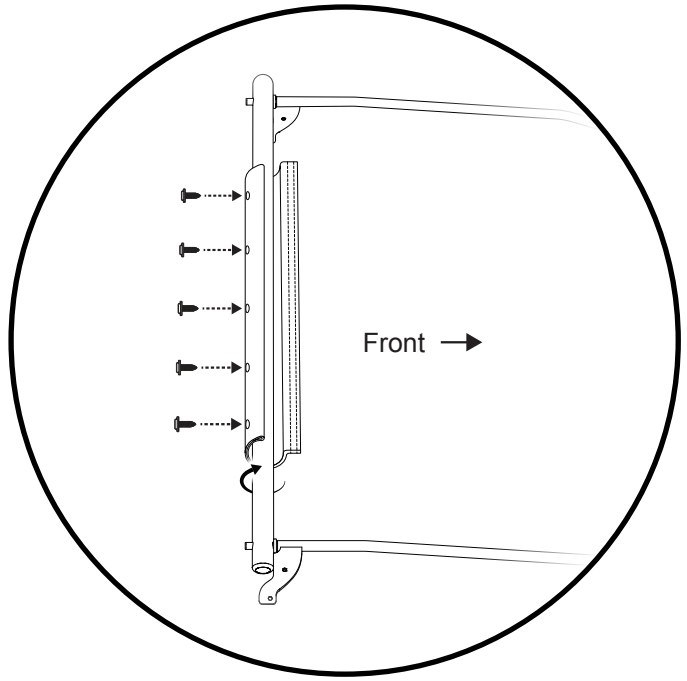
Step 1 #2 Bow Flap

Hardware

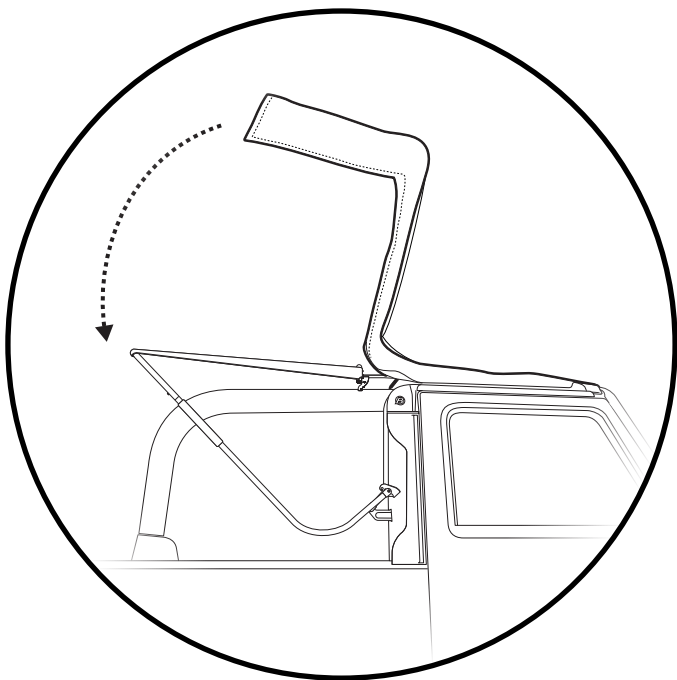
Step 2



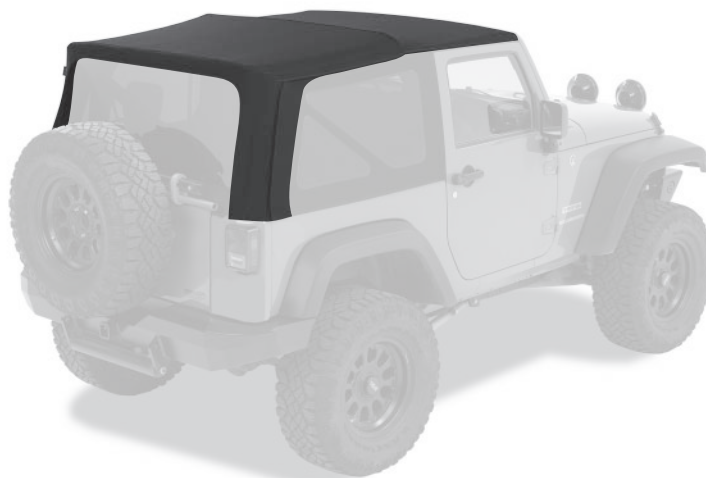
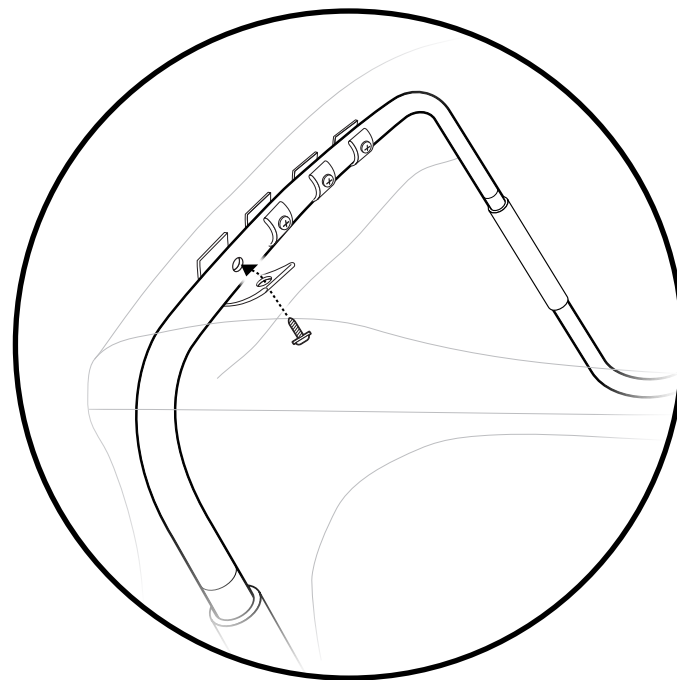
Pan Head
Washer Screw
Qty. 5
Part # 393.79



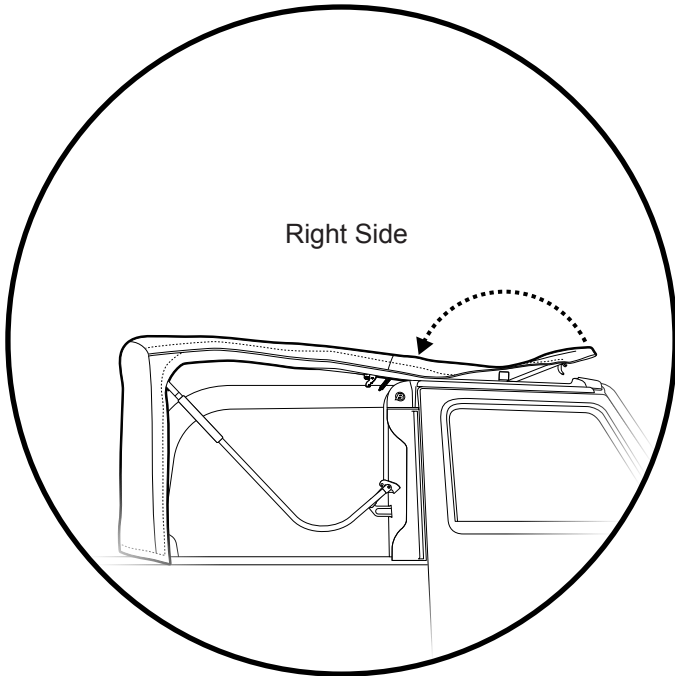
Step 1 Fabric



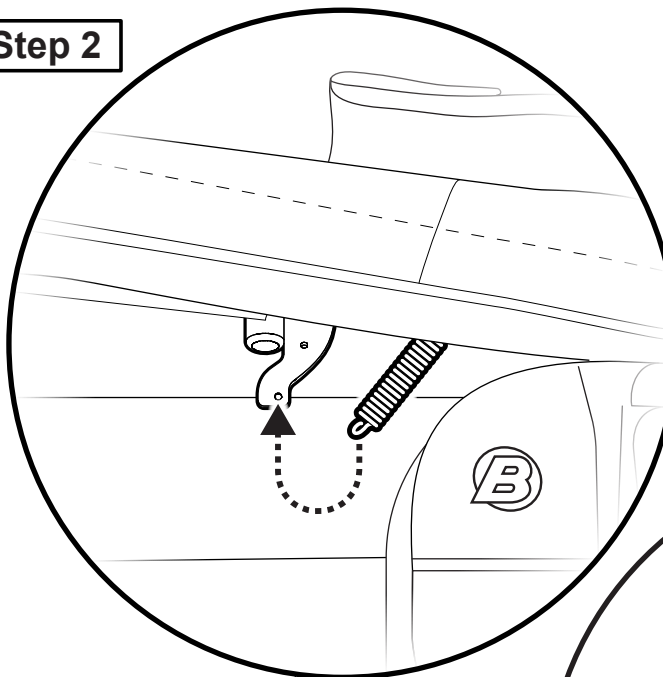
Step 2



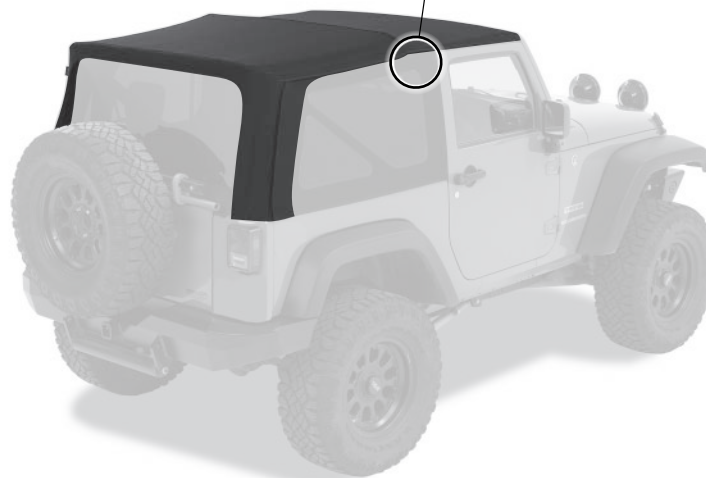
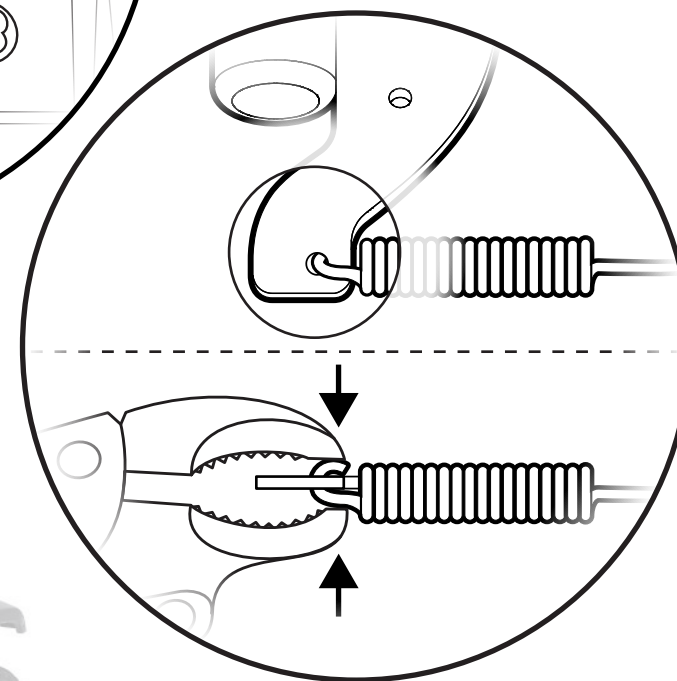
Step 1 Header/Fabric assembly



Step 2

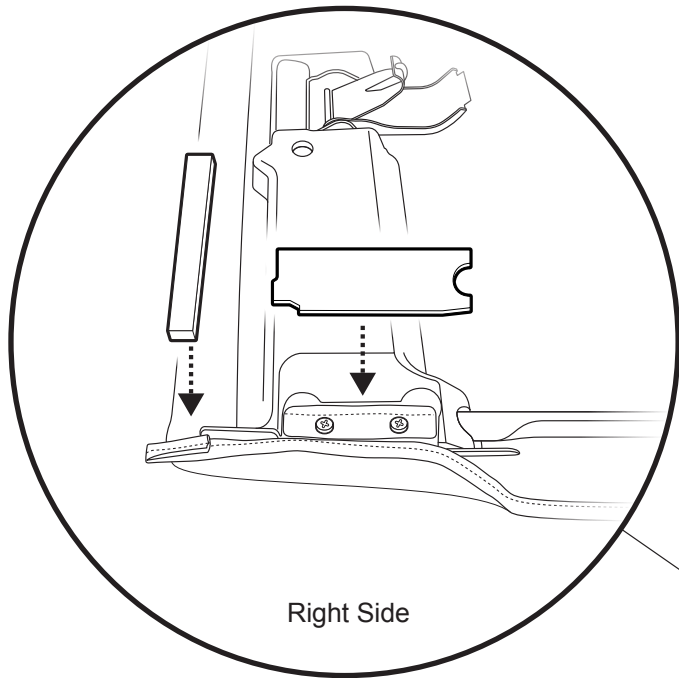


Step 3

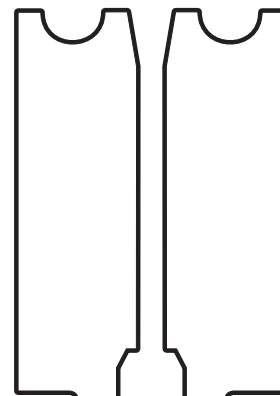


Step 1 Foam Seals and Foam Tape Strips

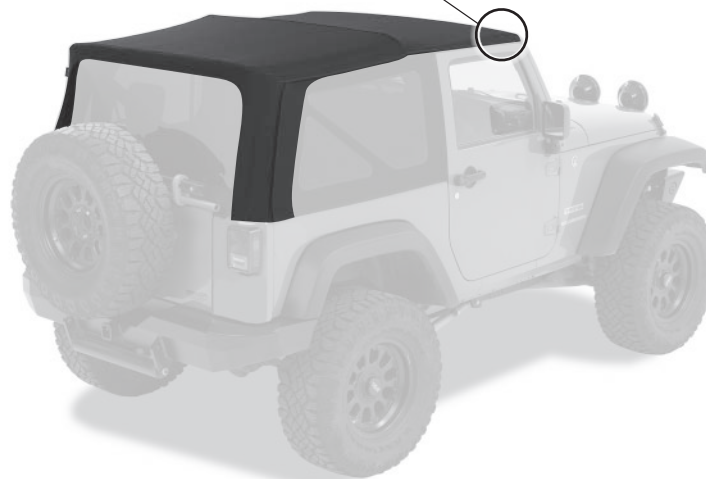
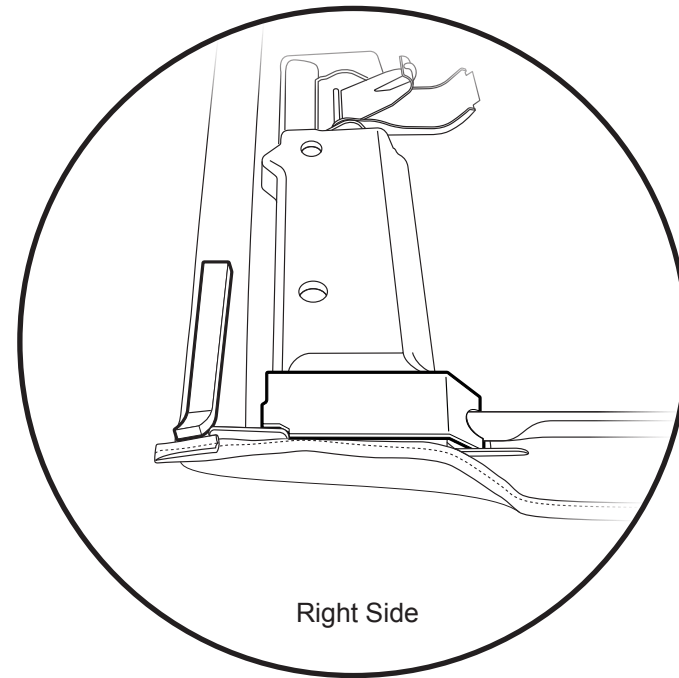
Hardware



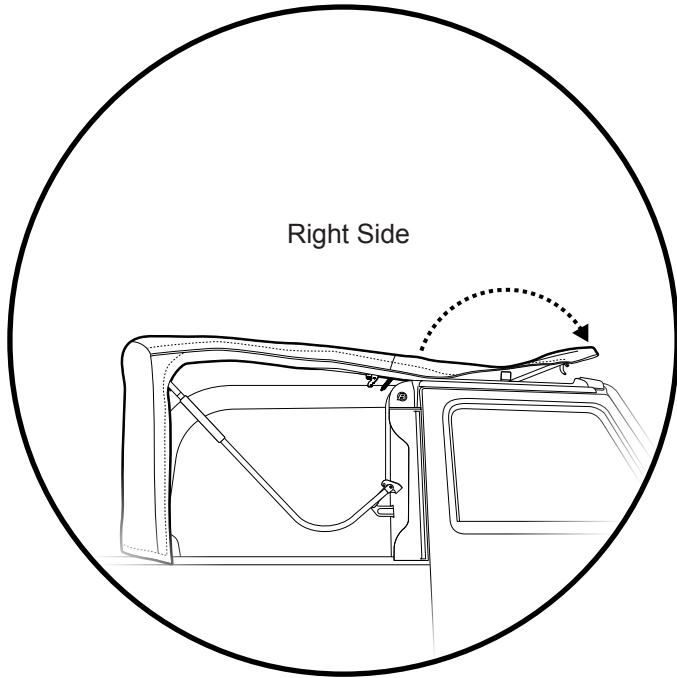
Foam Tape Strips
Qty. 2
Part # 417.43



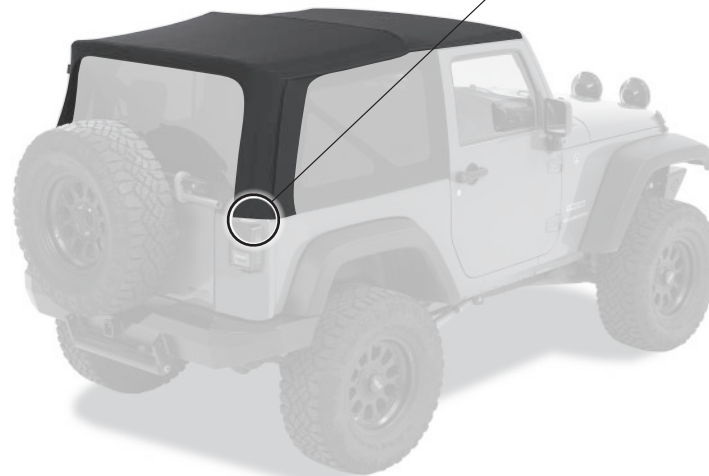
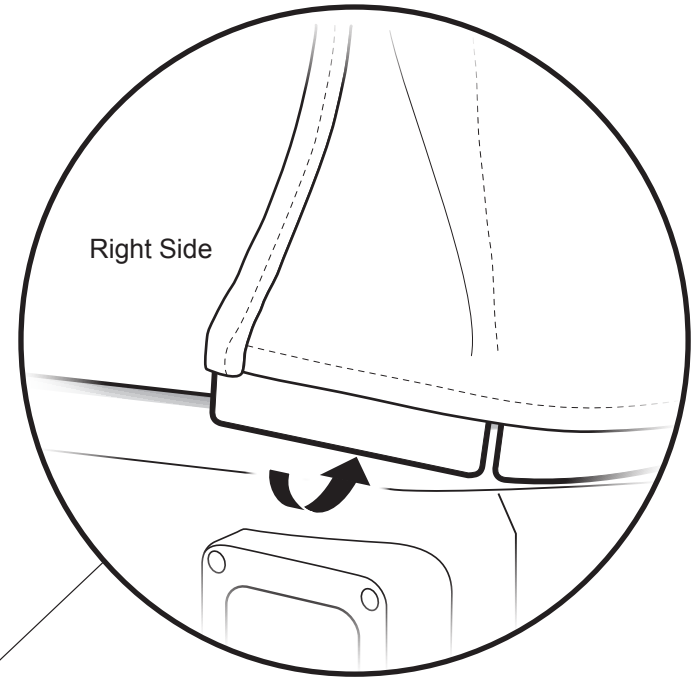
Foam Seals
Qty. 1 per side
Parts # 457.77(L)
& #457.76(R)



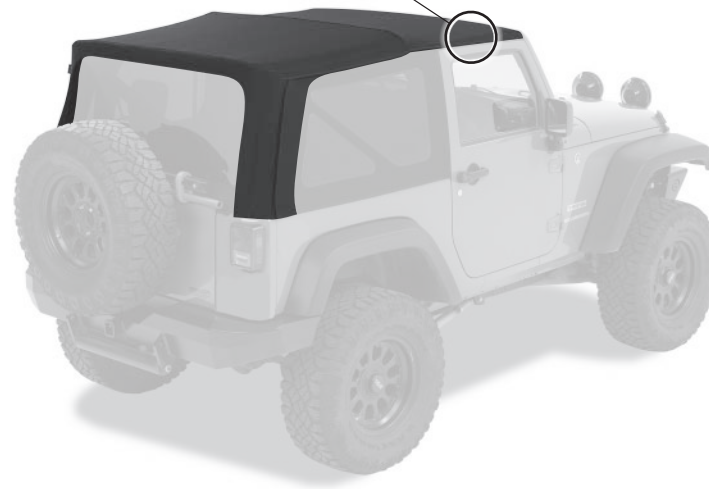
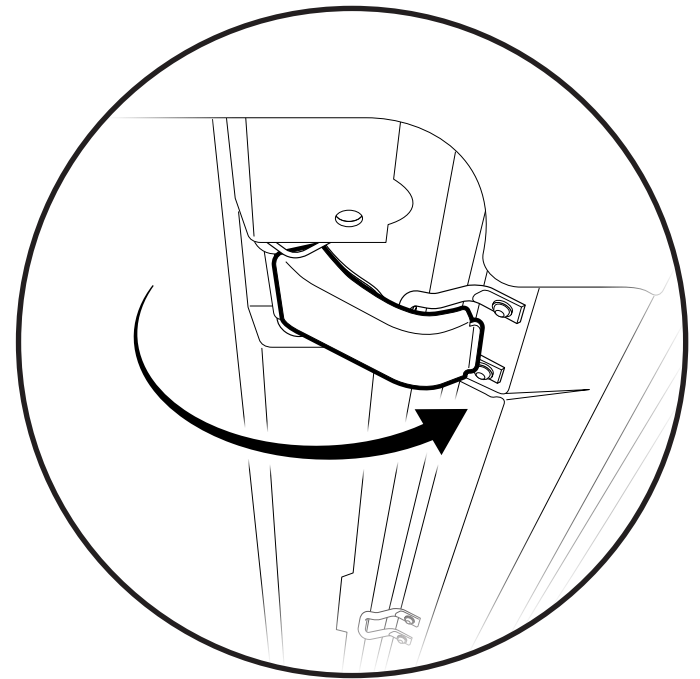
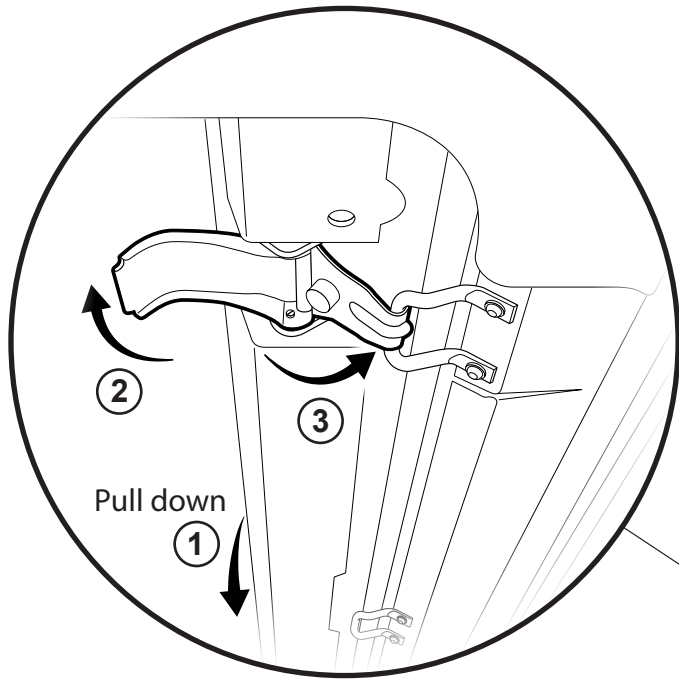
Step 1 Partially close front portion of Top



Step 2 Plastic Corner Tabs

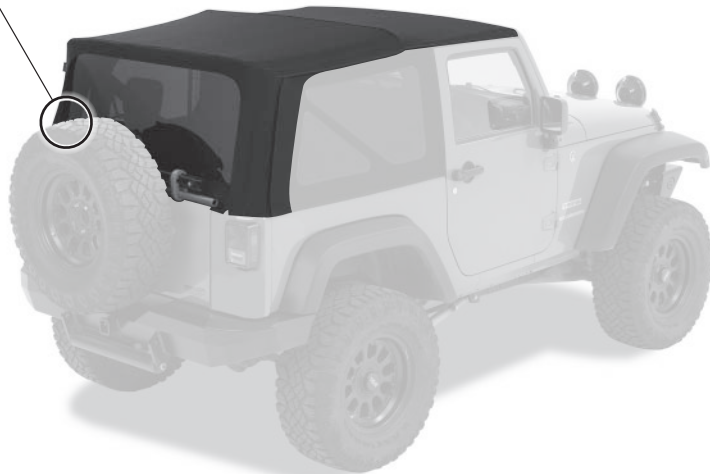
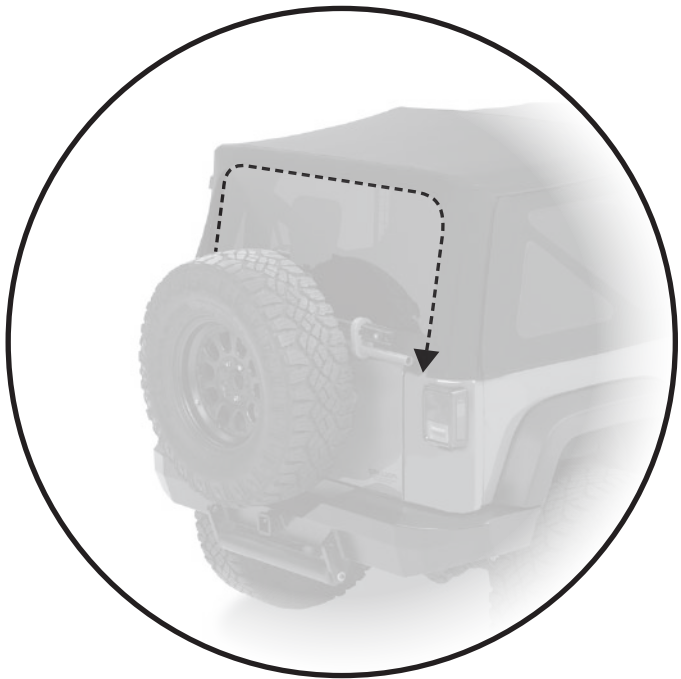
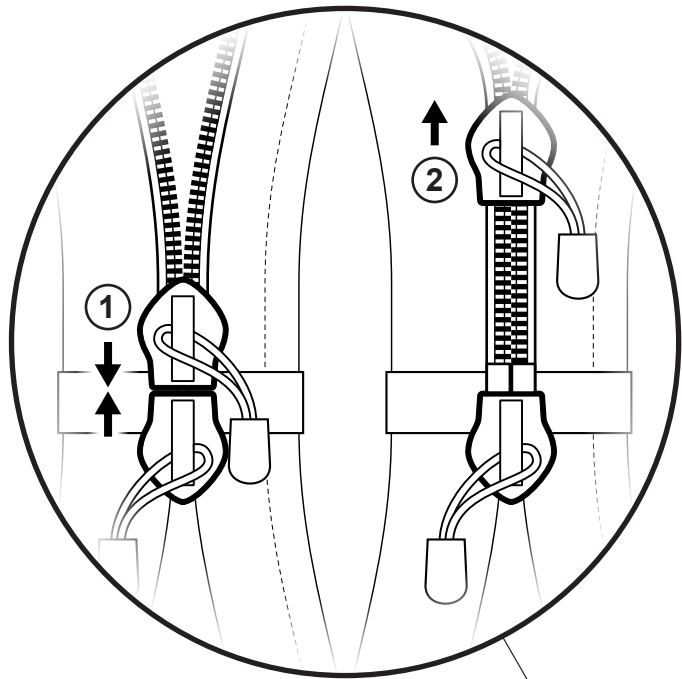


Step 1

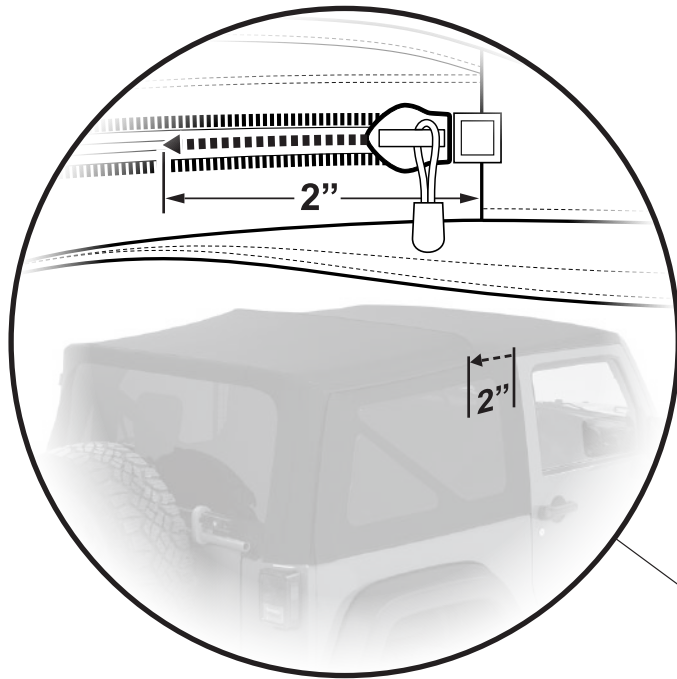


Step 1 Rear Window

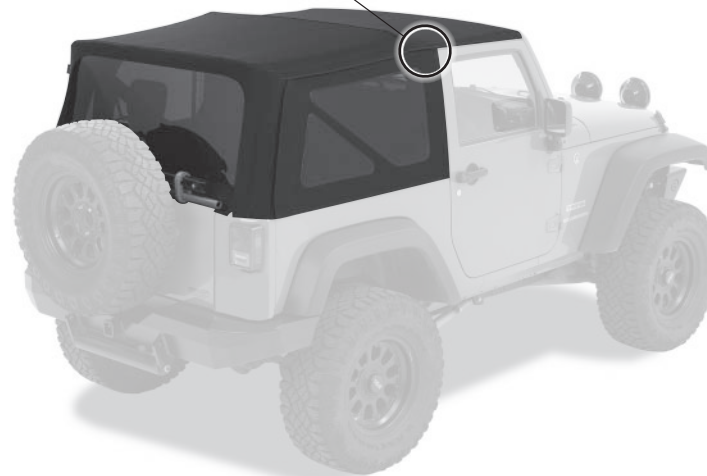
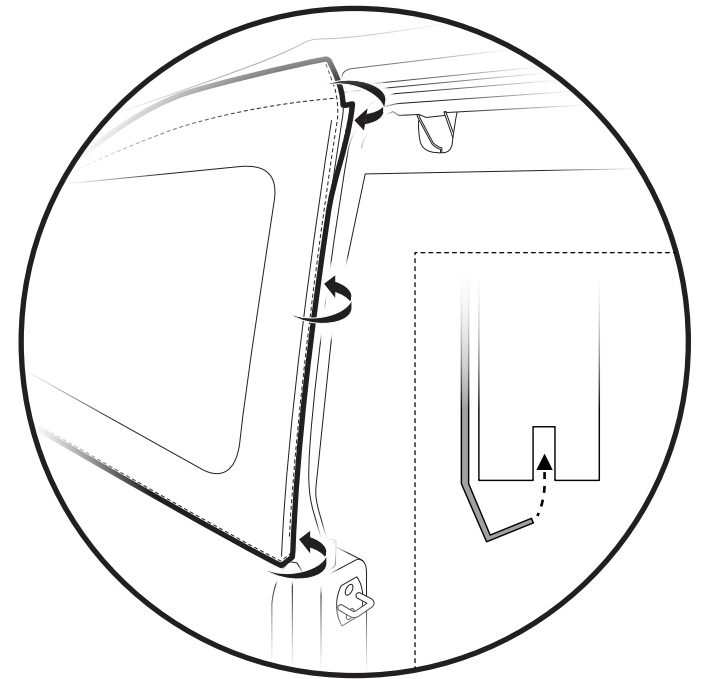
Step 2

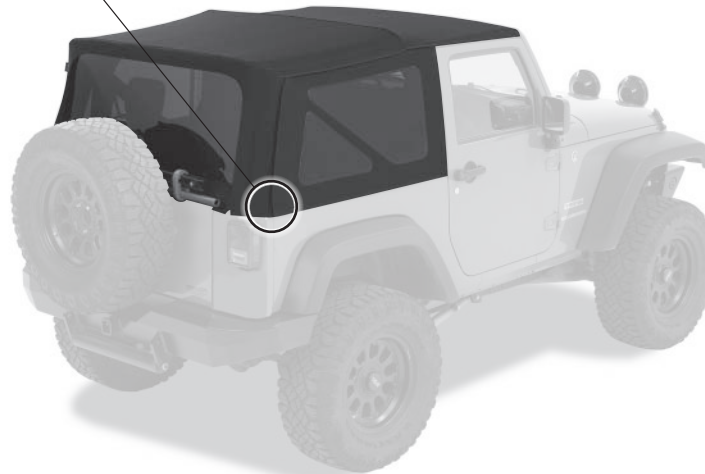
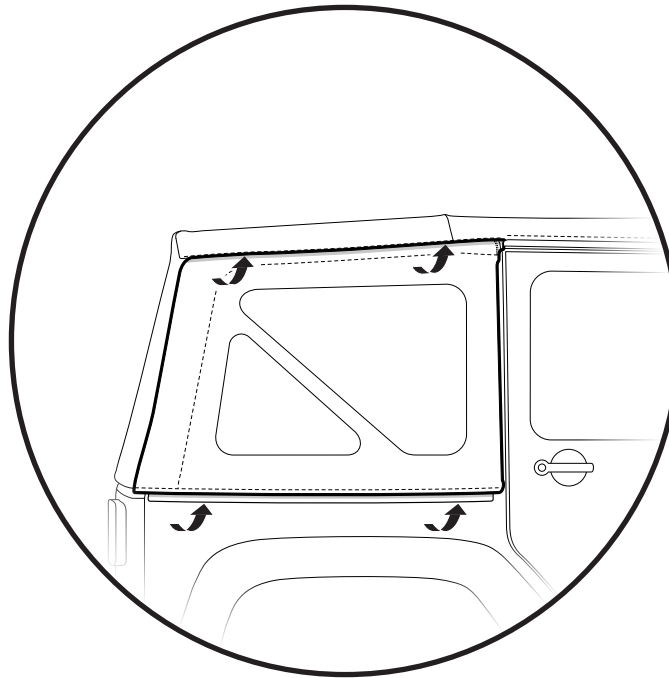
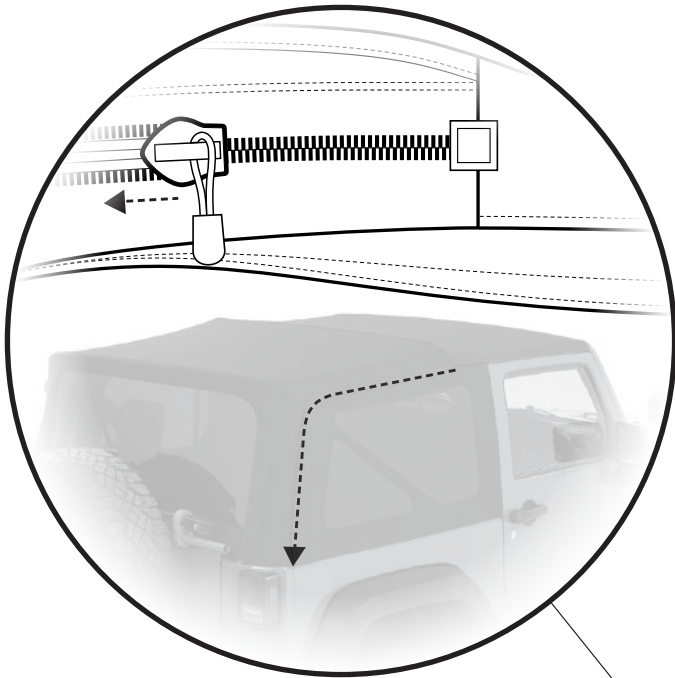


Step 1 Side Windows



Step 2



Step 1 Side Windows**Step 2****WARNING**

When operating the vehicle without the Side Windows, remove the Rear Window for proper ventilation.

**AVERTISSEMENT**

Retirez la vitre arrière afin d'obtenir une bonne ventilation si les vitres de custode ne sont pas utilisées alors que le véhicule fonctionne.

**ADVERTENCIA**

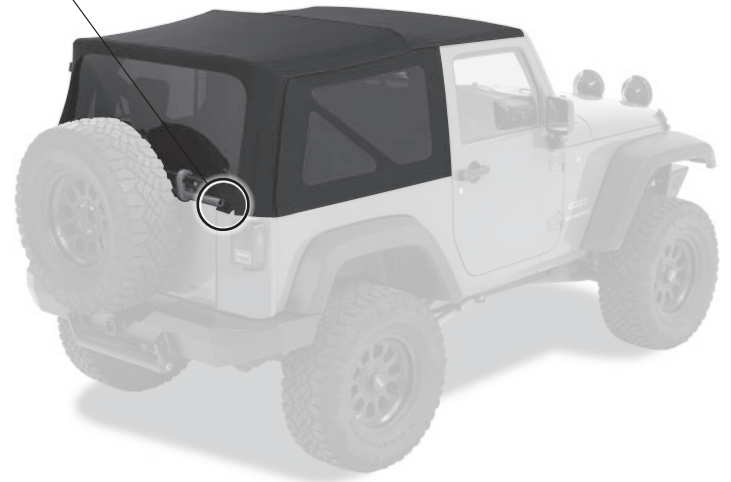
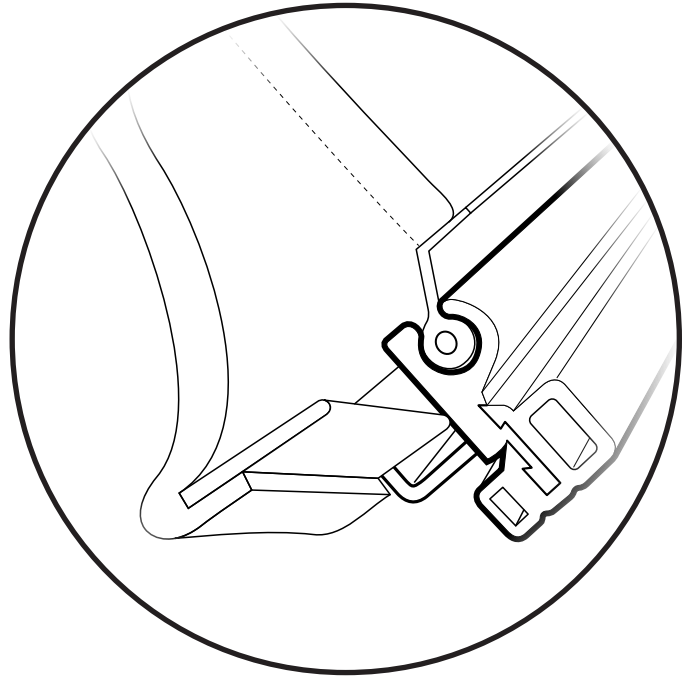
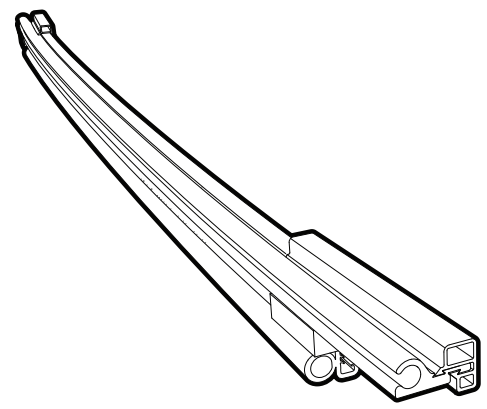
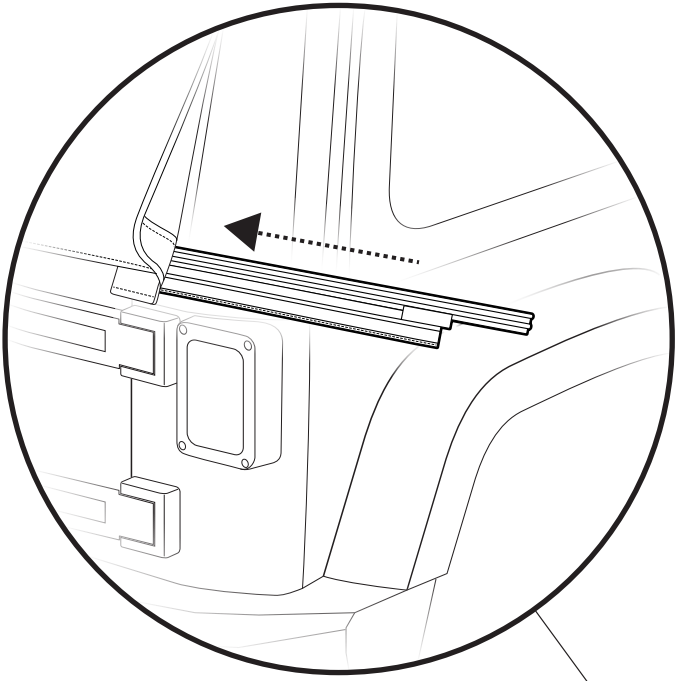
Cuando el vehículo funcione sin ventanas de los cuartos traseros, quite el medallón para asegurar la ventilación adecuada.

Step 1 Rear Window

Hardware

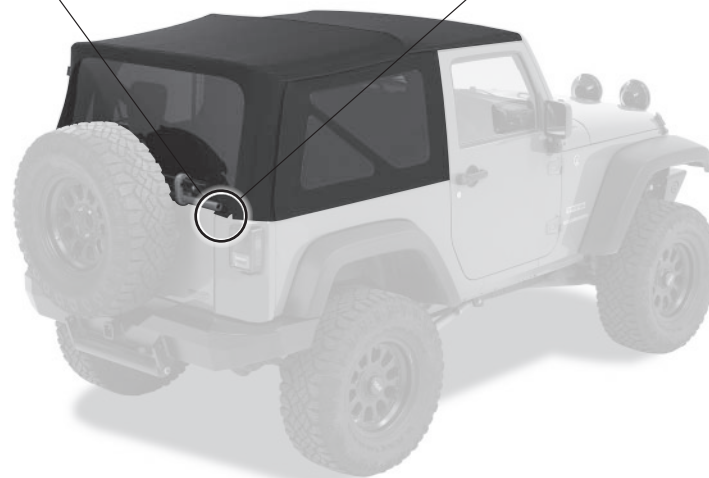
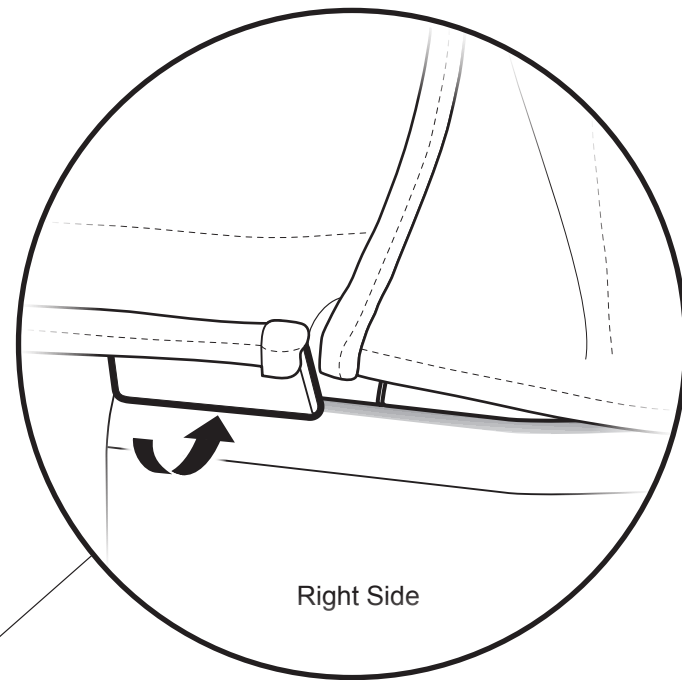
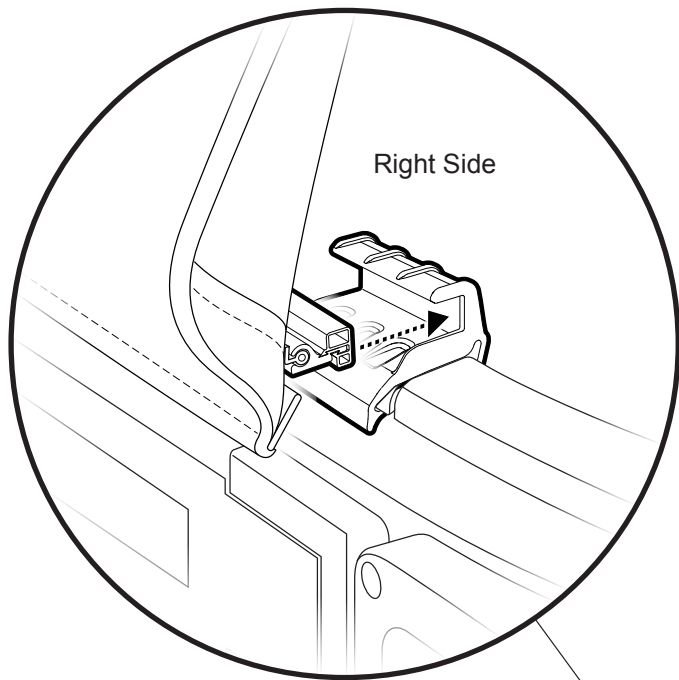
Step 2

Tailgate Bar
Qty. 1
Part #489.46

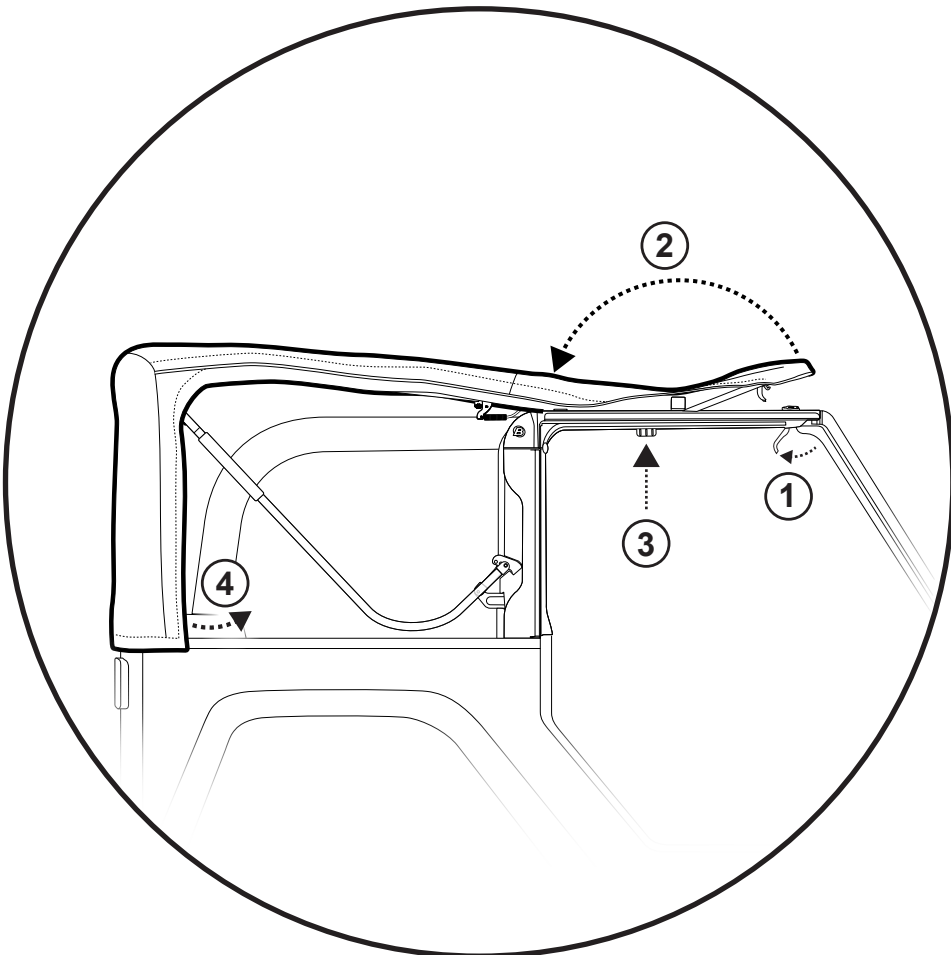


Step 1 Tailgate Bar

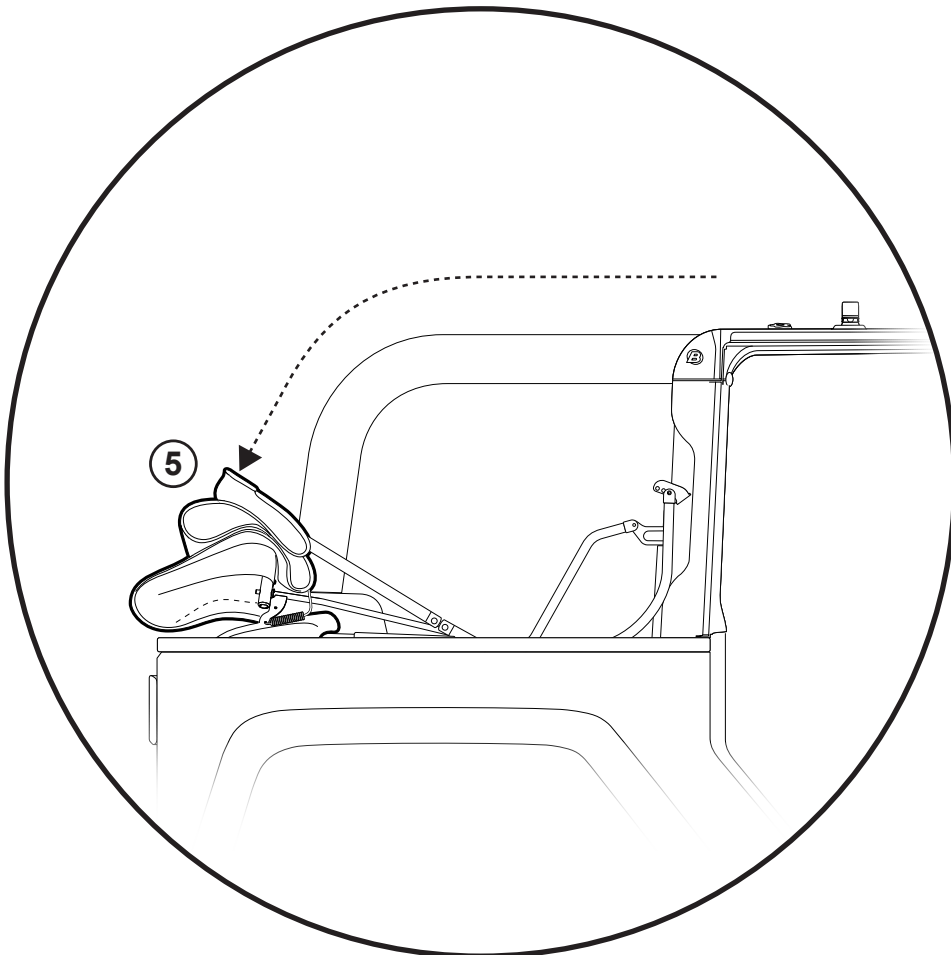
Step 2 Rear Window Corner Tabs



Step 1



Step 2





Installation Instructions Supertop NX Twill

Vehicle Application:
Jeep Wrangler JK
2007-2018
Part Number 54822

Care and Maintenance of your Bestop Product

Your Bestop product is made of the finest materials available. To keep it looking new and for the maximum possible life, it will need periodic cleaning and maintenance.

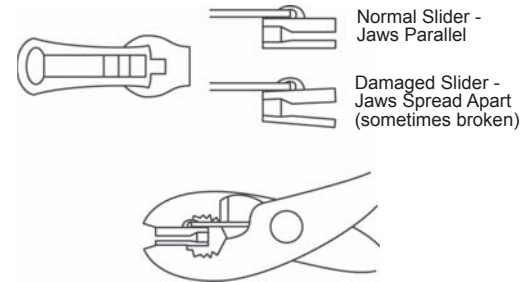
Fabric: The fabric should be washed often using soap, warm water and a soft bristle brush. Rinse with clear water to remove all traces of soap. Bestop recommends using BESTOP CLEANER (part no. 11201-00) and BESTOP TWILL PROTECTANT (part no. 11207-00) which are specially formulated to provide a total cleaning and protection system.

Windows: Keep windows clean to avoid scratching. DO NOT use a brush on the windows! Wash with a water-soaked cloth or sponge and a mild dishwashing detergent. Bestop recommends Bestop Vinyl Window Cleaner (part no. 11203-00), which safely cleans and protects vinyl windows and helps prevent UV damage. NEVER WIPE THE WINDOWS WHEN THEY ARE DRY. Be careful when cleaning snow or frost from the vinyl windows since they are easily scratched and may crack at low temperatures. DO NOT roll the sides or rear window in cold weather. The windows become stiff and will crack. Cracks caused by misuse in cold temperatures are not covered under warranty.

Zippers: Keeping zippers cleaned and lubricated with Bestop's Zipper Cleaner (part no. 11206-00) will help prevent damage and keep the zippers in smooth working condition. If a zipper opens behind the slider, the slider may have been spread apart. This problem can usually be repaired by using an ordinary pair of pliers to bring the sides back into parallel. Return slider to the end of the zipper in the normal Open position. Squeeze lightly at first and test the zipper. If the zipper continues to remain open squeeze more firmly with the pliers and try the zipper again. Repeat this procedure until the zipper operates correctly.

Water: Seeping through at the seams may be stopped by applying 3-M Scotchgard® on the inside of the seams. Rips in the fabric may be repaired with Bondex® iron on patches. Iron the patches to the Inside of the top, carefully following the Bondex® instructions.

Snaps: Keep snaps cleaned and lubricated with silicone to help prevent snaps from sticking to the studs. If a snap does become stuck to a stud, use a screwdriver and GENTLY pry apart to prevent permanent damage to the snap or the top fabric.





BESTOP WARRANTY SUMMARY

Updated July 2017



WHAT BESTOP WARRANTS

Subject to the terms and conditions of sale, including any terms and conditions set forth by Bestop, Inc. ("Bestop" or "us" or "we") in our then-current terms of sale on our website (collectively, the "Terms"), Bestop represents and warrants that: the covered products listed in the "Covered Products and Warranty Periods" section (a "Product") will substantially be free from defects in materials and workmanship for the specified warranty periods set forth in that section.

THE WARRANTY IS LIMITED AND CONDITIONAL

This warranty applies to the original purchaser of the Product only. The warranty is valid only as long as the original retail purchaser owns the vehicle upon which the Product is installed. The warranty expires should the Product be removed from the original vehicle or if the original vehicle is transferred to another owner. This warranty is not transferable or assignable. The warranty does not apply to Product bought from auction-style or price-bid websites.

THE LIMITED WARRANTY AND STATED REMEDIES ARE SOLE AND EXCLUSIVE AND IN LIEU OF ALL OTHER WARRANTIES AND REMEDIES, AND COMPANY EXPRESSLY DISCLAIMS ALL IMPLIED OR STATUTORY OR OTHER WARRANTIES, INCLUDING WITHOUT LIMITATIONS WARRANTIES OF MERCHANTABILITY, NON-INFRINGEMENT OR FITNESS FOR A PARTICULAR PURPOSE. IN NO EVENT WILL COMPANY BE LIABLE FOR ANY SPECIAL, INCIDENTAL, CONSEQUENTIAL, PUNITIVE, INDIRECT OR EXEMPLARY DAMAGES OF ANY KIND, INCLUDING LOST PROFITS OR REVENUE, HOWEVER CAUSED, WHETHER FOR BREACH OR REPUDIATION OF CONTRACT, TORT, BREACH OF WARRANTY, NEGLIGENCE, OR OTHERWISE, WHETHER OR NOT COMPANY WAS ADVISED OF THE POSSIBILITY OF SUCH LOSS OR DAMAGES. *Some states do not allow exclusion or limitation, so this may not apply to you. This warranty gives you specific legal rights, and you may have other rights which vary from state to state.*

EXCLUSIONS TO THE WARRANTY

The Limited Warranty excludes, and Bestop is not liable in any way for any warranty claims, damages, or defects related to:

- Misuse, abuse, accidents, vandalism, negligence, fire, or improper installation or modification, or improper or inadequate maintenance;
- Failure to comply with any Product documentation, Bestop instructions, or applicable law or regulations; use in extreme conditions
- Force Majeure including but not limited to, earthquake, hurricane, tornado, flooding, or other disasters natural or man-made, civil unrest, strikes, declared or undeclared war, or lack of performance by, or discontinued product of, supply chain partners whose products, software, operations or management is beyond the control of Bestop;
- Damage resulting in breakage (including without limitation, spontaneous breakage, accidental breakage or breakage by any other means) of a Product or any component part;
- Damage to vinyl windows due to misuse, or cracking due to varying weather conditions.

COVERED PRODUCTS AND WARRANTY PERIODS: The warranty time periods are as follows for Products manufactured by Bestop:

BESTOP® LIMITED LIFETIME WARRANTY

Trektop® Pro Twill Fabric Top	Sunrider® for Hardtop Twill Fabric Top
Trektop® NX Glide Twill Fabric Top	Replace-a-Top™ Twill Fabric Top
Trektop® NX Twill Fabric Top	Supertop® NX Twill Fabric Top
EZFold™ Soft Tonneaus	Floor & Cargo Liners
ZipRail™ Soft Tonneaus	Pet Barriers
EZRoll™ Soft Tonneaus	

BESTOP® 5-YEAR LIMITED WARRANTY

Trektop® NX Glide™ Top (non-Twill)	Sunrider® for Hardtop (non-Twill)
Replace-a-Top™ Top (non-Twill)	Trektop® NX Top (non-Twill)
Sailcloth Replace-a-Top™	Supertop® NX Top (non-Twill)
Tigertop™ and Halftop™	Supertop® Classic Soft Top
Sunrider® Complete Soft Top	Supertop® for Truck
EZ Fold Hard Tonneau	

BESTOP® 3-YEAR/100K MILES LIMITED WARRANTY

Powerboard® & Powerboard® NX
Trekstep®, Side Mount
Trekstep®, Rear Mount

BESTOP® 3-YEAR LIMITED WARRANTY

Pavement Ends Sprint Top

BESTOP® 2-YEAR LIMITED WARRANTY

Trektop® Classic Soft Top
RoughRider™ Soft Storage

BESTOP® 1-YEAR LIMITED WARRANTY

All other Bestop® & Pavement Ends™ products not specified above.