



n-fab.com

a TRUCK HERO company



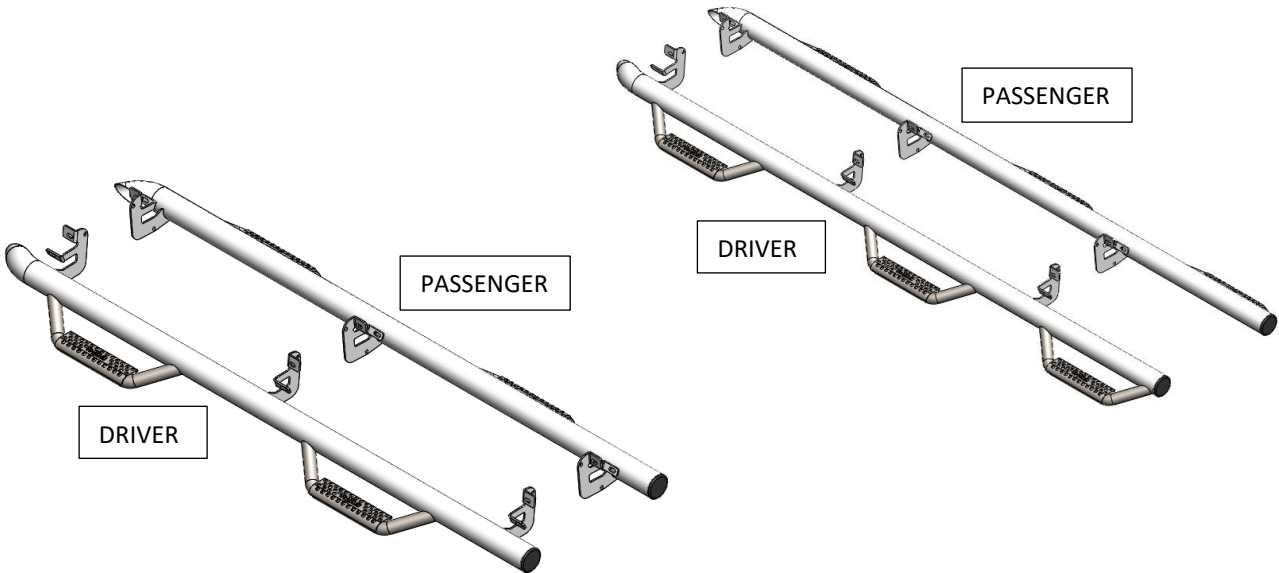
I-SHEET PART NUMBER: INST-000146
 PART NUMBER: D2080CC , D20100CC-6
 PRODUCT: HOOP STEP
 APPLICATION: 19-20 RAM 2500/3500 CREW CAB

HWKT-05354X		
HARDWARE DESCRIPTION		QTY.
HHCS-00568X	3/8" -16X1" HEX CAP SCREW	6
FLTW-00663X	3/8" USS FLAT WASHER	6
CLIP-00647X	3/8" -16X1 3/4" BARREL NUT CLIP	6
FLHB-00797X	M8-1.25X25MM SERRATED FLANGED BOLT	6
FLNT-00696X	M8-1.25 FLANGED NUT	6



PARTS INCLUDED	QTY
Driver side step	1
Passenger side step	1

Step 1: Identify driver side step.



Step 2: Remove any factory running boards or steps and discard.
Step 3: Next, locate the mounting holes underneath the body and remove the factory tape from the three locations.



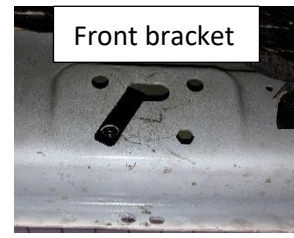
Step 4: Insert the supplied threaded U- clips in each mounting location.



Rear bracket



Center bracket



Front bracket

U-clip positioning. **NOTE: Clips will also face forward for passenger side.**

Step 5: If installing the bed access step prt# D20100CC-6, you have the option of removing the plastic bed molding. If so, proceed before moving to step 6.



Step 6: Carefully place step into position and start the upper 3/8"X1" hex bolt and 3/8" flat washer in the center bracket and hand tighten to hold in place. Next, install the remainder 3/8"x1" hex bolts and 3/8" washer in the front and rear brackets and leave loose for now.



Step 7: Insert the black zinc M8 flanged bolts and flanged nuts in the pinch weld holes and leave loose for now.



Step 8: Begin tightening the lower attachment points starting with the rear bracket working your way up to the front bracket. (20ft/lbs)

Step 9: Finish by tightening the upper attachments points from front to back. (20ft/lbs)



Step 10: Repeat steps 2-9 for passenger side. Your install is now