



n-fab.com

nfabinc f t

I-SHEET PART NUMBER: INST-00148
 PART NUMBER: D204RKR, D204RKRS4
 PRODUCT: RKR RAILS
 APPLICATION: 19-20 RAM 2500/3500 CREW CAB

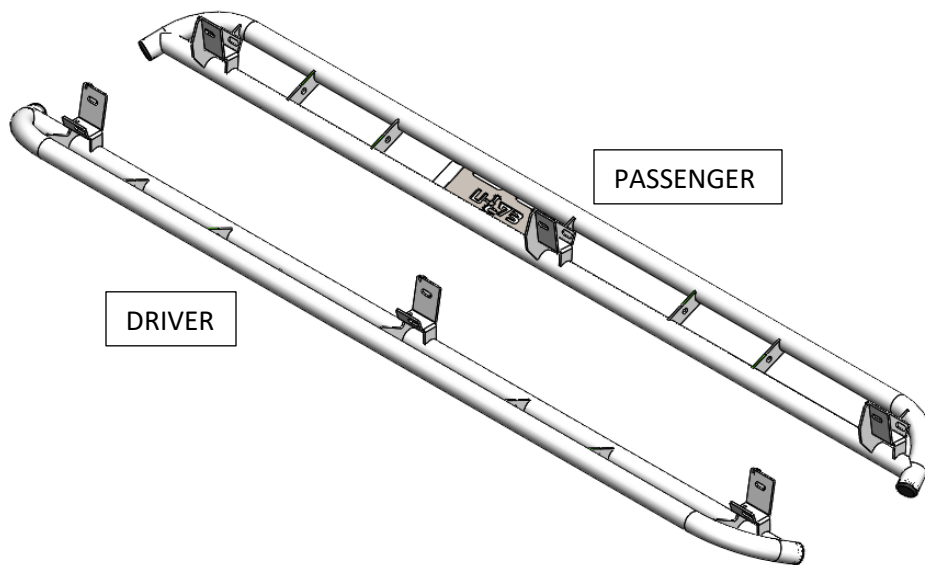


HWKT-05354X		
HARDWARE DESCRIPTION		QTY.
HHCS-00568X	3/8"-16X1" HEX CAP SCREW	6
FLTW-00663X	3/8" USS FLAT WASHER	6
CLIP-00647X	3/8"-16X1 3/4" BARREL NUT CLIP	6
FLHB-00797X	M8-1.25X25MM SERRATED FLANGED BOLT	6
FLNT-00696X	M8-1.25 FLANGED NUT	6

PARTS INCLUDED: D204RKRC		QTY
DRIVER SIDE RAIL		1
PASSENGER SIDE RAIL		1

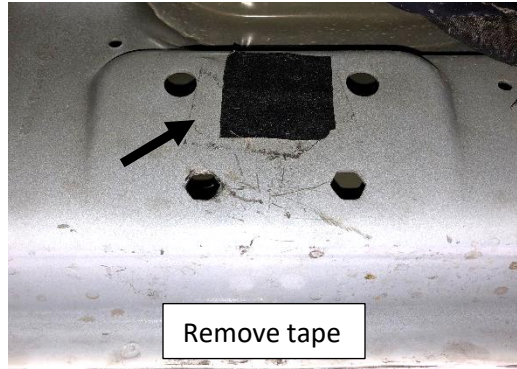
PARTS INCLUDED: D204RKRS4CC		QTY
DRIVER SIDE RAIL		1
PASSENGER SIDE RAIL		1
DETACHABLE STEPS (1 PAIR)		2

Step 1: Identify driver side step.



Step 2: Remove any factory running boards or steps and discard.

Step 3: Next, locate the mounting holes underneath the body and remove the factory tape from the three locations.



Step 4: Insert the supplied threaded U- clips in each mounting location.



U-clip positioning. **NOTE: Clips will also face forward for passenger side.**

Step 5: Carefully place step into position and start the upper 3/8"x1" Hex bolt and washer in the center bracket and hand tighten to hold in place. Next, install the remainder 3/8"x1" bolts and washers in the front and rear brackets and leave loose for now.



Step 6: Insert the black zinc (x3) M8 flanged bolts and flanged nuts in the pinch weld holes and leave loose for now.



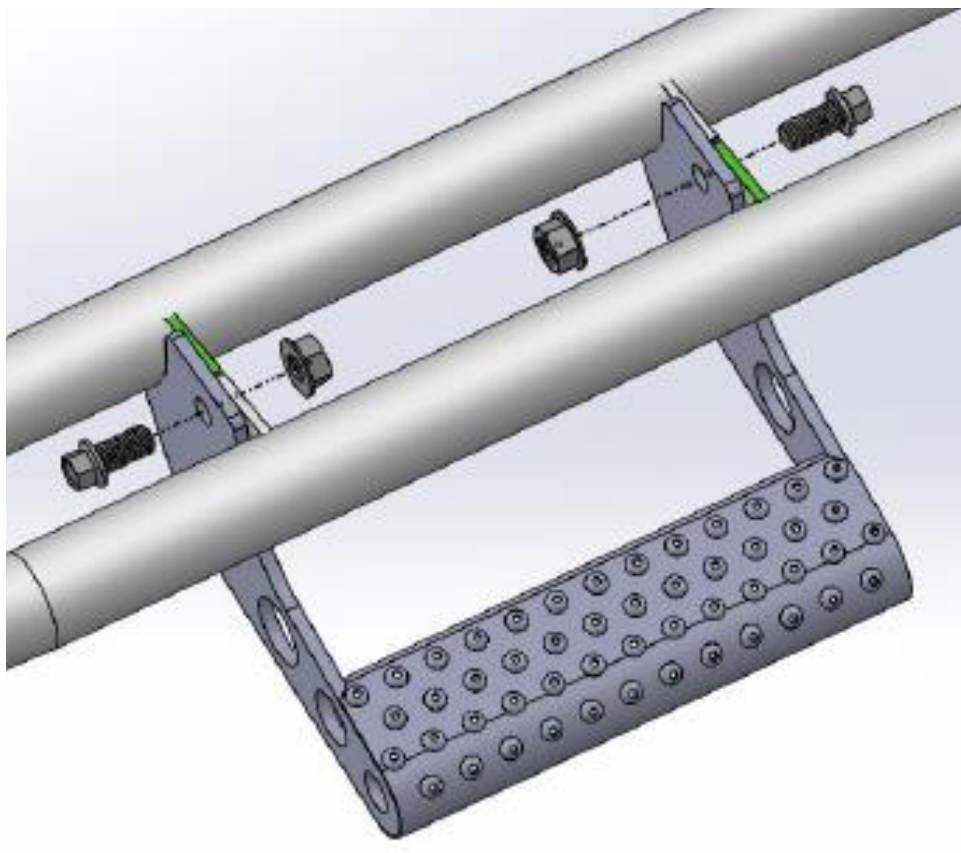
Step 7: After final adjustment, begin tightening the lower attachment points starting with the rear bracket working your way up to the front bracket. (**20ft/lbs**)

Step 8: Finish by tightening the upper attachments points from front to back. (**20ft/lbs**)

Step 9: Repeat steps 2-8 for passenger side. Your install is now complete.

PRT# JPTS32 Detachable Step Installation.

Step 1: Attach the step to the mounts located in between the RKR rails using the supplied 1/2" x 1" flanged hex bolts and 1/2" flanged hex nuts. **NOTE: The step will mount to the left of the bracket opposite of the weld.**



Step 2: Torque bolts to a target of 40 ft/lbs. / 54nm