

I-SHEET NUMBER: INST-00103  
 PART NUMBER: **F194RKRCC , F194RKRCCS4**  
 PRODUCT: **RKR RAILS**  
 APPLICATION: **2019 + FORD RANGER CREW CAB**

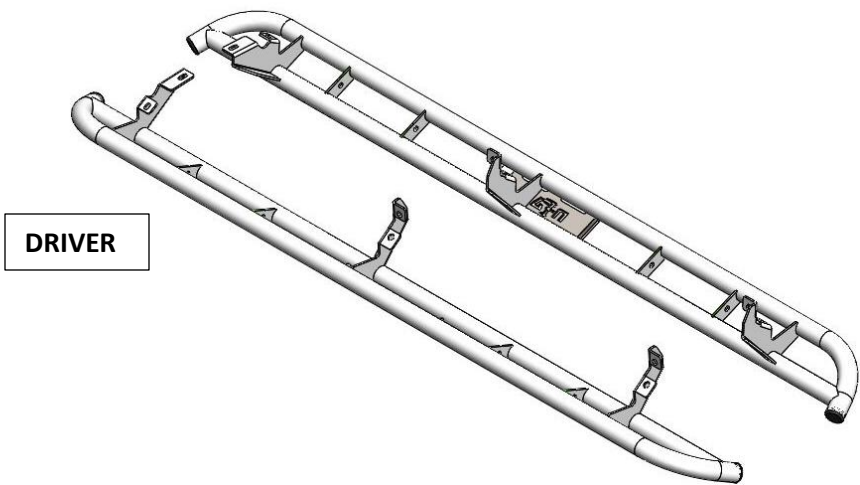


PARTS INCLUDED	QTY
<b>PRT# F194RKRCC</b>	
DRIVER SIDE RAIL	1
PASSENGER SIDE RAIL	1
<b>PRT# F194RKRCCS4</b>	
DRIVER SIDE RAIL	1
PASSENGER SIDE RAIL	1
DETACHABLE STEPS (PAIR)	2

HARDWARE DESCRIPTION		QTY.
<b>HWKT-04239X</b>		
FHLB 04240X	M10x25mm HEX FLANGED BOLT	12

**DO NOT USE IMPACT TOOLS**

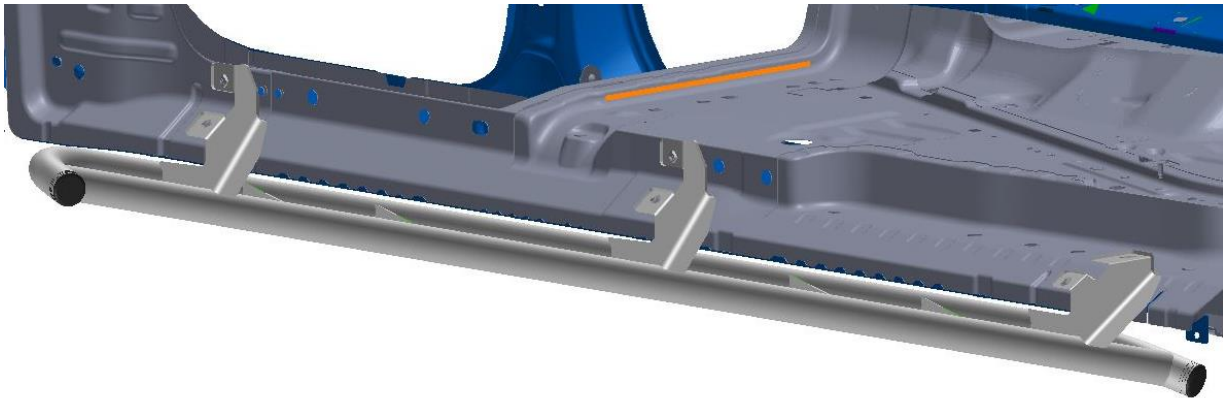
**STEP 1:** Identify driver side step.



**STEP 2:** Remove any factory running boards or hardware and discard.  
**STEP 3:** Clean/tap the three factory threaded mounting locations.



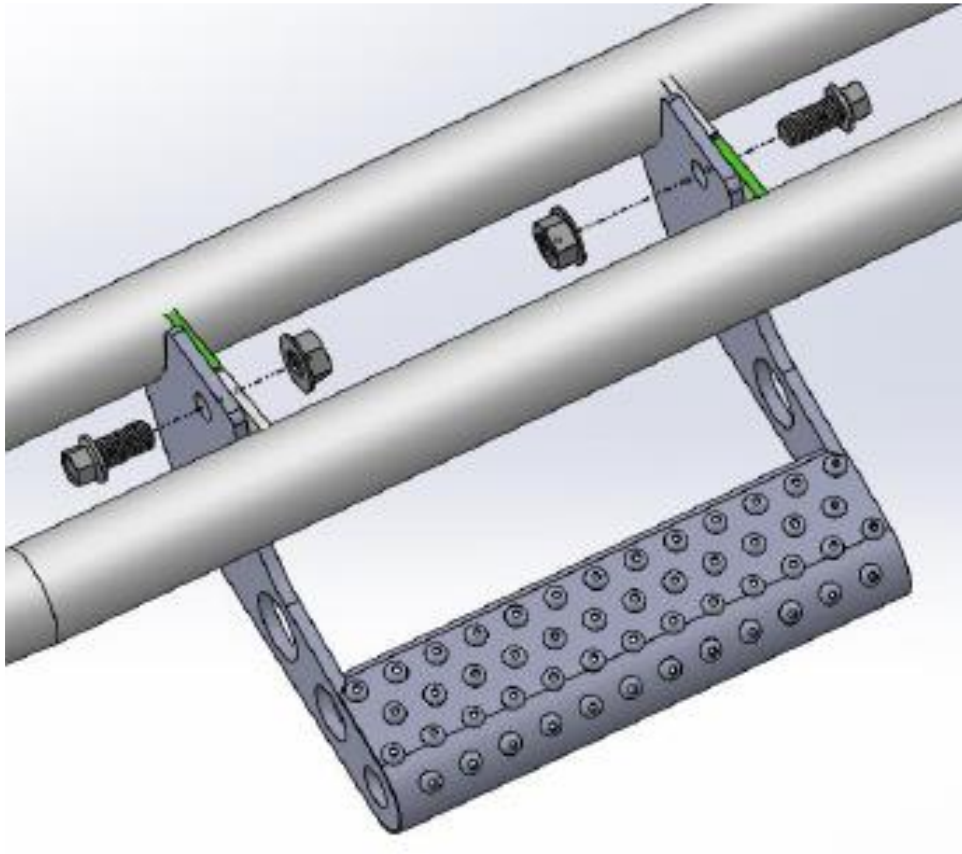
**STEP 4:** Carefully place step into place and loosely fasten using the supplied M10X25mm hardware.



**Step 5:** Next, tighten the three lower bolts first, following with the three upper bolts.  
**Step 6:** Repeat steps 2-5 with passenger side.  
**Step 7:** Your install is now complete.

## PRT# JPTS32 Detachable Step Installation.

**Step 1:** Attach the step to the mounts located in between the RKR rails using the supplied 1/2" x 1" flanged hex bolts and 1/2" flanged hex nuts. **NOTE: The step will mount to the left of the bracket opposite of the weld.**



**Step 2:** Torque bolts to a target of 40 ft/lbs. / 54nm