



Installation Instructions

Dodge 1500 Premium Front Bumper

Product Number: F2950, F2951, F2952
Application: 2013-2018 Dodge 1500

SAFETY

Your safety and the safety of others is very important.

- In order to help you make informed decisions about safety, we have provided installation instructions and other information.
- These instructions alert you to potential injury hazards.
- Please do a job safety analysis before each task to identify potential hazards for your situation and remove/protect against them.
- You must use your own good judgment.
- Read and understand all safety precautions and instructions before installing this product.

**THIS PRODUCT IS FOR OFFROAD USE ONLY. ALL LIABILITY FOR
INSTALLATION AND USE RESTS WITH THE OWNER.**

**CARELESS INSTALLATION AND OPERATION CAN RESULT IN SERIOUS INJURY
OR EQUIPMENT DAMAGE.**

**SENSORS FIELD OF VIEW WILL BE ALTERED WITH USE OF THE
REPLACEMENT BUMPER.**

Injury hazard

Failure to observe these instructions could lead to severe injury or death.

- Always remove jewelry and wear eye protection.
- Always use extreme caution when jacking up a vehicle for work. Set emergency brake and use tire blocks. Locate and use the vehicle manufacturers designated lifting points. Use jack stands.
- Always use appropriate and adequate care in lifting components into place.
- Always ensure components will remain secure during installation and operation.
- Always wear safety glasses when installing this kit. A drilling operation will cause flying metal chips. Flying chips can cause serious eye injury.
- Always use extreme caution when drilling on a vehicle. Thoroughly inspect the area to be drilled (on both sides of material) prior to drilling, and relocate any objects that may be damaged.
- Always use extreme caution when cutting and trimming during fitting.
- Always tighten all nuts and bolts securely per installation instructions.
- Always route electrical cables carefully. Avoid moving parts, components that become hot and rough or sharp edges.
- Always insulate and protect all exposed wiring and electrical terminals.
- Always perform regular inspections and maintenance on mounts and related hardware.



F295X_REV_A



Installation Instructions

Dodge 1500 Premium Front Bumper

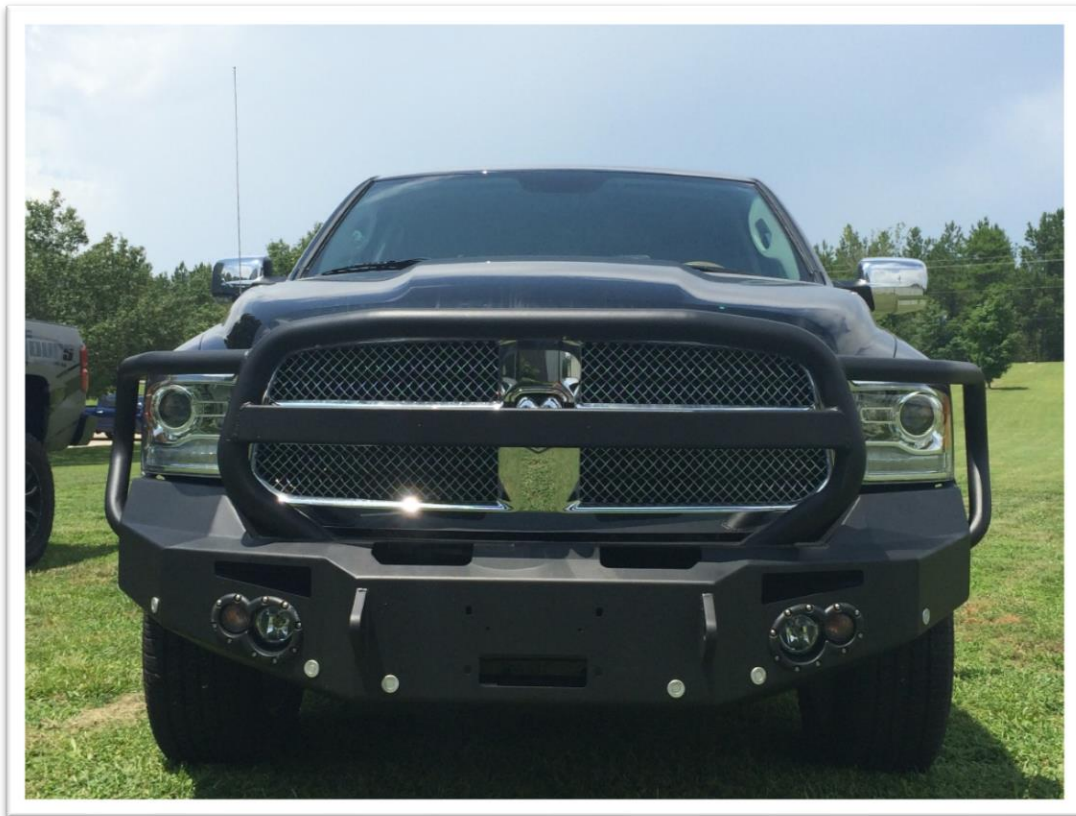
Product Number: F2950, F2951, F2952
Application: 2013-2018 Dodge 1500

I. Overview

Congratulations on your new purchase of the industries' best and most stylish Front Bumper available for the 2013-2015 Dodge 1500! This bumper has been engineered for strength while keeping the weight down.

Your front bumper is designed in 3-D from digitized data, CNC laser cut, fabricated, and powder coated... all in the U.S.A.

Enjoy the fit and finish of a quality Dodge 1500 Front Bumper from Fab Fours!



F295X_REV_A



Installation Instructions

Dodge 1500 Premium Front Bumper

Product Number: F2950, F2951, F2952
Application: 2013-2018 Dodge 1500

Parts List

- F295X replacement bumper
- 50008-HW fastener kit
- HDLA-HW
- 4 Stud Plates
- Light Kitting [i.e. 20090(2), 61737(2), 61738(2) (61675(2))]
- Instruction Manual

Tools Required

- Socket Wrench with Extension (Ratcheting wrenches may also be convenient)
- 7mm, 15mm, & 18mm Sockets and Box End Wrenches
- Flat Head Screwdrivers
- Floor jack and wood block
- Due to the limited space, a ratchet with a 3/8" driver and a shorter socket are also recommended.

II. Removal of OEM Bumper

NOTE: SAVE ALL OEM PARTS UNTIL INSTALLATION IS COMPLETE!

- A. Open hood and locate push pins on radiator cover. Using a flat head screwdriver, pull the head of the push pins up, remove push pin and lift radiator cover off. This will allow access to top grill bolts. (Ref. Figure 1).



Figure 1



F295X_REV_A



Installation Instructions

Dodge 1500 Premium Front Bumper

Product Number: F2950, F2951, F2952
Application: 2013-2018 Dodge 1500

- B. Remove the fasteners connecting the grill to the frame. Four bolts are located at the top of the grill and two pins are located behind the grill at the bottom.



- C. Remove fender flares from the vehicle. Unfasten the screws located in the wheel well, connecting the wheel well liner and the fender flares to the vehicle. (Ref. Figure 2a)
Carefully pull both the fender flare and liner away from the vehicle. This will provide access to the interior cavity. (Ref. Figure 2b)



Figure 2a





Installation Instructions

Dodge 1500 Premium Front Bumper

Product Number: F2950, F2951, F2952

Application: 2013-2018 Dodge 1500



Figure 2b

- D. Removal of the headlight is necessary for wiring the Fab Fours bumper. It also helps with accessing the bolts that hold the corners of the valences. To remove the headlights, unscrew the bolts indicated in Figure 3a. Reaching behind the headlight via the wheel well cavity pull down on the white plastic clip. Carefully pull the headlight away from truck.



Figure 3a



F295X_REV_A



Installation Instructions

Dodge 1500 Premium Front Bumper

Product Number: F2950, F2951, F2952
Application: 2013-2018 Dodge 1500



Figure 3b

- E. At this point the valence is still held in place by the black “backing support” secured to the frame by hex head screws, as well as screws at the front and corner of the valence (Ref. Figures 4a-c). Remove screws indicated in figures a through b and carefully remove valence from backing support.



Figure 4a



Figure 4b





Installation Instructions

Dodge 1500 Premium Front Bumper

Product Number: F2950, F2951, F2952
Application: 2013-2018 Dodge 1500



Figure 4c

F. First disconnect battery. Then, disconnect the electrical and sensor harnesses from vehicle. Both will be located on the driver side of the vehicle. (Ref. Figures 5a-b)

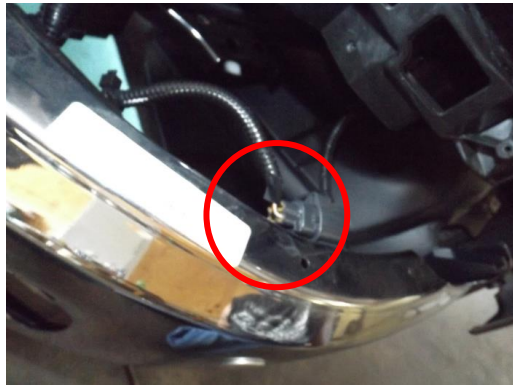


Figure 5a



Figure 5b

G. Remove the three bolts securing tow hooks to frame.



Figure 6a

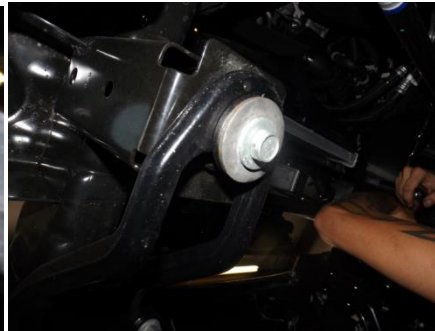


Figure 6b





Installation Instructions

Dodge 1500 Premium Front Bumper

Product Number: F2950, F2951, F2952
Application: 2013-2018 Dodge 1500

- H. Remove the fasteners connecting the bumper to the frame. Using a socket/wrench remove bolts from the back of the bracket connected to the bumper. Pull bumper away from vehicle. Repeat process on each side of vehicle. (Ref. Figures 7a-b)



Figure 7a



Figure 7b

- I. Replace valence and grill by reversing the order of relevant removal steps.

SENSOR BUMPER NOTE: PARKING SENSORS ARE EXTREMELY DELICATE AND MUST BE HANDLED WITH CARE! Do NOT touch or shift the clear rubber grommet that surrounds the sensor face.





Installation Instructions

Dodge 1500 Premium Front Bumper

Product Number: F2950, F2951, F2952
Application: 2013-2018 Dodge 1500

- J. Remove OEM electrical harness from bumper. Disconnect harnesses from fog lights and sensors. Sensors can be disconnected from housing by depressing the plastic clip indicated by the red square (ref. Figure 8a).

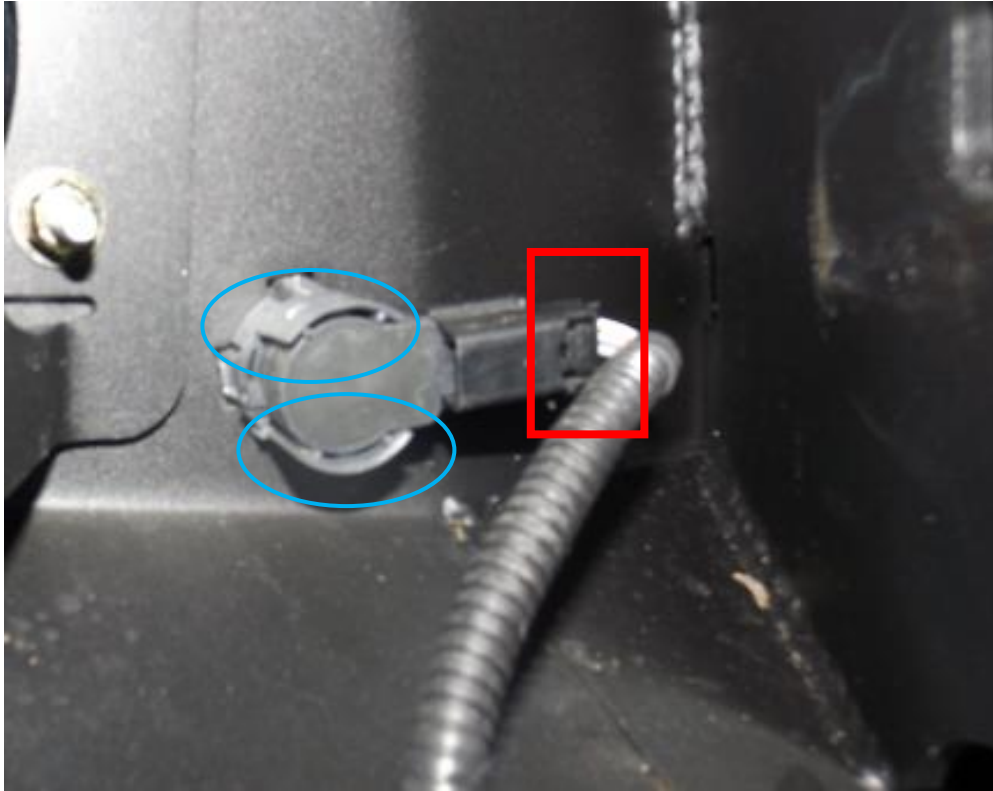


Figure 8a

- K. Pop out plastic clips holding harnesses to bumper on both sides and carefully pull away.
- L. **CAREFULLY** remove sensors from plastic housing by gently pulling the top and bottom tabs, indicated by blue circles (Ref. Figure 8a), away as sensor is pulled out. **Do not push on front of sensor as this will damage the membrane.** Place sensors face up in a safe location.
- M. Remove plastic housing from OEM bumper by depressing the four plastic tabs around the inside and pushing housing out. **All sensor housings will have to be placed into the Fab Fours bumper in the same location as they were removed from OE bumper. (e.g. Outer right sensor clip must go into the outer right sensor hole in the Fab Fours bumper.)**





Installation Instructions

Dodge 1500 Premium Front Bumper

Product Number: F2950, F2951, F2952
Application: 2013-2018 Dodge 1500

III. Pre-Installation

NOTE: The Following Installation steps apply to the installation of the Front Bumper. PLEASE READ THE ENTIRE MANUAL BEFORE ATEMPTING INSTALLATION. Ignoring these steps will increase your probability of scratching the vehicle during product installation.

- A. Remove the bumper from the shipping carton. Lay all items out on a non-scratch surface to prevent damage to the powder coating.
- B. For sensor installation run sensor harness under winch tray. Reverse steps J through M in previous section making sure that the clear plastic grommet is on properly and sensors appear centered in their housings. Final installation of sensors on driver side should appear as follows with passenger side sensors mirrored. (Ref. Figures 9a-f)



Figure 9a





Installation Instructions

Dodge 1500 Premium Front Bumper

Product Number: F2950, F2951, F2952

Application: 2013-2018 Dodge 1500

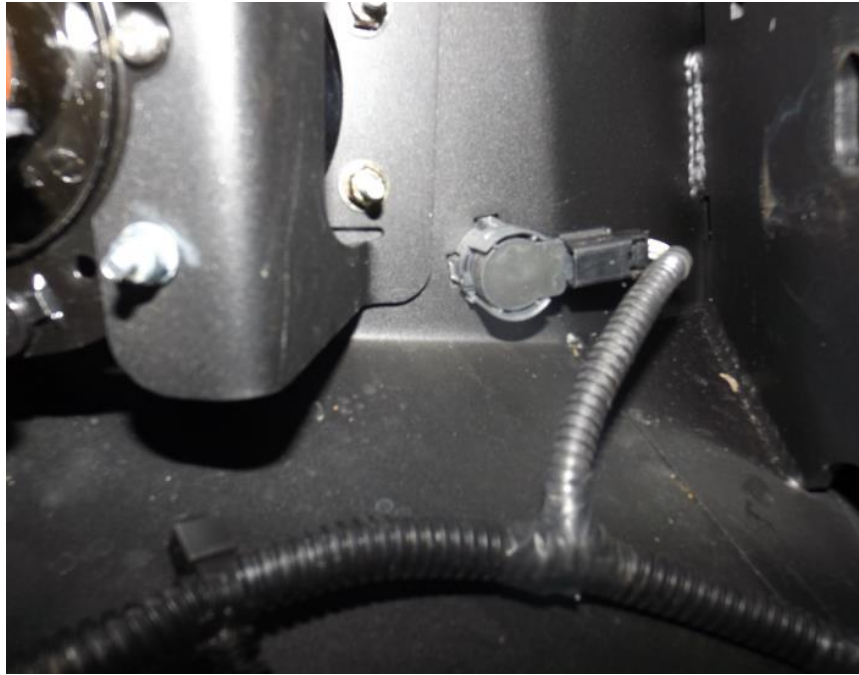


Figure 9b

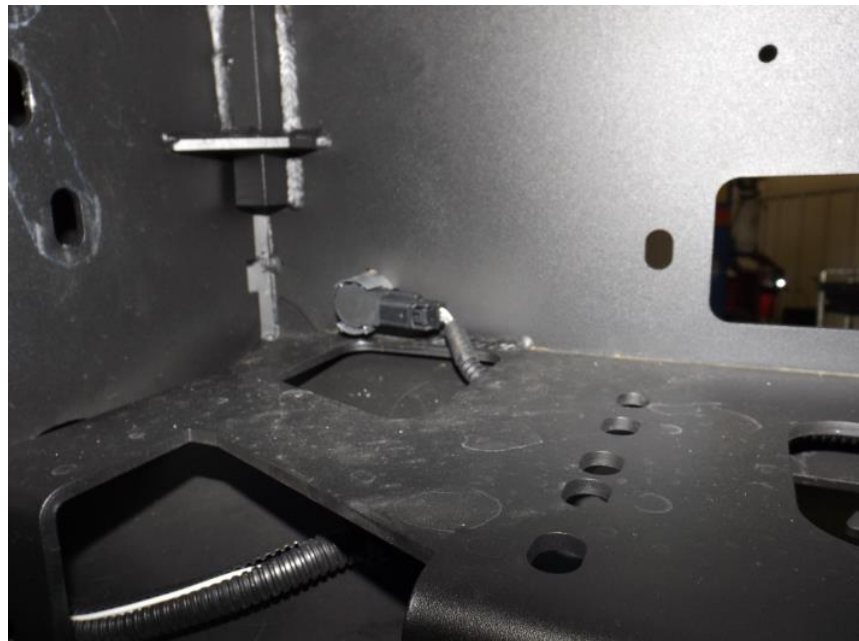


Figure 9c



F295X_REV_A



Installation Instructions

Dodge 1500 Premium Front Bumper

Product Number: F2950, F2951, F2952

Application: 2013-2018 Dodge 1500



Figure 9d



Figure 9e



F295X_REV_A



Installation Instructions

Dodge 1500 Premium Front Bumper

Product Number: F2950, F2951, F2952
Application: 2013-2018 Dodge 1500

- C. Wire into OEM electrical harness and headlight wiring using supplied tap connectors for fog and turn signal. It is strongly recommended a multimeter or its equivalent is used to confirm wiring before splicing.



Figure 10a

- D. Connect supplied wiring to tap connectors and run turn signal wiring out of the bottom. (Ref. Figure 10a) **DO NOT CONNECT WIRING TO BUMPER UNTIL FULLY INSTALLED.**





Installation Instructions

Dodge 1500 Premium Front Bumper

Product Number: F2950, F2951, F2952
Application: 2013-2018 Dodge 1500

FAB FOURS TURN INDICATOR WIRING

WHITE WIRE = GROUND
BROWN WIRE = RUNNING
RED WIRE = TURN

FAB FOURS FOG LIGHT WIRING

WHITE WIRE = GROUND
BLACK WIRE = POWER

Note: For customers that are going from LED to our LED lights you should not need to use the provided resistors

For customers that are going from Halogen to our LED lights then you may need to use the provided resistors on our turn indicators; please wire the resistors between your power and ground wire

*Use a multi-meter or test light to determine the correct location for each wire



F295X_REV_A



Installation Instructions

Dodge 1500 Premium Front Bumper

Product Number: F2950, F2951, F2952

Application: 2013-2018 Dodge 1500

- E. Install turn indicators into the plastic light insert using three self-tapping screws as shown below.

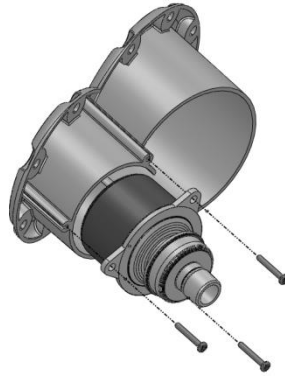


Figure 12a

- F. Install the light inserts with turn indicators into the cutout in the bumper. Use the $\frac{3}{4}$ " length $\frac{1}{4}$ " stainless steel button head, $\frac{1}{4}$ " washers and hex nuts to fasten the insert through the *holes shown below*.

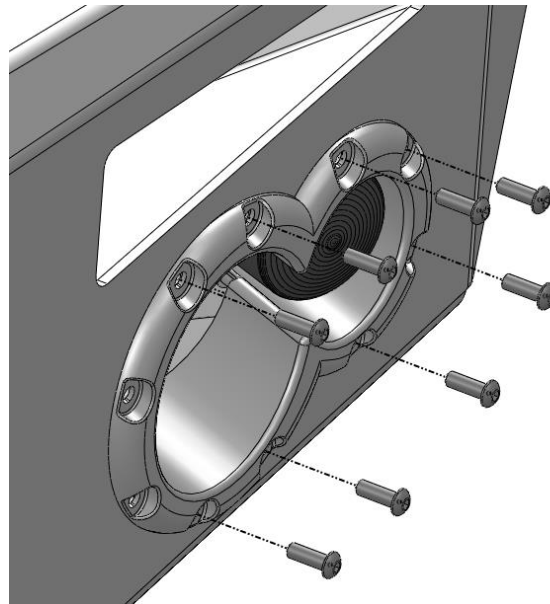


Figure 13a



F295X_REV_A



Installation Instructions

Dodge 1500 Premium Front Bumper

Product Number: F2950, F2951, F2952
Application: 2013-2018 Dodge 1500

- G. Install the Fab Fours fog lights into the mounting brackets as shown below using the #8 button head screws, washers, and hex nuts.

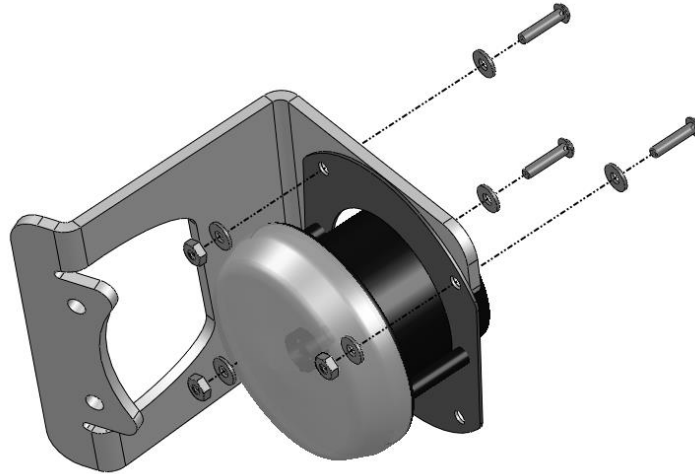


Figure 14a

- H. Install the fog light and bracket into the bumper using the remaining two holes available in the light insert. Use the 1-1/2" length 1/4" stainless steel button heads with 1/4" washers and nuts.

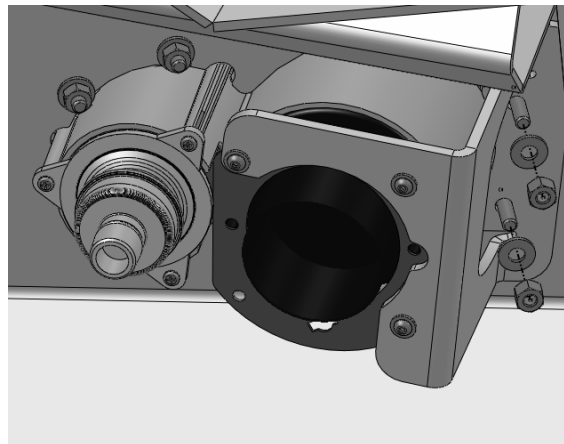


Figure 15a





Installation Instructions

Dodge 1500 Premium Front Bumper

Product Number: F2950, F2951, F2952
Application: 2013-2018 Dodge 1500

I. Secure OEM electrical harness to the Fab Fours bumper.

J. Repeat steps A through I for other side.

OPTIONAL: If installing winch and roller fairlead into bumper, do so at this point. Mount winch to bumper using two bolts to hold in it in place. Following steps A through C in front bumper installation, then remove bolts and slide winch left to right as necessary to install stud plates.

Follow the winch manufacturer's instructions for installation. **If you are installing a winch with a pulling capacity of 12,000 lbs., the front face mounting holes must be used.**

If not installing a winch, a license plate may be installed onto the front face of the bumper.



F295X_REV_A



Installation Instructions

Dodge 1500 Premium Front Bumper

Product Number: F2950, F2951, F2952
Application: 2013-2018 Dodge 1500

IV. Front Bumper Installation

- A. Mount brackets to truck frame. Four bolts pass through the front of the frame and are indicated by the red box. One bolt passes through the bottom is indicated by the blue circle (Ref. Figures 16a-b). All bolts should be hand tight to allow for adjustment.



Figure 16a

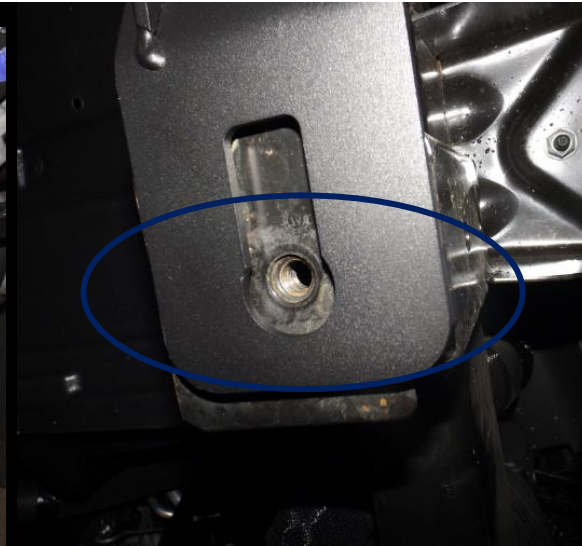


Figure 16b

- B. Mount bracket to bumper. With the help of at least two others, and a floor jack to support the center of the bumper and help to keep it level, lift the Fab Fours bumper into place. Do Not Fully Tighten, Hand Tighten Only!
- C. Insert the stud plates from the inside facing out and tighten. **Please note if a winch is being mounted then stud plates must be inside facing out.** Due to the limited space, a ratchet with a 3/8" driver and a shorter socket are recommended. Do Not Fully Tighten, Hand Tighten Only!





Installation Instructions

Dodge 1500 Premium Front Bumper

Product Number: F2950, F2951, F2952
Application: 2013-2018 Dodge 1500



Figure 17a

- D. Align the bumper side to side and top to bottom to ensure a perfect fit to the truck. Allow at least 0.375" of clearance from all painted surfaces if possible.
- E. Fully tighten all fasteners between bumper and brackets as well as brackets and frame.
- F. Connect electrical and sensor harnesses before reconnecting battery.
- G. Refer to Appendix A if a sensor warning or fault appears when starting the vehicle.
- H. Enjoy your new Fab Fours front replacement bumper!





Installation Instructions

Dodge 1500 Premium Front Bumper

Product Number: F2950, F2951, F2952
Application: 2013-2018 Dodge 1500

Bumper Maintenance & Care

- Periodically check and tighten all fasteners.
- Stripped, fractured, or bent bolts or nuts need to be replaced.
- After washing of the vehicle make sure to fully dry all surfaces

APPENDIX A. Troubleshooting Vehicle Sensors

- **Start with a general inspection of the sensor fitment. Check that both the sensors and the sensor clips are fully secure and the sensors are properly centered in the housing.**
- **Confirm plastic housing is in the correct mounting holes. Misplaced sensor housings could compress sensor and give false readings or faults.**
- **Use a clean microfiber to wipe the front face of the sensor.**
- **Inspect connection. Be sure that the sensor is firmly seated into the harness.**
- **Run through several start cycles (i.e. fully turn the vehicle on and off).**
- **Finally, disconnect the battery to reset the sensors.**

If sensors still do not work, sensors may have been damaged during the installation process. Take vehicle to a certified dealership.

