



INSTALLATION MANUAL
MATRIX FRONT BUMPER
PRODUCT NUMBER: X325X
APPLICATION: 2015-17 FORD F150



IMPORTANT SAFETY GUIDE | Your safety and the safety of others is very important.

In order to help you make informed decisions about safety, we have provided the following warnings, safety precautions, installation instructions, and other important information to alert you to potential hazards that could hurt you or others.

Please do a job safety analysis before each task to identify potential hazards for your situation and remove/protect against them. Use own good judgment and take your time.

Check packaged materials immediately upon arrival to ensure that all listed parts are included and undamaged.

Read and understand all warnings, safety precautions, and instructions before installing this product.

SENSORS FIELD OF VIEW MAY BE ALTERED WITH USE OF THE REPLACEMENT BUMPER.

WARNINGS

- Failure to observe the following warnings and instructions provided in this manual could lead to severe injury and/or death.
- For professional installation only. Careless installation and/or operation can result in serious injury, death, and/or equipment damage. All liability for installation and use rests with the user or consumer.
- Fab Fours, Inc. only approves installing this product according to these written instructions with the hardware provided. Failure to install according to these instructions will invalidate the warranty. This includes, but is not limited to, using alternative installation methods, hardware, or materials.
- This product is for off road use only.

SAFETY PRECAUTIONS

- Always remove jewelry and wear eye protection.
- Always use extreme caution when jacking up a vehicle for work. Set emergency brake and use tire blocks. Locate and use the vehicle manufacturers designated lifting points. Use jack stands.
- Always use appropriate and adequate care in lifting components into place.
- Always ensure components will remain secure during installation and operation.
- Always wear safety glasses when installing this kit. A drilling operation will cause flying metal chips. Flying chips can cause serious eye injury.
- Always use extreme caution when drilling a vehicle. Always disconnect power before welding. Thoroughly inspect the area to be drilled (on both sides of material when possible) prior to drilling, and relocate any objects that may be damaged.
- Always use extreme caution when welding a vehicle. Thoroughly inspect the area to be welded (on both sides of material when possible) prior to welding, and relocate any objects that may be a fire hazard. When welding in a cab, make sure the interior surfaces are covered (e.g., welding blanket) and a fire extinguisher is at hand.
- Always use extreme caution when cutting and trimming during fitting.
- Always tighten all nuts and bolts securely per installation instructions.
- Always route electrical cables carefully. Avoid moving parts, components that become hot, and rough or sharp edges.
- Always insulate and protect all exposed wiring and electrical terminals.
- Perform regular inspections and maintenance on mounts and hardware.

TABLE OF CONTENTS

- 2 SAFETY / DISCLAIMER
- 3 TABLE OF CONTENTS
- 4 A MESSAGE FROM THE OWNER
- 5 GETTING STARTED
- 6 PROVIDED MATERIAL
- 8 DISASSEMBLY
- 12 INSTALLATION
- 17 CONTACT

A MESSAGE FROM THE OWNER



Fab Fours' was born out of a passion for customizing vehicles and a love of the outdoors. Our engineering team uses the latest 3D design software to turn new product ideas into reality. In our factory, designs come to life with the combination of cutting edge technology for metal cutting and forming and an American workforce that puts its' heart and pride into every product.

From design and manufacturing, to quality and delivery, Fab Fours' mission is to be the market leader for steel truck and jeep accessories. We make sure a quality product is delivered on time, more than expected, better than expected to our customers.

Enjoy your new Fab Fours product. Welcome to the family!

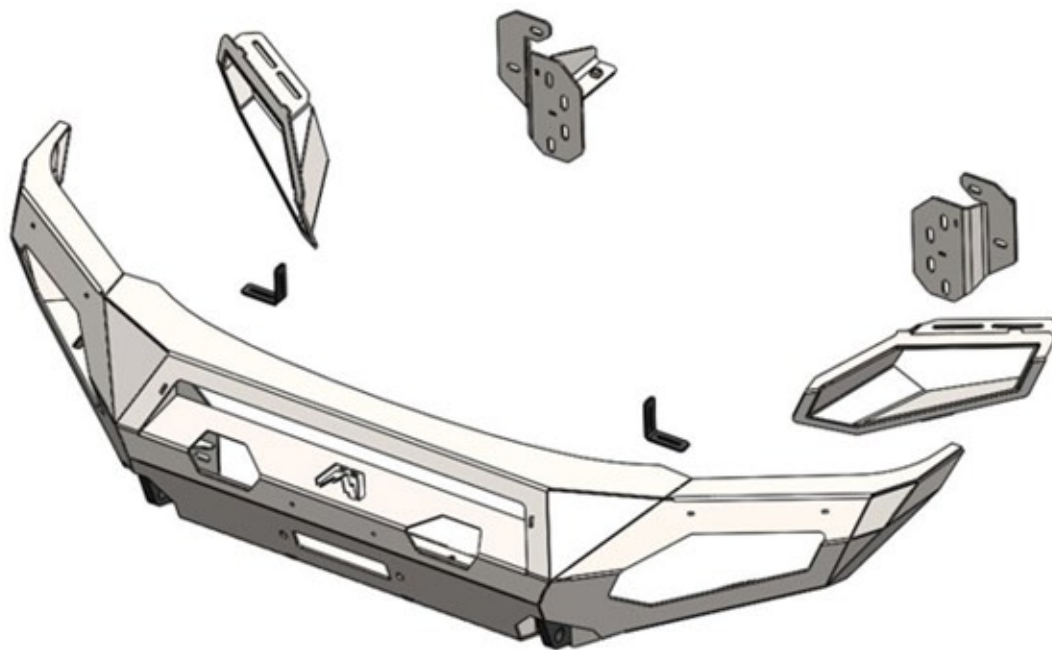
Greg Higgs

FOUNDER, FAB FOURS

GETTING STARTED

Before you begin the installation process of your new Fab Fours product, we suggest laying out all materials and parts on a pad or protective surface.

Failure to fully account for all components before beginning installation may leave vehicle immobile until part is acquired. Refer to the next pages as an inventory check.



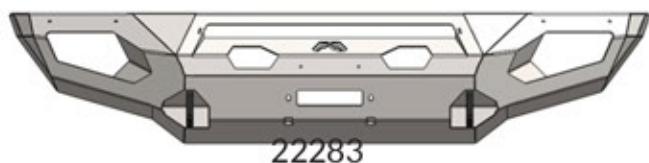
PROVIDED MATERIALS



X325X-IM



50247-HW



22283



20296 x4



22321



22320



22303



22302



22321 x2

TOOLS REQUIRED

- 7mm Socket wrench
- 13mm Socket wrench
- 15mm Socket wrench
- 18mm socket wrench
- T10 Star head socket wrench
- 3/8" Socket wrench
- 5/16" Socket wrench
- 1/2" Socket wrench
- 11/16" Socket wrench
- 5/8" Socket wrench
- 1/2"-13 Tap
- E6 External torx socket
- Body Pry Tool

ASSISTANCE

We recommend two people perform the installation as items are heavy and may need to be held in place while installing.

ORGANIZATION

Disassemble the vehicle where you can catalog and store everything. We suggest labeling and bagging all the OEM bolts when removing from the vehicle. Failure to keep track of parts could lead to an inability to properly reinstall components.

PROVIDED MATERIALS

HARDWARE KIT | 50247

FAB FOURS IDENTIFICATION	COMPONENT DESCRIPTION	QTY
50247-HW	1/2"-13, Hex Nut , Zinc, GR8	12
50247-HW	1/2 SAE FLAT WASHER GRADE 8 Z&Y	16
50247-HW	1/2"-SAE Lock Washer , Zinc, GR8	12
50247-HW	1/2"-13 x 1.25", HHCS , Zinc, GR8	4
50247-HW	5/16"-18 X 1.0" HHCS (GR8/YZ)	2
50247-HW	5/16"-SAE Lock Washer , Zinc, GR8	2
50247-HW	5/16" FLAT FENDER WSHR (SS) - 1.5" OD	2
50247-HW	1/4"-20 x 1", HHCS , Zinc, GR8	2
50247-HW	1/4"-20 Hex Nut , Zinc, GR8	2

FAB FOURS IDENTIFICATION	COMPONENT DESCRIPTION	QTY
50247-HW	1/4"-SAE Flat Washer , Zinc, GR8	4
50247-HW	1/4"-SAE Lock Washer , Zinc, GR8	2
50247-HW	7/16"-14 x 1.25", HHCS , Zinc, GR8	4
50247-HW	7/16"-SAE Lock Washer , Zinc, GR8	4
50247-HW	7/16"-SAE Flat Washer, Zinc, GR8	4

DISASSEMBLY

NOTE: Save all OEM parts until installation is complete!

1. Using a flathead screwdriver, carefully remove center plastic piece, indicated by oval in the center of the OE bumper. (Fig 1a; 1b)



Figure 1a



Figure 1b

2. Using 21 mm socket, remove the three nuts per side, two are located under the plastic center piece (ref. fig. 2a-b) and the third accessible from the back of the frame (ref. fig. 2c). If front OEM bumper contains sonar (ref. fig. 2b), remove four bolts with 11 mm. If your bumper includes a sonar device, remove it now using a 12 point, 4mm socket. Unplug the device.



Figure 2a



Figure 2b



Figure 2c

3. To remove the electrical harness, unplug fog light and remove one (1) Christmas tree plug on each side. At this time, carefully pull away bumper checking to make sure nothing is still connected.

4. Pull rubber covers off the tow hooks. Use a 15 mm socket to remove the two bolts per side holding the tow hook in place. (Fig 3)



Figure 3

5. Slide out both nut strips from the frame channel when done



Figure 9

6. If your vehicle model includes a louver system for the intercooler located between the frame mounts, the shroud must be removed. Special care must be taken not to damage louvers when cutting around the base of the rectangular shroud, a cut off wheel is recommended. (Fig 4)



Figure 4 (Louver w/ shroud cut away at base)

7. Using a plastic pry tool remove the push pins that hold the rubber piece under the headlights. Do this on both sides. (Fig 5a;5b)



Figure 5a



Figure 5b

INSTALLATION

8. Use a 1/2" socket wrench along with the 5/16" bolts, flat and lock washers to install the light boxes (22185-22186) (50225-HW). (Fig 6)



Figure 6

9. If installing a 30" light bar: Do so now using the two provided L-brackets along with the 1/4" mounting hardware (50225-HW). Use a 3/8" and 5/16" socket wrench to install. (Fig 7)



Figure 7

10. If applicable: Install winch per manufacturers instructions at this time.

11. Insert bolt strips (20296) into top slots of both bracket (i.e. 22320 & 22321) and secure with duct tape (Fig 8a;8b)



Figure 8a



Figure 8b

12. Insert bracket into the frame and using two ½" bolt stacks loosely bolt bracket to front face of frame (Fig 9a;9b)

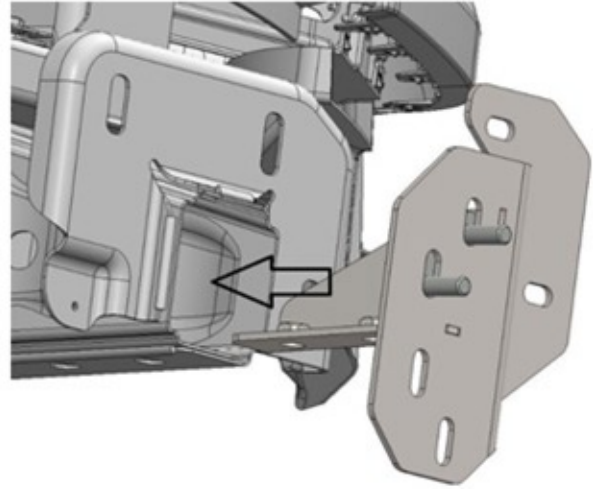


Figure 9a

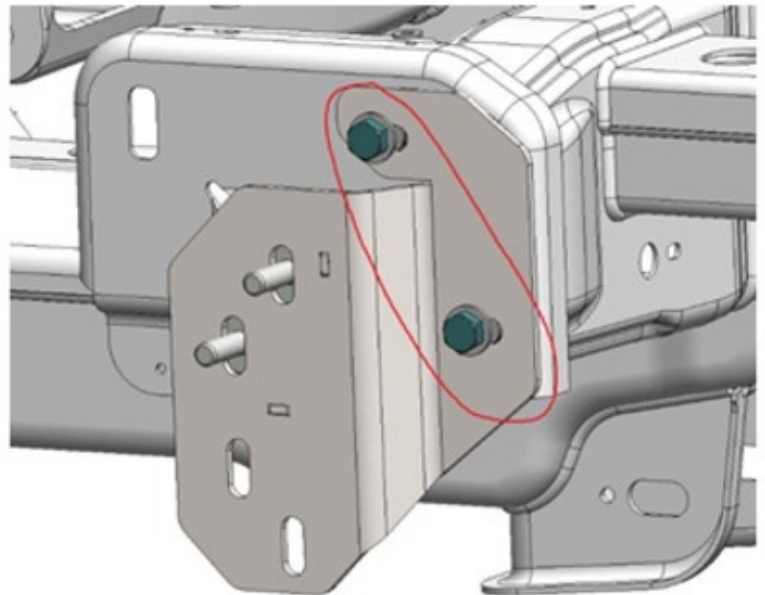


Figure 9b

13. Using two 7/16" bolt stacks, bolt through the frame into the bottom of the flange where indicated by arrows, do this on both sides. Tighten down all bolting to frame. (Fig 10a;10b)

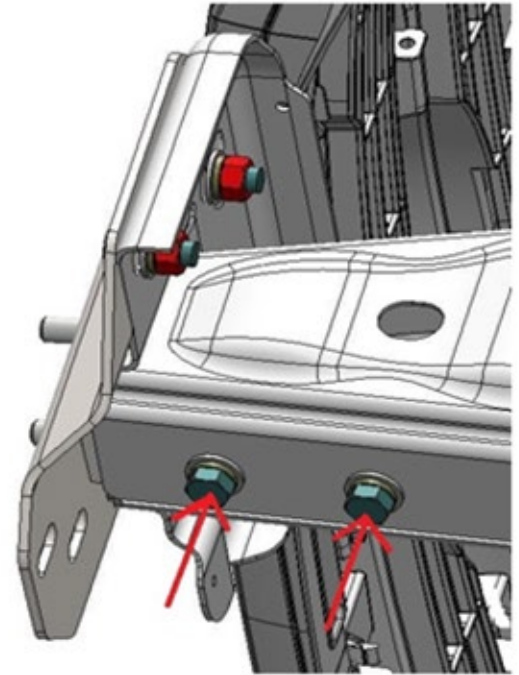


Figure 10a



Figure 10b

14. With the help of others mount bumper to brackets. At this point, please take care not to knock duct taped bolt strip out of bracket as it will fall into the frame and be inaccessible. Once bumper is mounted insert second set of bolt strips into lower slots of brackets. Loosely bolt down all bolt strips using the $\frac{1}{4}$ " hardware and a $\frac{7}{16}$ " ratcheting wrench. (Fig 11a;11b)



Figure 11a



Figure 11b

15. Adjust bumper such that it looks symmetric and has clearance from fenders for body mount flex.