



# Installation Instructions

## GMC Canyon Premium Front Bumper

Product Number: H3450, H3451, H3452  
Application: 2015-2018 GMC CANYON

---

## SAFETY

---

**Your safety and the safety of others is very important.**

- In order to help you make informed decisions about safety, we have provided installation instructions and other information.
- These instructions alert you to potential hazards that could hurt you or others.
- Please do a job safety analysis before each task to identify potential hazards for your situation and remove/protect against them.
- You must use your own good judgment, and take your time.

Read and understand all safety precautions and instructions before installing this product.

**THIS PRODUCT IS FOR OFFROAD USE ONLY. ALL LIABILITY FOR  
INSTALLATION AND USE RESTS WITH THE OWNER.**

**CARELESS INSTALLATION AND OPERATION CAN RESULT IN SERIOUS INJURY  
OR EQUIPMENT DAMAGE.**

---

## Injury hazard

---

**Failure to observe these instructions could lead to severe injury or death.**

- Always remove jewelry and wear eye protection.
- Always use extreme caution when jacking up a vehicle for work. Set emergency brake and use tire blocks. Locate and use the vehicle manufacturers designated lifting points. Use jack stands.
- Always use appropriate and adequate care in lifting components into place.
- Always ensure components will remain secure during installation and operation.
- Always wear safety glasses when installing this kit. A drilling operation will cause flying metal chips. Flying chips can cause serious eye injury.
- Always use extreme caution when drilling on a vehicle. Thoroughly inspect the area to be drilled (on both sides of material) prior to drilling, and relocate any objects that may be damaged.
- Always use extreme caution when cutting and trimming during fitting.
- Always tighten all nuts and bolts securely per installation instructions.
- Always route electrical cables carefully. Avoid moving parts, components that become hot and rough or sharp edges.
- Always insulate and protect all exposed wiring and electrical terminals.
- Always perform regular inspections and maintenance on mounts and related hardware.



H345X\_REV\_A



# Installation Instructions

## GMC Canyon Premium Front Bumper

Product Number: H3450, H3451, H3452  
Application: 2015-2018 GMC CANYON

### I. Overview

Congratulations on your new purchase of the industries' best and most stylish front bumper available for the 2015 GMC Canyon! This bumper has been engineered for strength while keeping the weight down.

Your front bumper designed in 3-D from digitized data, CNC laser cut, fabricated, and powder coated... all in the U.S.A.

Enjoy the fit and finish of a quality GMC Canyon Front Bumper from Fab Fours Inc.



H345X\_REV\_A



# Installation Instructions

## GMC Canyon Premium Front Bumper

Product Number: H3450, H3451, H3452  
Application: 2015-2018 GMC CANYON

### Parts List

- H345X replacement bumper and brackets
- 50055-HW fastener kit
- HDLA-HW
- 4 Stud plates
- Light kitting [i.e. 20090(2), 61737(2), 61738(2), 61675(2), 20995, 20996]
- Instruction manual

### Tools Required

- Socket wrench with extension (ratcheting wrenches may also be convenient)
- 7mm, 10mm, 15mm, 18mm, and 3/4" sockets and box end wrenches
- T15 torx
- Hex key sets
- Flat head screw drivers
- Floor jack and wood block.
- Tape (recommended)

## II. Removal of OEM Bumper

**Note: Save all OEM parts until installation is complete!**

- A. Using a T-15 TORX bit, removed 7 front inner fender bolts on each side of the vehicle. Keep the stock hardware. The portions of the fender lining that aren't trimmed to fit will be bolted back into place.
- B. Unplug fog lights by reaching through the fender well lining that has been pulled back.



H345X\_REV\_A



# Installation Instructions

## GMC Canyon Premium Front Bumper

Product Number: H3450, H3451, H3452  
Application: 2015-2018 GMC CANYON

- C. Using a 10 mm socket, remove two additional bolts (one per side) holding the front bumper to the truck from beneath.



- D. Using a 10mm socket and extensions, go through the grill and remove the two bolts holding it to the vehicle.



H345X\_REV\_A



# Installation Instructions

## GMC Canyon Premium Front Bumper

Product Number: H3450, H3451, H3452  
Application: 2015-2018 GMC CANYON

- E. Using a 7mm socket, remove the three bolts per side holding the bumper to the fender.



H345X\_REV\_A



# Installation Instructions

## GMC Canyon Premium Front Bumper

Product Number: H3450, H3451, H3452  
Application: 2015-2018 GMC CANYON

**F. Remove the 9 clips holding the upper engine cover above the grill.**



H345X\_REV\_A

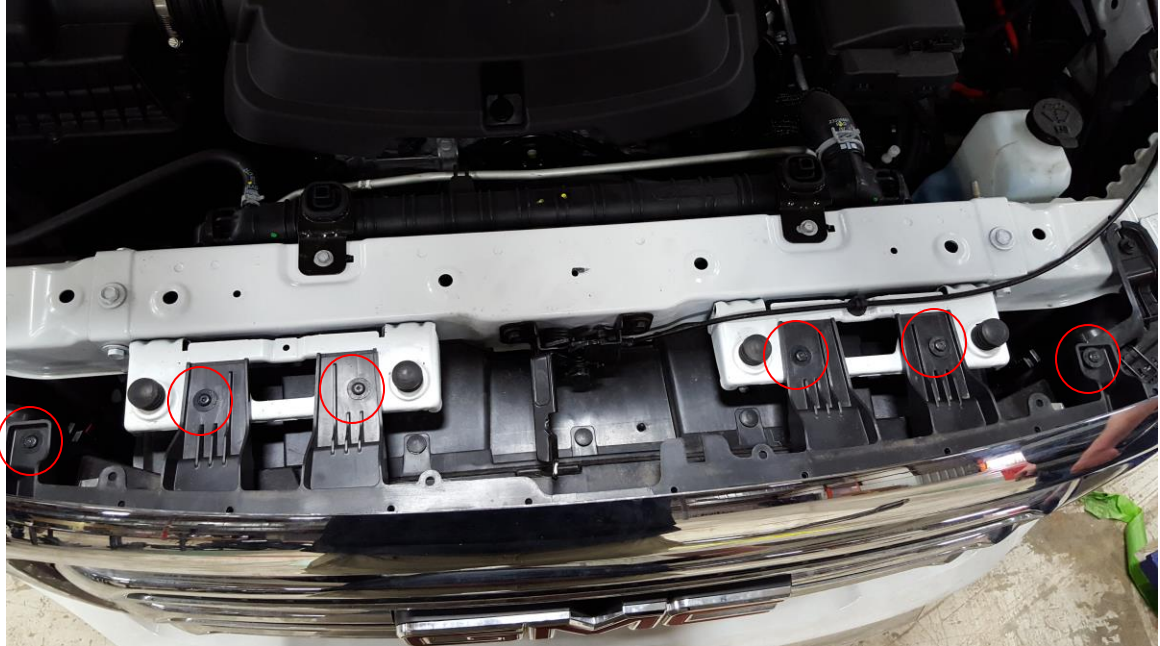


# Installation Instructions

## GMC Canyon Premium Front Bumper

Product Number: H3450, H3451, H3452  
Application: 2015-2018 GMC CANYON

**G. Using a T-15 TORX, remove 6 bolts holding the grill to the vehicle.**



**H. Remove the grill and bumper as one piece and detach the grill from the bumper by releasing the clips.**



H345X\_REV\_A



# Installation Instructions

## GMC Canyon Premium Front Bumper

Product Number: H3450, H3451, H3452  
Application: 2015-2018 GMC CANYON

### III. Pre-Installation

**NOTE:** The following installation steps apply to the installation of the front bumper. **PLEASE READ THE ENTIRE MANUAL BEFORE ATTEMPTING INSTALLATION.** Ignoring these steps will increase your probability of scratching the vehicle during product installation.

- A. **Remove the bumper from the shipping carton. Lay all items out on a blanket to prevent damage to the powder coating.**
- B. **Tap into OEM electrical harness and wiring using supplied tap connectors using the diagram on the following page.**
- C. **Connect supplied wiring harness to tap connectors. DO NOT CONNECT LIGHTS UNTIL BUMPER IS INSTALLED.**

#### FAB FOURS TURN INDICATOR WIRING

WHITE WIRE = GROUND

BROWN WIRE = RUNNING

RED WIRE = TURN

#### FAB FOURS FOG LIGHT WIRING

WHITE WIRE = GROUND

BLACK WIRE = POWER

\*Note: For customers that are going from LED to our LED lights you should not need to use the provided resistors\*

\*For customers that are going from Halogen to our LED lights then you may need to use the provided resistors on our turn indicators; please wire the resistors between your power and ground wire\*

\*Use a multi-meter or test light to determine the correct location for each wire



H345X\_REV\_A



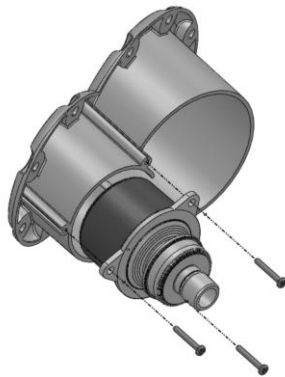


# Installation Instructions

## GMC Canyon Premium Front Bumper

Product Number: H3450, H3451, H3452  
Application: 2015-2018 GMC CANYON

- D. The fog light wiring may be installed at this time. To do so, connect wiring to fog light and tap into OEM fog light wiring using supplied tap connectors. Secure excess wiring to bumper.
- E. Install turn indicators into the plastic light insert using three self-tapping screws as shown below:



- F. Install the light inserts with turn indicators into the cutout in the bumper. Use the  $\frac{3}{4}$ " length  $\frac{1}{4}$ " stainless steel button head,  $\frac{1}{4}$ " washers and hex nuts to fasten the insert through the holes shown below:



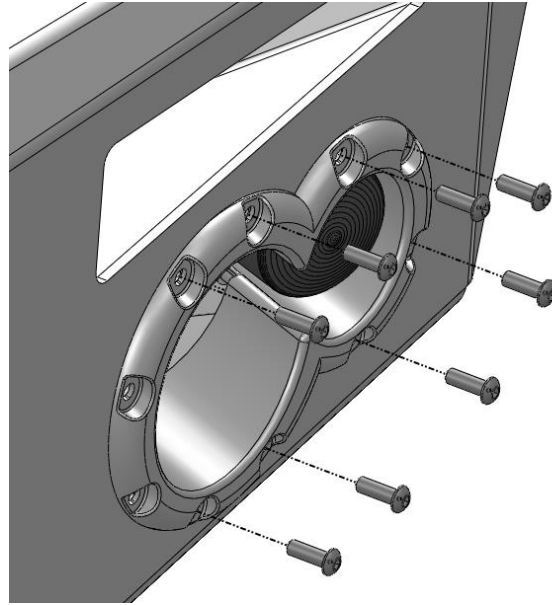
H345X\_REV\_A



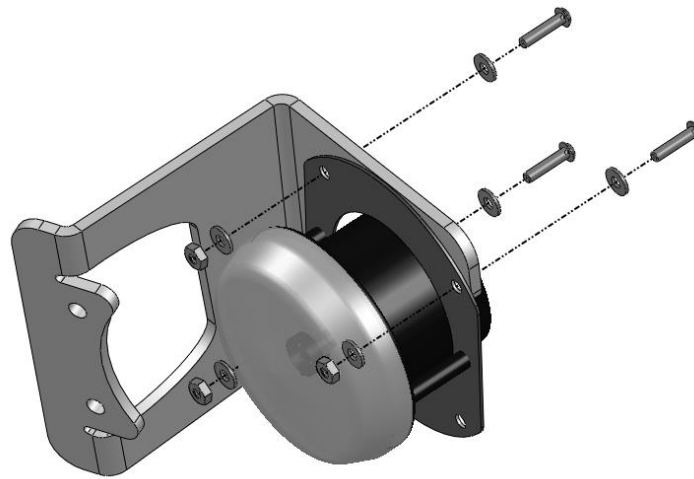
# Installation Instructions

## GMC Canyon Premium Front Bumper

Product Number: H3450, H3451, H3452  
Application: 2015-2018 GMC CANYON



- G.** Install the Fab Fours fog lights onto the mounting brackets as shown below using the #8 button head screws, washers, and hex nuts.



- H.** Install the fog light and bracket into the bumper using the remaining two holes available in the light insert. Use the 1-1/2" length 1/4" stainless steel button heads with 1/4" washers and nuts.



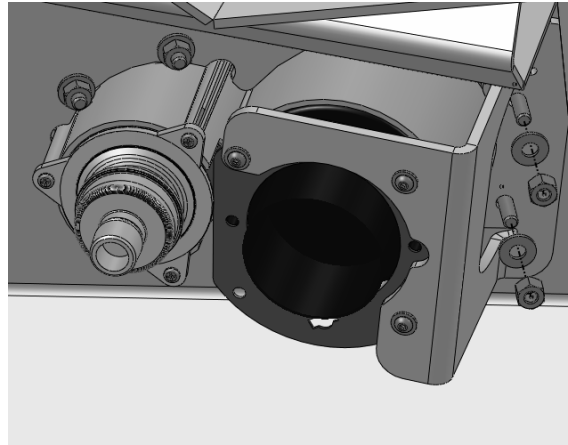
H345X\_REV\_A



# Installation Instructions

## GMC Canyon Premium Front Bumper

Product Number: H3450, H3451, H3452  
Application: 2015-2018 GMC CANYON



- I. Secure OEM electrical harness to the Fab Fours bumper.
- J. Repeat steps G through K for other side.

**Optional:** If installing winch and roller fairlead into bumper, do it at this time. Follow the winch manufacturer's instructions for installation. This bumper supports a M8000 winch and control box. Other winches may be used, but they may require relocation of the control box or cutting of the vehicle. Fab Fours is NOT responsible for any damage you do to your truck if you choose to cut or alter your vehicle in any way.

Note that if you are installing the M8000 control box in the recommended location, you must put the bolt strips into place and secure with retaining washers before installing the box and winch. Use the following pictures for mounting location and wiring.



H345X\_REV\_A



# Installation Instructions

## GMC Canyon Premium Front Bumper

Product Number: H3450, H3451, H3452  
Application: 2015-2018 GMC CANYON



If not installing a winch, a license plate may be installed onto the front face of the bumper.



H345X\_REV\_A



# Installation Instructions

## GMC Canyon Premium Front Bumper

Product Number: H3450, H3451, H3452  
Application: 2015-2018 GMC CANYON

### IV. Front Bumper Installation

- A. Mount bracket to truck frame. Use the OEM hardware to secure brackets. They may be tightened at this time.



- B. Install the provided stud plates from inside the winch tray with the threads pointing to the rear of the vehicle. Secure with retaining washers.



H345X\_REV\_A



# Installation Instructions

## GMC Canyon Premium Front Bumper

Product Number: H3450, H3451, H3452  
Application: 2015-2018 GMC CANYON

- C. With at least three people and the help of a jack (optional) mount the bumper to the brackets.
- D. Align the bumper side to side and top to bottom to ensure a perfect fit to the truck. Allow 0.375" of clearance to all painted surfaces if possible. This is to allow for frame flex!
- E. Fully tighten all fasteners between bumper and brackets.
- F. Enjoy your new front replacement bumper from Fab Fours!



H345X\_REV\_A



# Installation Instructions

## GMC Canyon Premium Front Bumper

Product Number: H3450, H3451, H3452  
Application: 2015-2018 GMC CANYON

### *Maintenance/Care*

- Periodically check and tighten all fasteners.
- Stripped, fractured, or bent bolts or nuts need to be replaced.
- After washing of the vehicle make sure to fully dry all surfaces



H345X\_REV\_A