



Installation Instructions

Premium Plate Front

Product Number: B3650, B3651, B3652

Application: 2016+ Toyota Tacoma

SAFETY

Your safety and the safety of others is very important.

- In order to help you make informed decisions about safety, we have provided installation instructions and other information.
- These instructions alert you to potential hazards that could hurt you or others.
- Please do a job safety analysis (JSA) before each task to identify potential hazards for your situation and remove/protect against them.
- You must use your own good judgment, and take your time.

Read and understand all safety precautions and instructions before installing this product.

THIS PRODUCT IS FOR OFFROAD USE ONLY. ALL LIABILITY FOR INSTALLATION AND USE RESTS WITH THE OWNER.

CARELESS INSTALLATION AND OPERATION CAN RESULT IN SERIOUS INJURY OR EQUIPMENT DAMAGE.

Injury hazard

Failure to observe these instructions could lead to severe injury or death.

- Always** remove jewelry and wear eye protection.
- Always** use extreme caution when jacking up a vehicle for work. Set emergency brake and use tire blocks. Locate and use the vehicle manufacturers designated lifting points. Use jack stands.
- Always** use appropriate and adequate care in lifting components into place.
- Always** insure components will remain secure during installation and operation.
- Always** wear safety glasses when installing this kit. A drilling operation will cause flying metal chips. Flying chips can cause serious eye injury.
- Always** use extreme caution when drilling on a vehicle. Thoroughly inspect the area to be drilled (on both sides of material) prior to drilling, and relocate any objects that may be damaged.
- Always** use extreme caution when cutting and trimming during fitting.
- Always** tighten all nuts and bolts securely per installation instructions.
- Always** route electrical cables carefully. Avoid moving parts, components that become hot and rough or sharp edges.
- Always** insulate and protect all exposed wiring and electrical terminals.
- Always** perform regular inspections and maintenance on mounts and related hardware.

B365X_Rev_B



Installation Instructions

Premium Plate Front

Product Number: B3650, B3651, B3652

Application: 2016+ Toyota Tacoma

I. Overview

Congratulations on your new purchase of the industries' best and most rugged and stylish front bumper for the 2016 Toyota Tacoma! This bumper has been **engineered** for strength.

Your bumper is designed in 3-D from digitized data, CNC laser cut, fabricated, and powder coated...all in the U.S.A.

Enjoy the fit and finish of a Toyota Tacoma front bumper from Fab Fours Inc.



B365X_Rev_B



Installation Instructions

Premium Plate Front

Product Number: B3650, B3651, B3652

Application: 2016+ Toyota Tacoma

II. Tools Required

- 19mm (3/4"), 17mm, 14mm, 10mm Socket
- Phillips, Flat Blade Screw Driver
- Ratchet wrench, extensions
- Cut off wheel

III. Kit Contents

- B365X replacement bumper
- B365X Instruction manual
- Hardware Kit
- Brackets (20989, 20990)
- Fog Lights, Turn Signals, and Wiring components.
- HDLA Hardware Kit



Installation Instructions

Premium Plate Front

Product Number: B3650, B3651, B3652

Application: 2016+ Toyota Tacoma

IV. OE Bumper Removal

A. Using a M10 remove 6 (or eight for some models) fender flare bolts including 2 bolts hidden inside the fender flare lining. Also remove one pop pin from each fender lining. Save for reuse.



B. Carefully remove the fender flares by starting at one end and slowly pulling away from the truck to tear the tape.

C. Use a 10mm socket to remove lower valence (13 bolts).

D. Use a 10mm socket to unbolt 2 bolts and a flathead screw driver to remove 2 pins in the top of the grill. Remove grill until bumper install.

E. Remove 6 pushpins from top of the bumper.



Installation Instructions

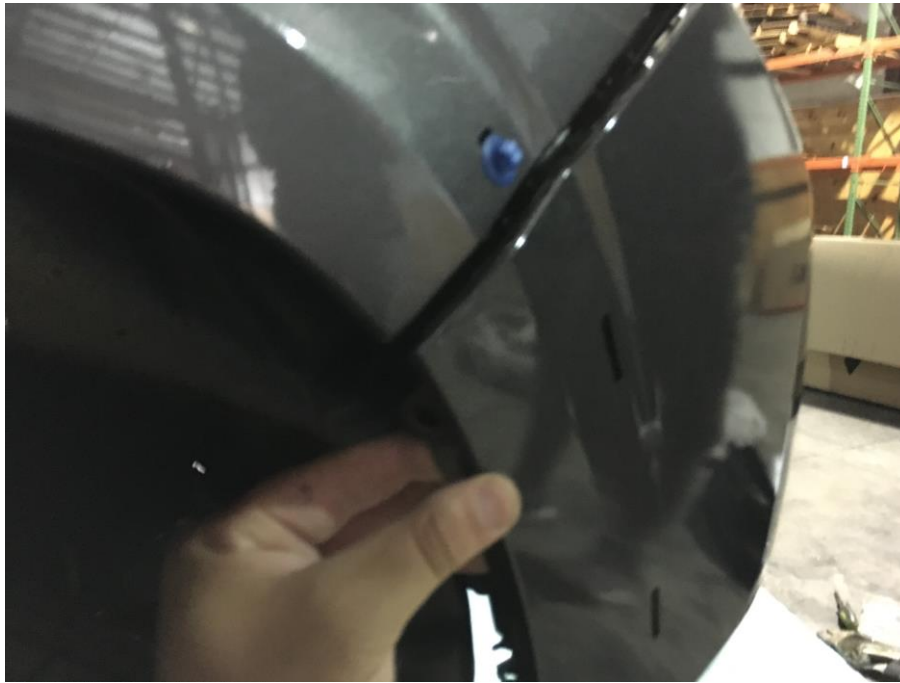
Premium Plate Front

Product Number: B3650, B3651, B3652

Application: 2016+ Toyota Tacoma

F. Using a phillips head screwdriver to remove screws in the clear plastic pieces.

G. To remove the side of the bumper, flex the bumper out and then carefully pull away.



H. Remove 2 10mm bolts at the center bottom of bumper.

I. Disconnect fog light harness as well as the Christmas tree clips to the frame.



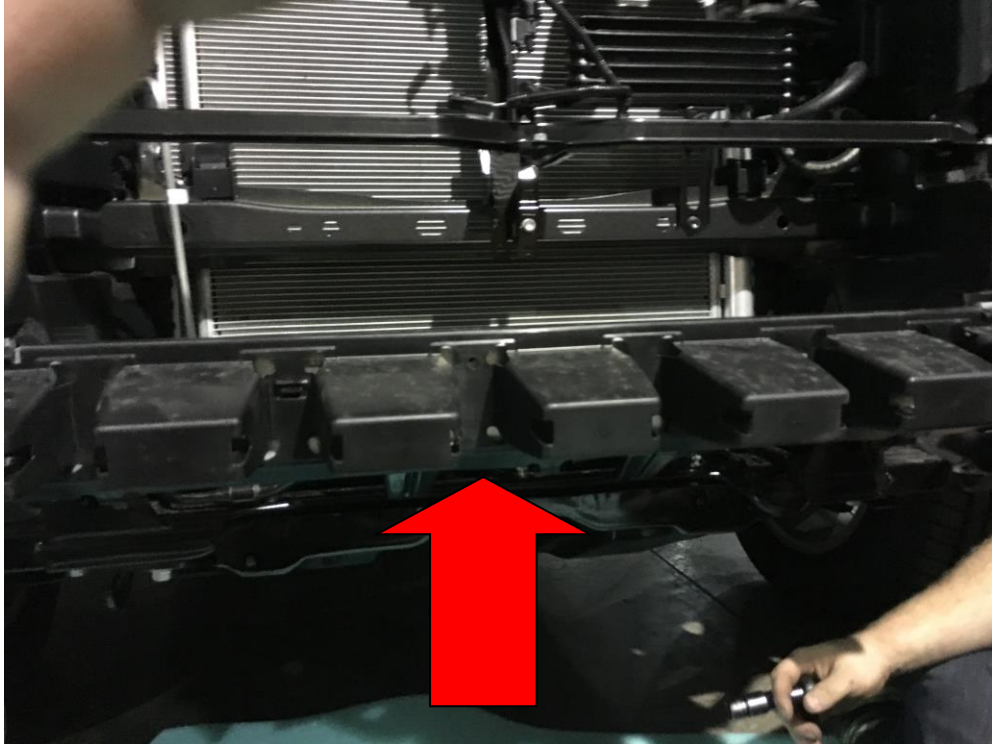
Installation Instructions

Premium Plate Front

Product Number: B3650, B3651, B3652

Application: 2016+ Toyota Tacoma

J. Remove the black plastic from frame by depressing the clips. Remove 3 bolts holding the plastic frame to truck. Carefully pull away frame away from truck.



Remove black plastic piece.

K. Using a 10mm socket, remove the black plastic pieces to either side of the radiator.



Installation Instructions

Premium Plate Front

Product Number: B3650, B3651, B3652

Application: 2016+ Toyota Tacoma

L. Using a 10mm socket and a flathead screwdriver, remove the bolt and pop pin holding on the plastic under the headlights. Remove the plastic piece and replace the bolt to secure the headlight.



Remove pin (circled) and remove bolt (arrow) then replace after removing plastic piece

Note: Due to the gaps that will be left for body flex, you may wish to use flat black spray paint on the bottom of the headlights and the back of the fender support. This will eliminate any color in the gaps between the bumper and the truck. Make sure to cover and tape before spraying.



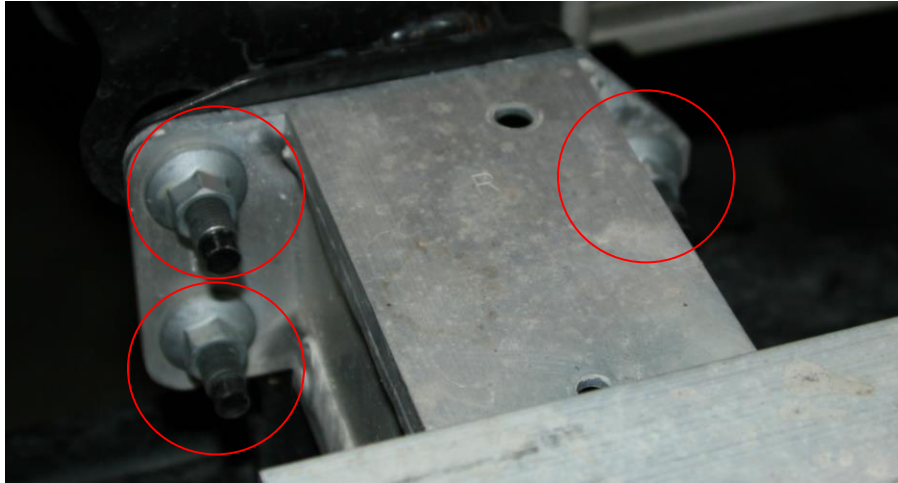
Installation Instructions

Premium Plate Front

Product Number: B3650, B3651, B3652

Application: 2016+ Toyota Tacoma

M. Using a 14mm socket, remove six bolts holding the inner bumper support. It may be necessary to loosen the bolts inside the inner bumper support before removal.



N. Using a cutoff wheel, removed the clear plastic tabs under the headlights. Taping the headlights will help prevent damage to the truck.



B365X_Rev_B



Installation Instructions

Premium Plate Front

Product Number: B3650, B3651, B3652

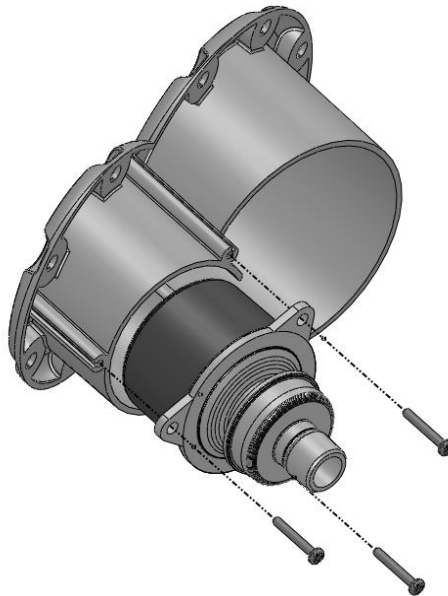
Application: 2016+ Toyota Tacoma

V. Pre-installation

Note: Before installing the bumper, you may wish to install the fog lights and turn signals. If you have a winch it should also be installed at this time using the manufacturer's instructions.

A. The fog light wiring may be installed at this time. To do so, connect wiring to fog light and tap into OEM fog light wiring using supplied tap connectors. (Fab Fours wiring: Green=ground, Red=12v.) Also connect turn signal wiring using the supplied tap connectors. Secure excess wiring to bumper.

B. Install turn indicators into the plastic light insert using three self-tapping screws as shown below:



B365X_Rev_B



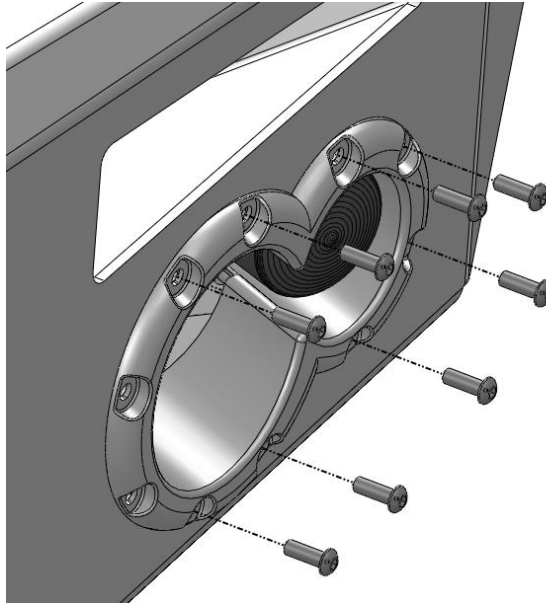
Installation Instructions

Premium Plate Front

Product Number: B3650, B3651, B3652

Application: 2016+ Toyota Tacoma

C. Install the light inserts with turn indicators into the cutout in the bumper. Use the $\frac{3}{4}$ " length $\frac{1}{4}$ " stainless steel button head, $\frac{1}{4}$ " washers and hex nuts to fasten the insert through the holes shown below:



D. Install the Fab Fours fog lights onto the mounting brackets as shown below using the #8 button head screws, washers, and hex nuts.

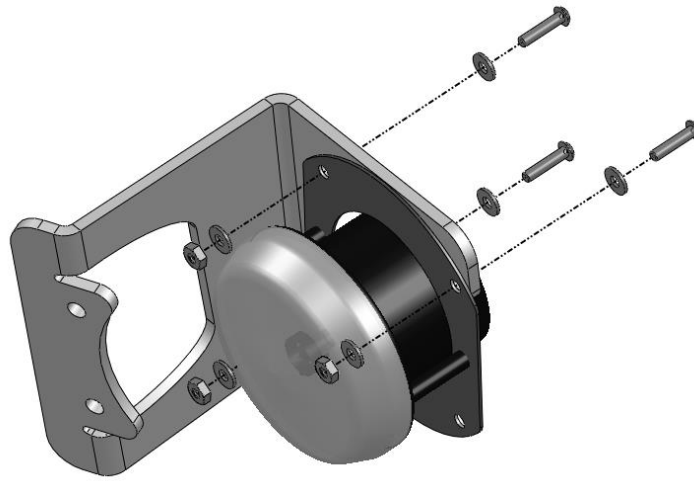


Installation Instructions

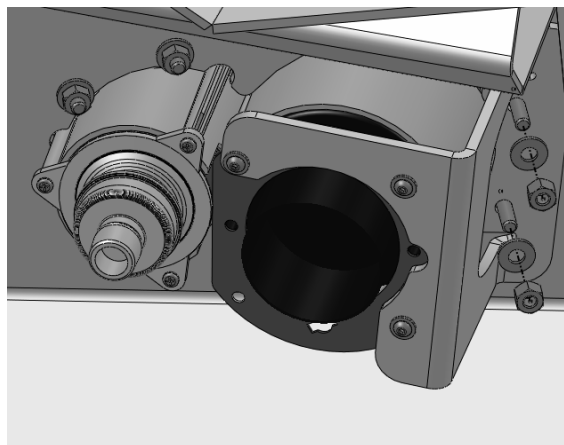
Premium Plate Front

Product Number: B3650, B3651, B3652

Application: 2016+ Toyota Tacoma



E. Install the fog light and bracket into the bumper using the remaining two holes available in the light insert. Use the 1-1/2" length 1/4" stainless steel button heads with 1/4" washers and nuts.



F. Secure OEM electrical harness to the Fab Fours bumper.

B365X_Rev_B



Installation Instructions

Premium Plate Front

Product Number: B3650, B3651, B3652

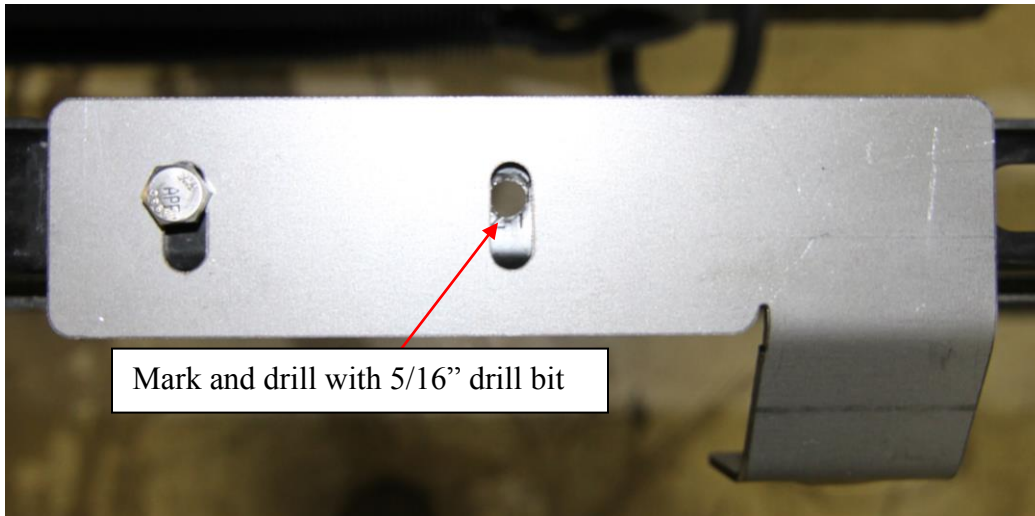
Application: 2016+ Toyota Tacoma

VI. Fab Fours bumper installation

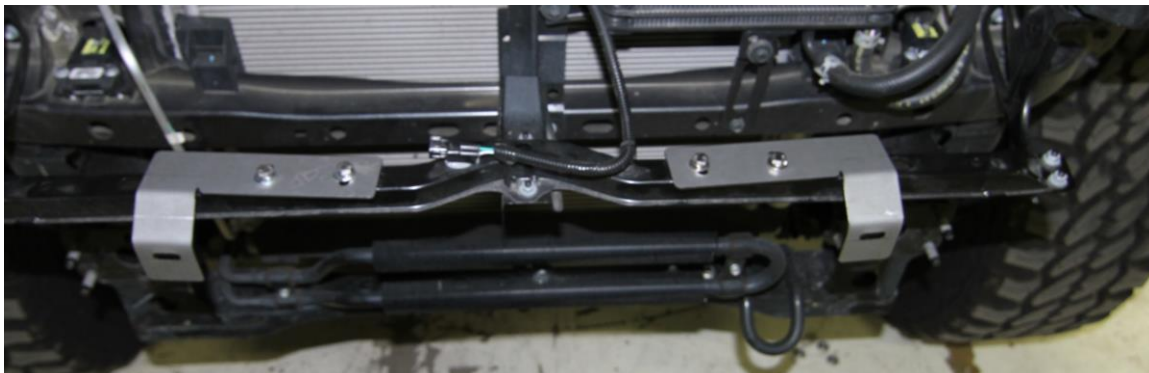
NOTE: Fab Fours Recommends taping your vehicle to prevent damage to the paint when installing the bumper.

NOTE: This bumper comes with two sets of grill brackets. 21192-01 and 21192-02 are for ALL Tacoma grills except the TRD Pro; use 21192-03 and 21192-04 instead.

- A. Loosely install the provided grill bracket on driver side grill brace. Using a center punch mark the outer hole location and drill using 5/16" drill bit.**



- B. Once hole is drill you can loosely install both brackets using provided 1/4" hardware.**



B365X_Rev_B



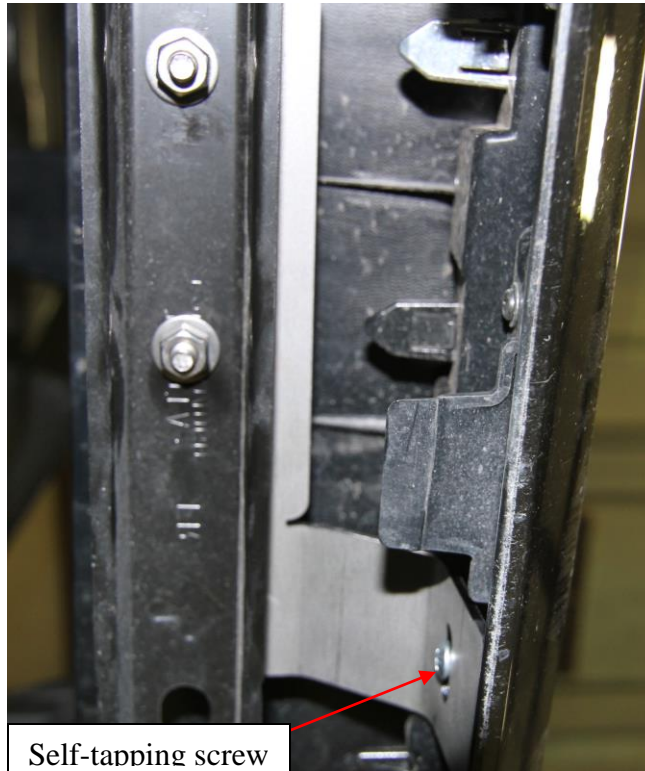
Installation Instructions

Premium Plate Front

Product Number: B3650, B3651, B3652

Application: 2016+ Toyota Tacoma

C. With both brackets loosely installed you can now re-install grill. Once the grill is re-installed, you can fasten the bracket to the grill by lining up the slot on bracket with the cylindrical plastic extrusion on back side of grill and secure the bracket to grill using the provided self-tapping screws.



D. Once self-tapping screw is installed you can now tighten all 1/4" hardware.



Installation Instructions

Premium Plate Front

Product Number: B3650, B3651, B3652

Application: 2016+ Toyota Tacoma

E. Put fender flares back up to truck and mark the necessary cut line to follow the fender. Then cut to fit the new bumper. Be cautious, about removing too much material. Replace screws in fender well and replace factory tape if desired.



B365X_Rev_B



Installation Instructions

Premium Plate Front

Product Number: B3650, B3651, B3652

Application: 2016+ Toyota Tacoma

F. Mount brackets to truck using OEM 14mm nuts. Do not fully tighten.



G. Mount bumper to brackets using the provided 1/2" hardware and stud plates.

H. Adjust bumper so that both sides are even but allow for a minimum of 3/8" of clearance to allow for body flex. Failure to leave this gap may cause damage to your vehicle.

I. Fully tighten the bolts to the bumper and brackets when all adjustments are made.

J. Replace the factory grill and put both 10mm bolts and two pop pins back in to secure it to the truck.



Installation Instructions

Premium Plate Front

Product Number: B3650, B3651, B3652

Application: 2016+ Toyota Tacoma

VII. Maintenance/Care

- Periodically check and tighten all fasteners
- Stripped, fractured, or bent bolts or nuts need to be replaced
- After washing of the vehicle make sure to fully dry all surfaces