

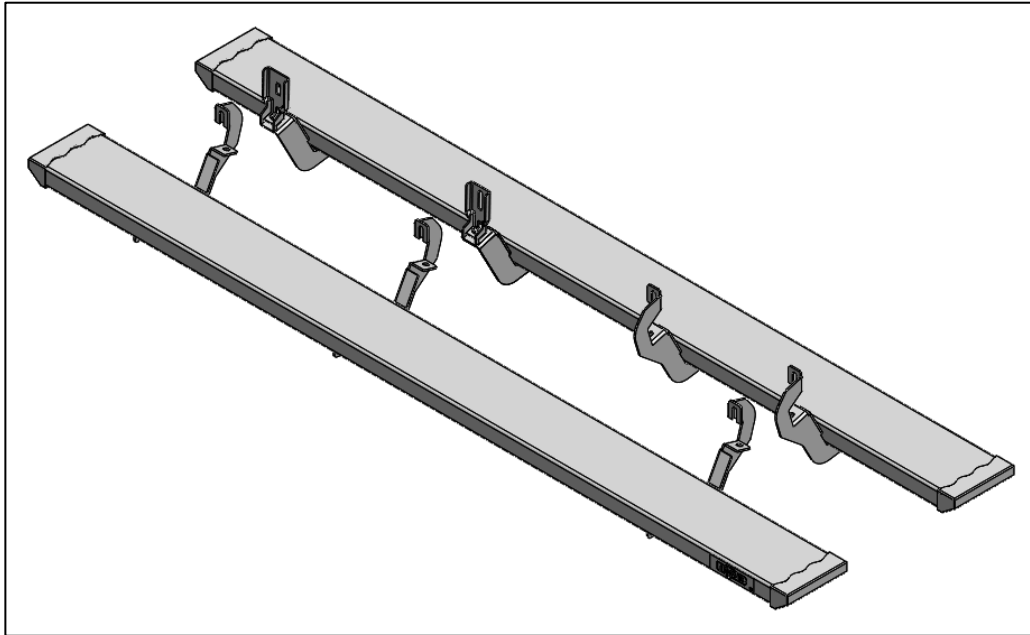
I-SHEET NUMBER: INST-00004
 PART NUMBER: C17-CCTX
 PRODUCT: **Growler Running Board**
 APPLICATION: **2017-2019 CHEVY/GM Diesel 2500/3500 CREW CAB**

HARDWARE DESCRIPTION		QTY.
HWKT-00195X		
CLIP-00643	M8-1.25 X 20MM BARREL U-NUT CLIP	3
HHCS-00647	M8-1.25 X 25MM CLASS 8.8 HEX CAP SCREW	13
FLHB-00688	3/8"-16 X 1" GRADE 5 HEX SERRATED FLANGE BOLT	14
HXNT-00708	M8-1.25 CLASS 8 FINISHED HEX NUT	5
FDRW-00736	M8 FENDER WASHER	18



PARTS INCLUDED	QTY
Running Boards	2
Rocker Panel mounting Brackets	9
Threaded clamp plates	7

GGROWLER



DRIVER SIDE

Step 1: Look on the underside of the body and locate the factory supplied mounting positions.

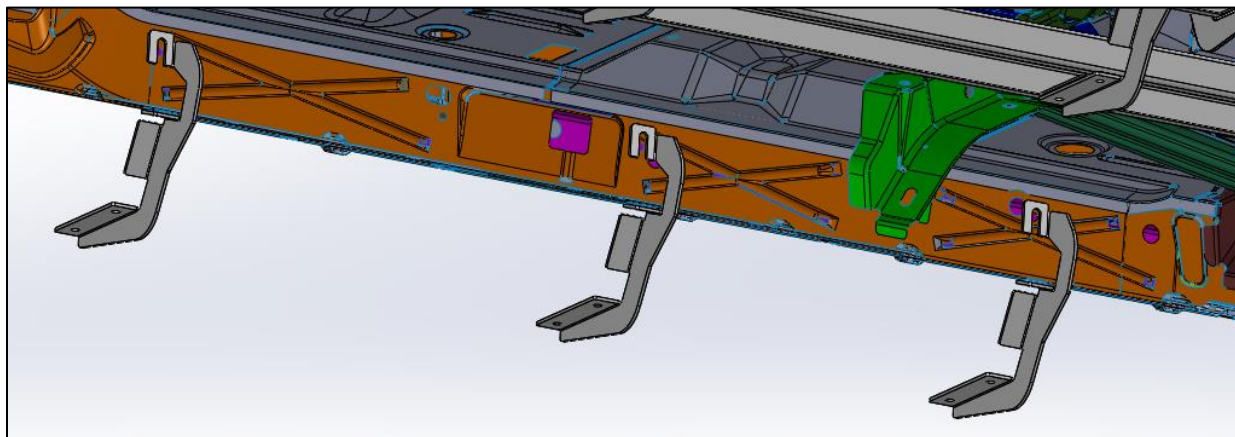
NOTE: Some vehicles require the use of speed clips and nuts, which are supplied with the hardware kit.

Step 2: If your vehicle requires the use of the speed clips, install at this time. This requires the removal of a plastic body plug. Using a flat head screwdriver remove the plug and install one of the supplied speed clips.

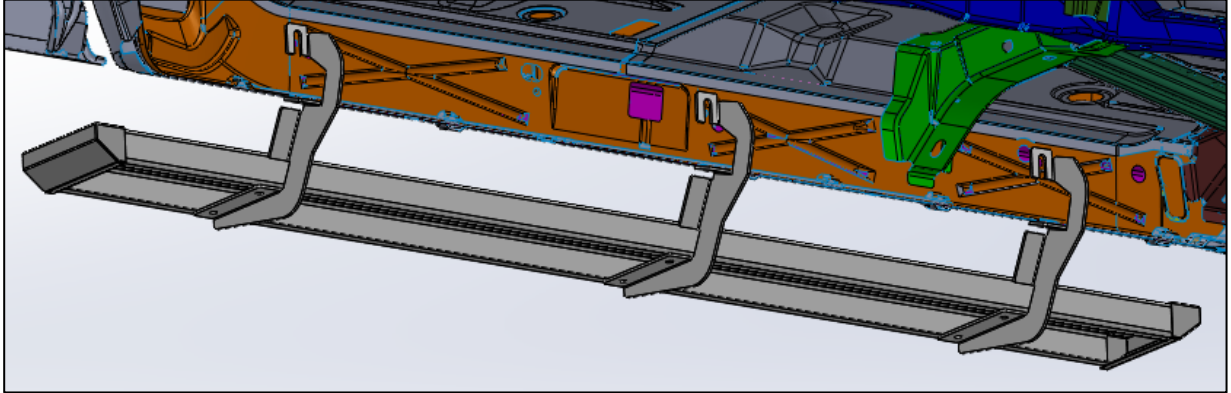


Step 3: Install the brackets to the mounting locations in the body of the vehicle and install hardware. Do not tighten all the way.

NOTE: Some vehicles may require the use of additional nuts and washers for the lower portion of the mounting bracket which are supplied in the hardware kit



Step 4: Set running board along the top of all three brackets and center along the cab.

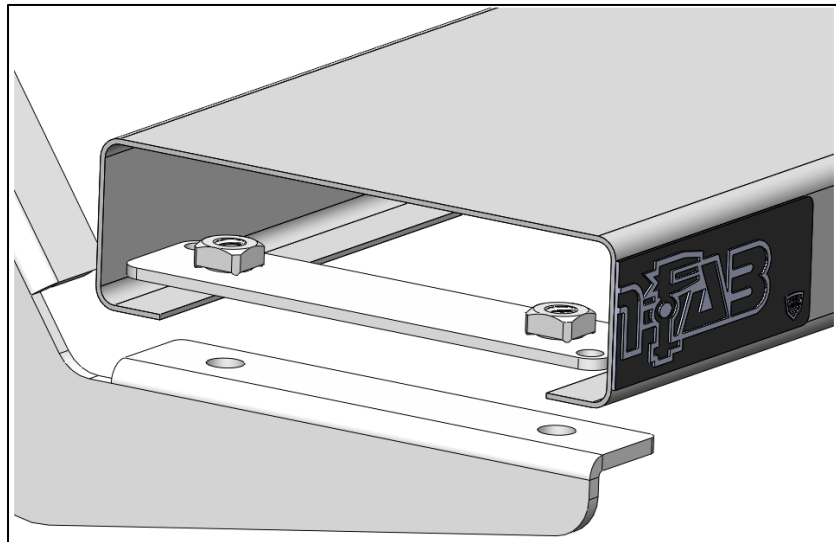


Step 5: Insert the supplied threaded brackets (x3) inside the running board lip over the top of each bracket.

Step 6: With the supplied 3/8" x 1" hex bolts, secure each mounting location and leave loose.

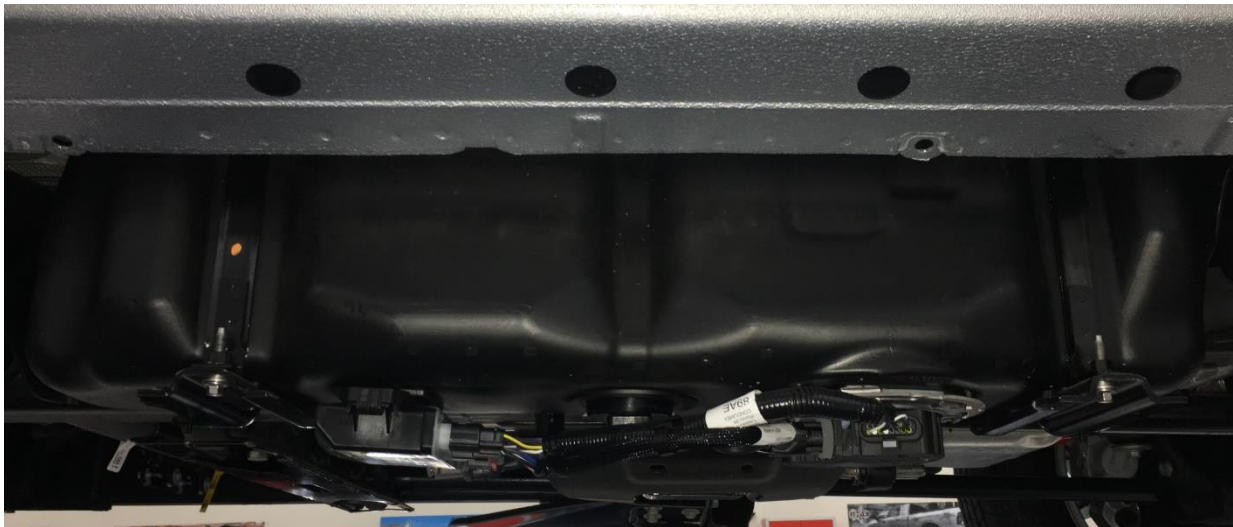
Step 7: After final adjustment, tighten all running board threaded mounts.

Step 8: Next, adjust frame brackets so the running board is level with body of the vehicle and tighten all factory-mounting locations.



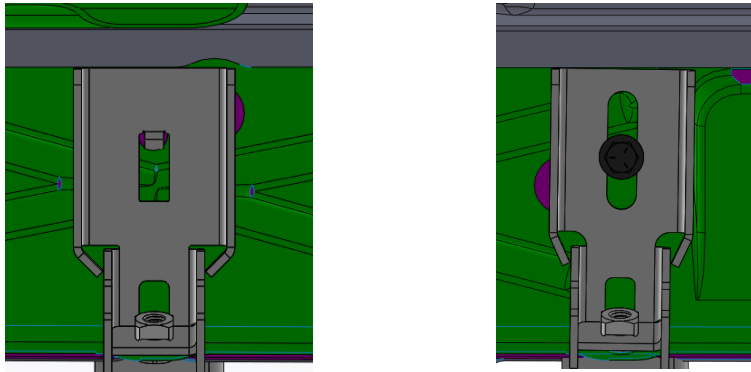
Passenger side with Def Tank

Step 1. Remove the (x3) 13mm bolts, (x2) 10mm bolts and (x2) 10mm nuts that attach the Def tank cover and remove.



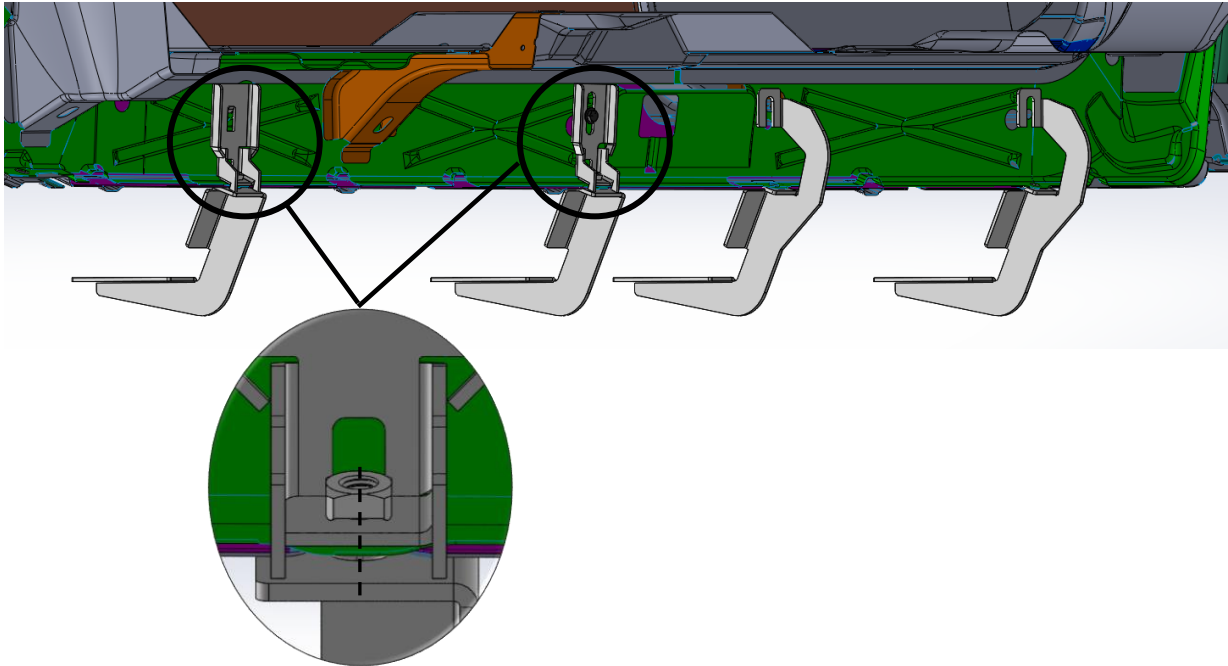
Step 2: Take the bracket with the bent hook and feed between the body and DEF tank until you locate the tab into the OE hole. The bracket will hang once placed correctly.

Step 3: The second bracket will attach to the body with one of the supplied M8x25 mm hex bolts and washer.

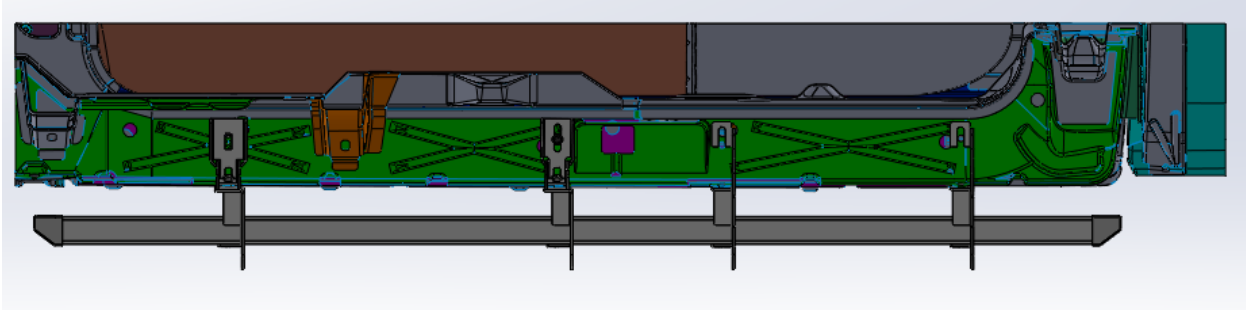


Step 4: Using the supplied M8x25mm hex bolts and washers begin hand tightening both upper and lower mounts to the rear two brackets.

Step 5: Next, attach the two front brackets to the rocker panel brackets that you installed in step 2 and 3 hand tighten.



Step 6: Set running board along the top of all four brackets and center along the cab.



Step 7: Insert the supplied threaded brackets (x4) inside the running board lip over the top of each bracket.

Step 8: With the supplied 3/8" x 1" hex bolts, secure each mounting location and leave loose.

Step 9: After final adjustment, tighten all running board threaded mounts.

Step 8: Next, adjust frame brackets so the running board is level with body of the vehicle and tighten all factory-mounting locations.

Step 9: Re-install the DEF tank cover that was removed in step 1 and tighten to factory specs.

Step 10: Your install for passenger side is now complete.

