



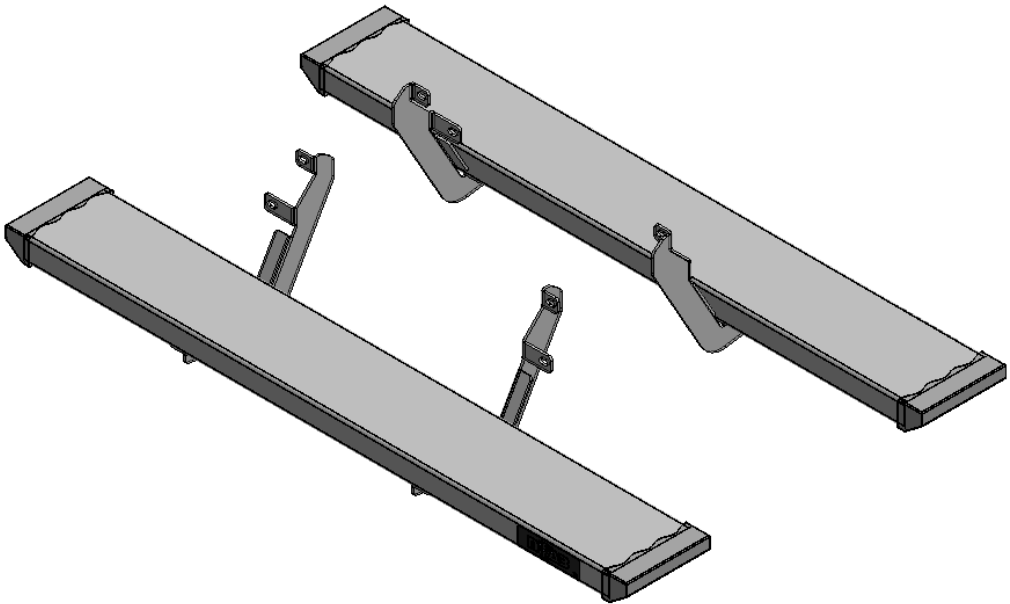
I-SHEET NUMBER: INST-00045  
 PART NUMBER: GFF15-RCTX  
 PRODUCT: **Growler Running Board**  
 APPLICATION: **2015-18 F-150**  
**2017-18 F-250, F-350**

HARDWARE DESCRIPTION		QTY.
HWKT-05694X		
FLHB-00688	3/8"-16 X 1" GR. 5 HEX SERRATED FLANGE BOLT	8
FLNT-00696	M8-1.25 CLASS 8 SERRATED FLANGE NUT	8

PARTS INCLUDED		QTY
Running Boards		
Rocker Panel mounting Brackets		4
Threaded clamp plates		4



# GROWLER

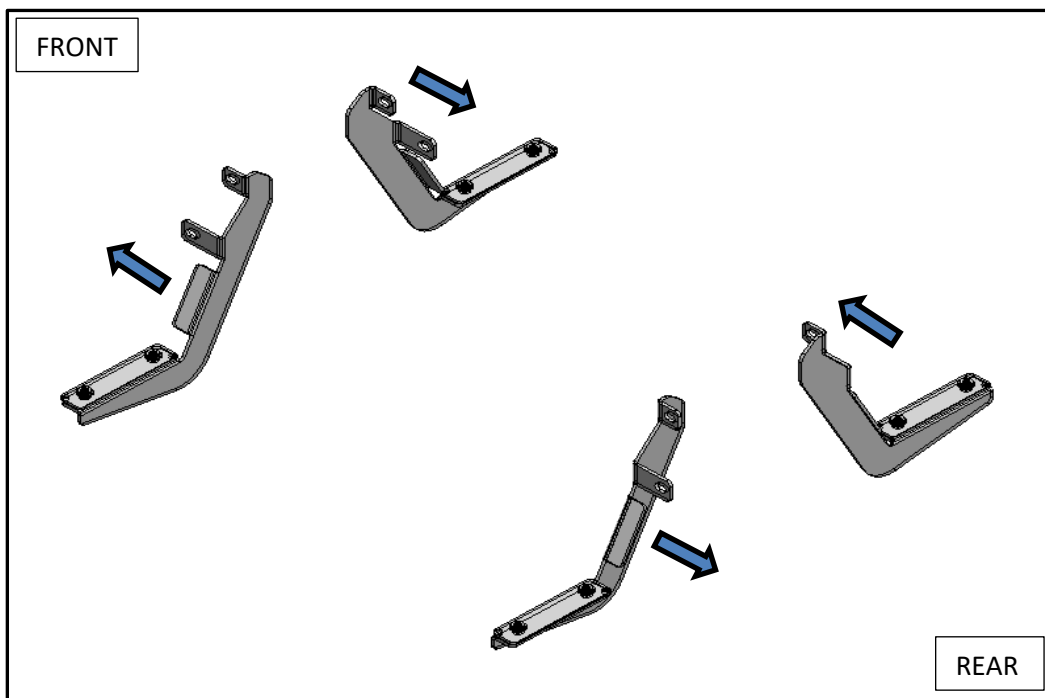


**Step 1:** Starting with the Driver Side. Remove all 8mm flange nuts from the 8mm factory threaded studs to remove the OE running boards. Repeat for passenger side.



**Step 2:** Install two of the supplied frame brackets (both sides) to the factory stud locations and hand tighten using the supplied 8mm nuts.

\*\*\* BRACKET ORINTATION \*\*\*



**Step 3:** Set running board along the top of the two brackets and center along the cab.



**Step 4:** Insert the supplied threaded brackets (X2) inside the running board lip over the top of each bracket.

**Step 5:** With the supplied 3/8" x 1" hex bolts, secure each mounting location and leave loose.

**Step 6:** After final adjustment, tighten all running board threaded mounts.

**Step 7:** Next, adjust frame brackets so the running board is level with body of the vehicle and tighten all factory-mounting locations.



**Step 8:** Repeat steps 2-7 for passenger side. Your install is now complete.