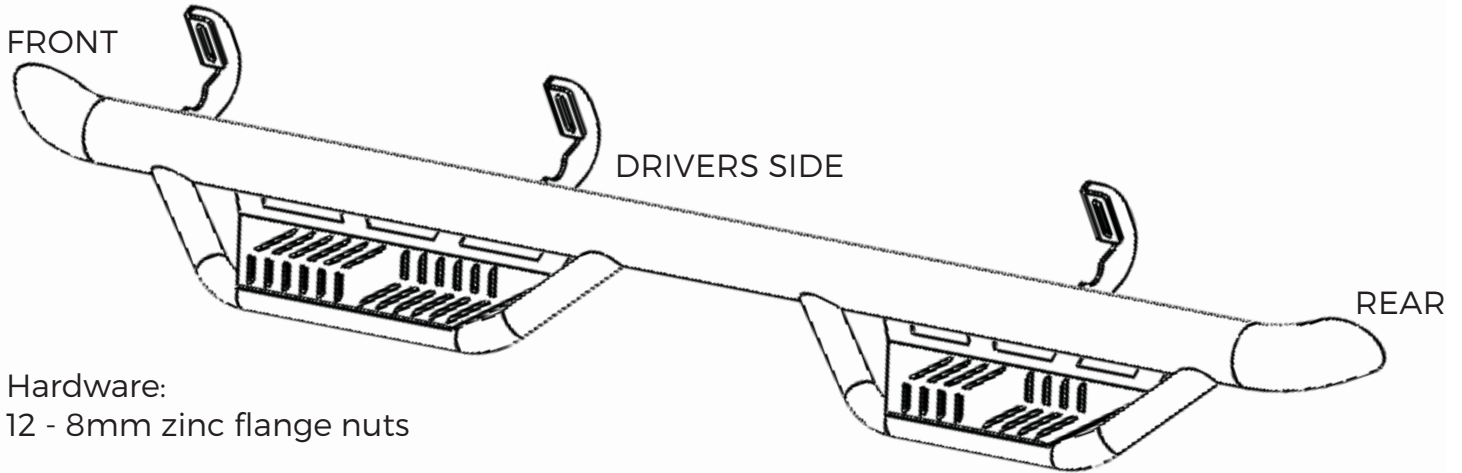




Installation Instructions: N-Fab Podium Nerf-Steps

HPN0570CC-TX HPN0570CC-SS

NISSAN
2005-2017
FRONTIER CREW CAB



Hardware:
12 - 8mm zinc flange nuts

STEP 1:

Identify the driver and passenger bars. The center bracket is closer to the front of the truck.



STEP 2:

Each mounting bracket consist of holes that mount to the OE studs.



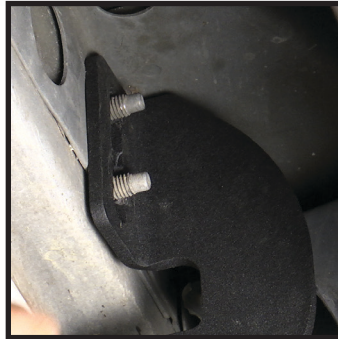
STEP 3:

Remove OE boards if equipped then locate mounting studs. Clean any dirt and debris from mounting studs and surface.



STEP 4:

Carefully place step onto truck. Place. Secure mounting holes over OE studs. Best to have a assistant to lift and hold board in place. Now hand tighten nuts to OE studs.



STEP 5:

Begin tightening bolts in a alternating pattern. **Avoid using power or air tools.** Over tightening could stripe or break the OE threaded inserts.



STEP 6:

Tighten to 20ft lbs torque to secure the board to the truck. Repeat the same procedure to the other side.

