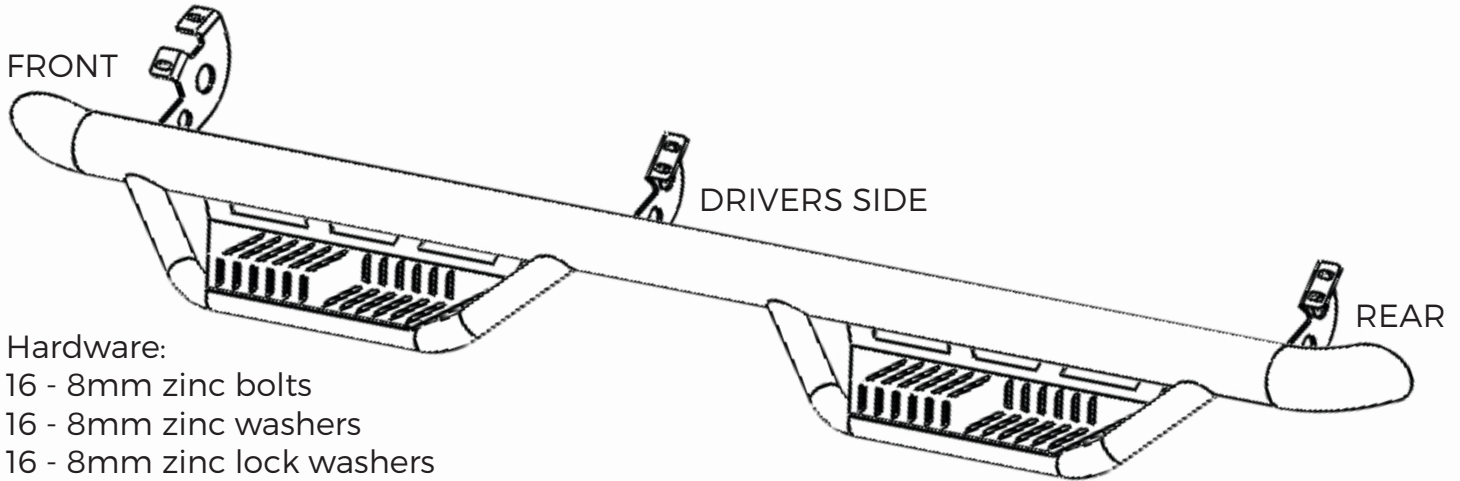




# Installation Instructions: N-Fab Podium Nerf-Steps

HPT1580CC-TX HPT1580CC-SS

TOYOTA  
2005-2017  
TACOMA DOUBLE CAB



**Hardware:**

- 16 - 8mm zinc bolts
- 16 - 8mm zinc washers
- 16 - 8mm zinc lock washers

**STEP 1:**

Identify the driver and passenger bars. The first bracket has a large notch between the two mounting holes. This bracket goes to the front of the truck.



**STEP 2:**

Each mounting bracket consist of 2 mounting holes.



**STEP 3:**

Remove OE boards if equipped then locate mounting holes. Clean any dirt and debris from mounting holes and surface.



**STEP 4:**

Carefully place step onto Place. Hand tightening the upper center bolt with washers to hold in place. Best to have a assistant to lift and hold board in place. Now hand tightening remaining mounts bolts.



**STEP 5:**

Begin tightening bolts in a alternating pattern. **Avoid using power or air tools.** Over tightening could stripe or break the OE threaded inserts.



**STEP 6:**

Tighten to 20ft lbs torque to secure the board to the truck. Repeat the same procedure to the other side.

