



n-fab.com

a TRUCK HERO
company

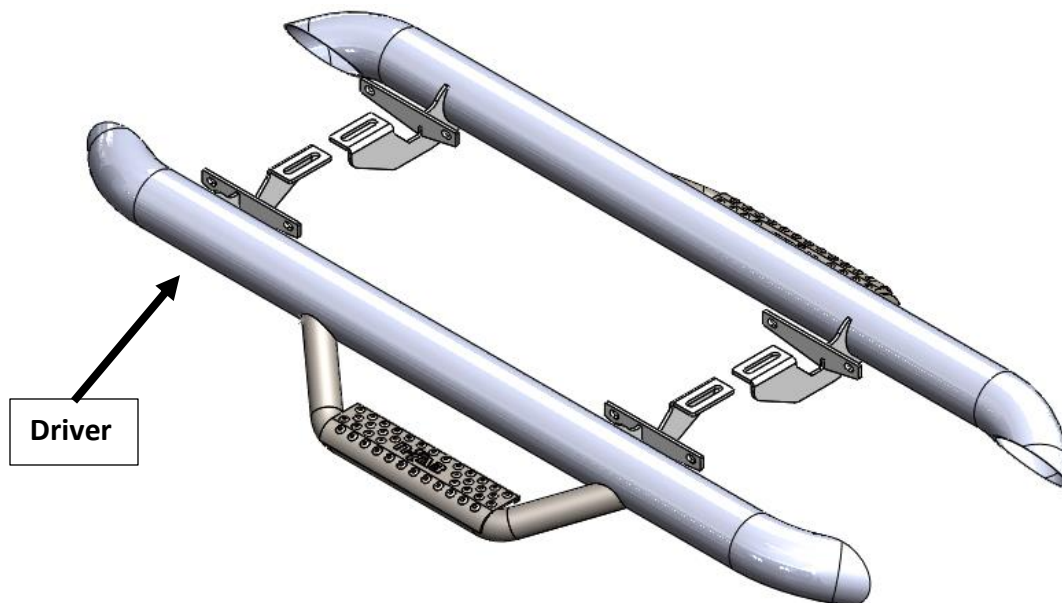
nfabinc f t

PART NUMBER: J1846
PRODUCT: HOOP STEEP
APPLICATION: 18-C JEEP JL 2 DOOR



| HARDWARE DESCRIPTION | QTY. |
|---|------|
| HWKT-00047X | |
| M8x30mm flanged hex bolt with washer | 6 |
| M8x25mm Flanged hex head bolt (Black zinc) | 8 |
| M8 flanged nuts | 8 |

Step 1. Identify the driver side step.



Step 2. Remove the factory running boards and discard.



Step 3. Carefully raise up step into position and align the brackets with the factory mounting points with the horizontal part of the bracket on the outside of the pinch weld.

Step 4. Next, start one of the supplied M8x30mm hex head flanged bolt and washer starting with the front bracket in the factory threaded hole and leave loose. Perform the same step with the rear bracket.

Step 5. Start two M8x25mm black zinc flanged bolts and two M8 flanged nuts (both brackets) in the pinch weld and leave loose for final adjustment.



Step 6. Adjust the nerf-step where the main bar is level with the body of the vehicle.

Step 7. First, tighten all the hardware that attaches the bracket to the pinch weld of the vehicle.



Step 8. Next, tighten the remaining hardware that attaches the bracket to the upper body mount.



Step 9. Repeat steps 3-8 for the Passenger