



RHINO-RACK

CONTROLLED

Fit Kit for RLT600 RJKB1 to suit Pioneer Tray (PLHS4)

Parts List

Item	Description	Qty
A	M6 rotating plate nut	6
B	M8 rotating plate nut	6
C	Pioneer leg spacer	6
D	Quick mount VA 5mm spacer	2
E	M6 x 40mm socket screw	6
F	RLT600 flat base	6
G	Instruction	1

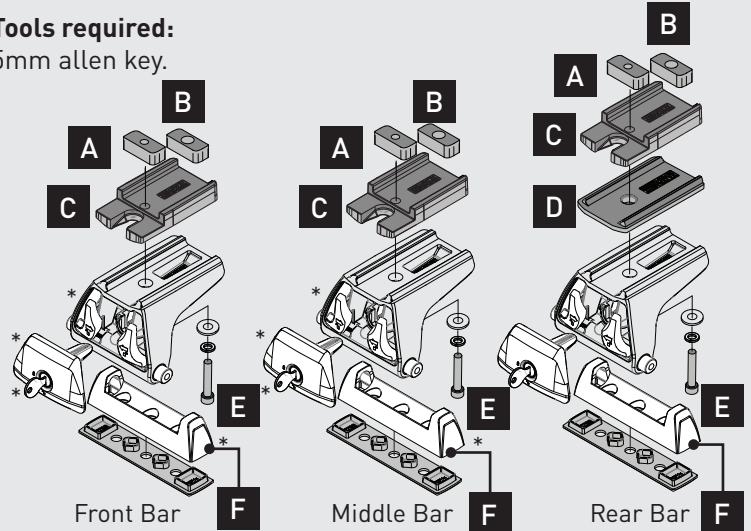
*Note:

RLT600 Parts as separate.

Fix the Quick Mount Spacer to the Leg using the hardware in the leg kit. The bolts found in the spacer kit will replace the original in the leg kit.

Item B replaces channel nut that comes with pioneer tray. This new nut is narrower allowing the leg to sit a little wider within the tray.

Tools required:
5mm allen key.



Rhino-Rack, 22A Hanson Pl, Eastern
Creek NSW 2766, Australia
(02) 8846 1900
rhinorack.com.au

Document No: R682
Issue No: 09
Issue Date: 16/03/20



RHINO-RACK

CONTROLLED

Fit Kit for RLT600 RJKB1 to suit Pioneer Tray (PLHS4)

Parts List

Item	Description	Qty
A	M6 rotating plate nut	6
B	M8 rotating plate nut	6
C	Pioneer leg spacer	6
D	Quick mount VA 5mm spacer	2
E	M6 x 40mm socket screw	6
F	RLT600 flat base	6
G	Instruction	1

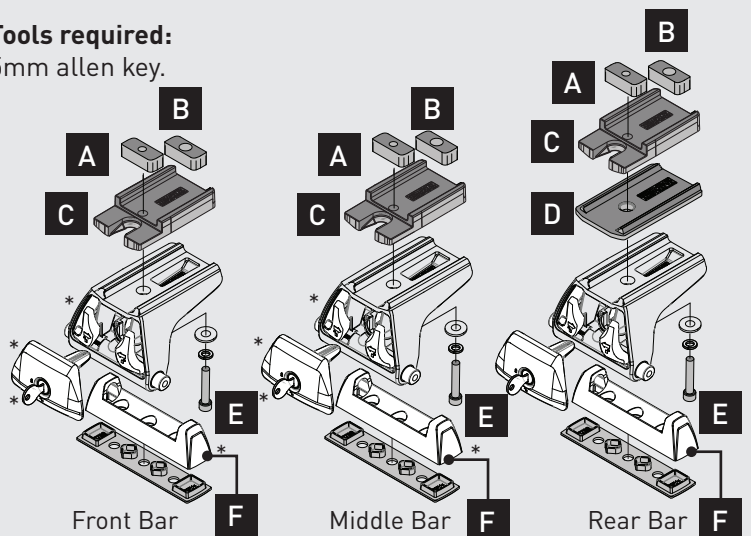
*Note:

RLT600 Parts as separate.

Fix the Quick Mount Spacer to the Leg using the hardware in the leg kit. The bolts found in the spacer kit will replace the original in the leg kit.

Item B replaces channel nut that comes with pioneer tray. This new nut is narrower allowing the leg to sit a little wider within the tray.

Tools required:
5mm allen key.



Rhino-Rack, 22A Hanson Pl, Eastern
Creek NSW 2766, Australia
(02) 8846 1900
rhinorack.com.au

Document No: R682
Issue No: 09
Issue Date: 16/03/20