



n-fab.com

a TRUCK HERO company

nfabinc f t

I-SHEET NUMBER: INST-00108  
PART NUMBER: PRF1981CC-TX  
PRODUCT: ALUMINUM HOOP STEP  
APPLICATION: 2019 + FORD RANGER CREW CAB

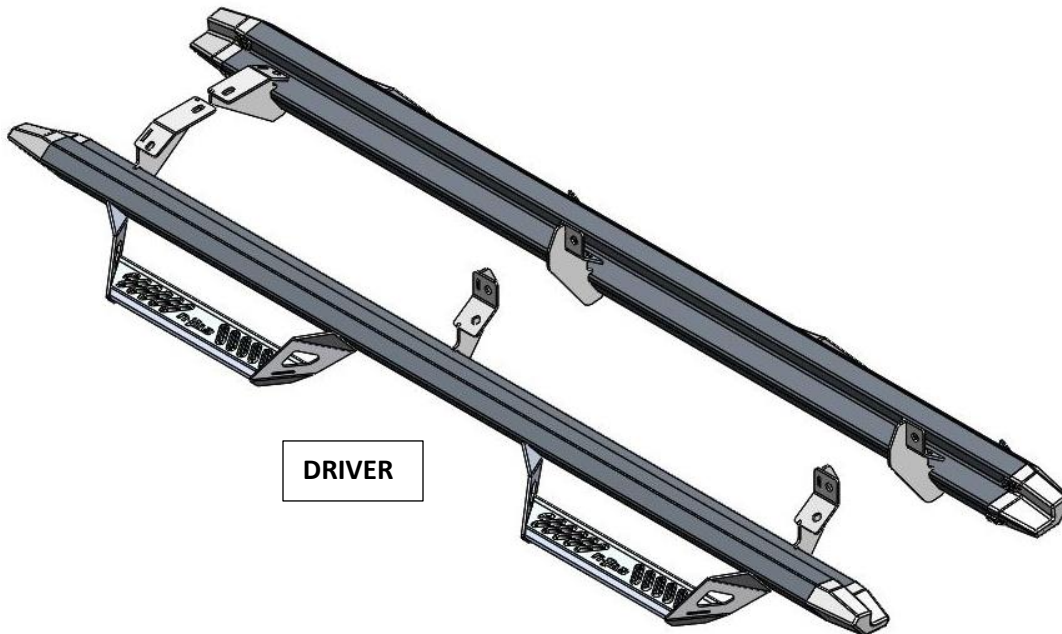
# PREDATOR PRO



HARDWARE DESCRIPTION		QTY
HWKT-04239X		QTY
FHLB 04240X	M10 X 25mm HEX BOLT FLANGE	12

PARTS INCLUDED	QTY
DRIVER SIDE	1
PASSENGER SIDE	1

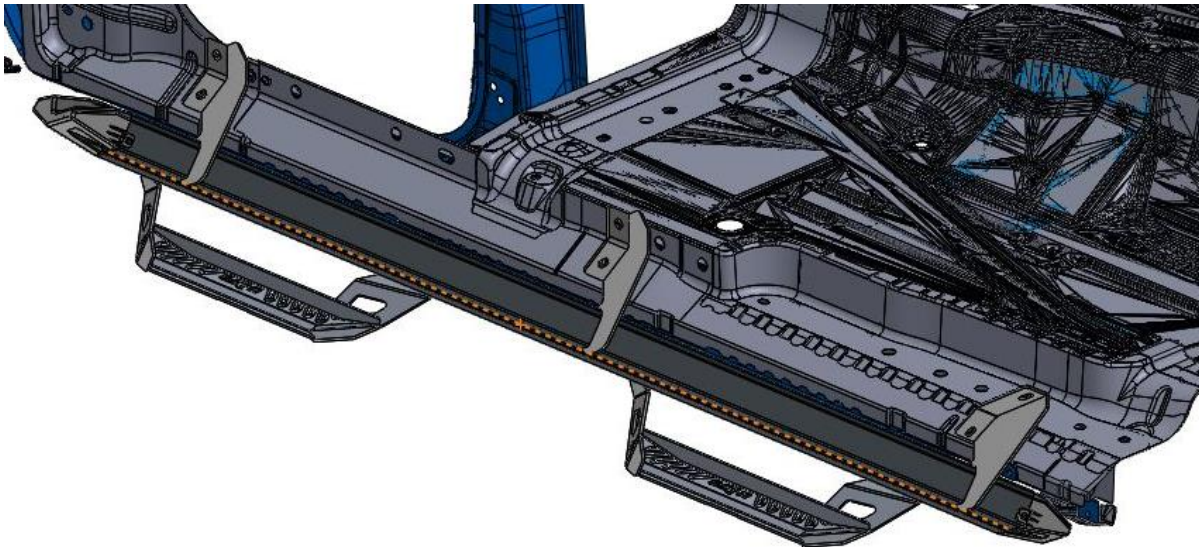
**Step 1.** Identify the Driver and Passenger side Step Rail.



**STEP 2:** Remove any factory running boards or hardware and discard.  
**STEP 3:** Clean/tap the three factory threaded mounting locations.



**STEP 4:** Carefully place step into place and loosely fasten using the supplied M10X25mm hardware.



**Step 5:** Next, tighten the three lower bolts first following with the three upper bolts.  
**Step 6:** Repeat steps 2-5 with passenger side.  
**Step 7:** Your install is now complete.