

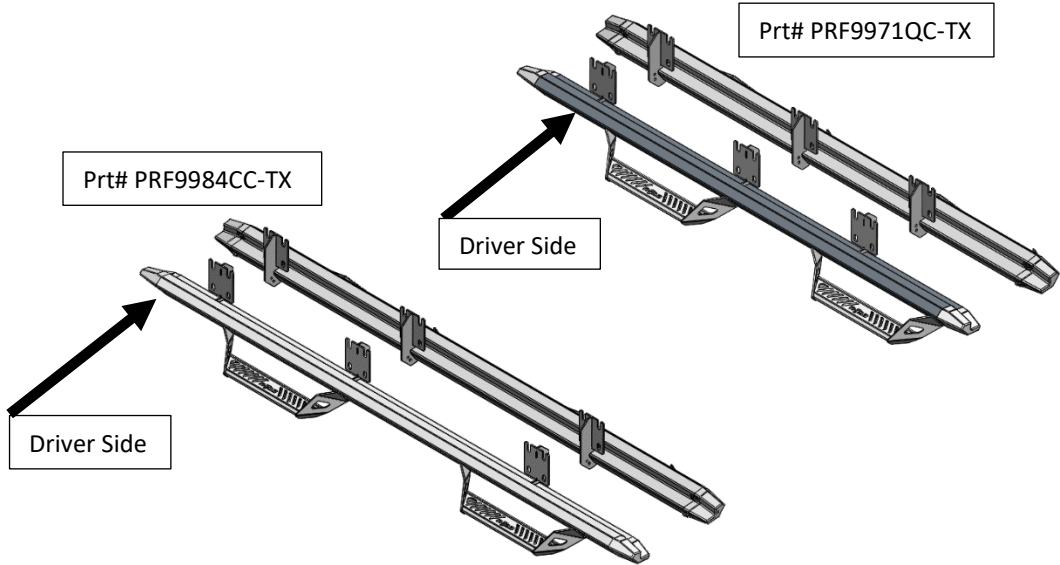
PART NUMBER: PRF9984CC-TX, PRF9971QC-TX
 PRODUCT: Aluminum Hoop Step
 APPLICATION: 99-16 F250/F350 CREW CAB
 99-16 F250/350 SUPER CAB

PREDATOR PRO

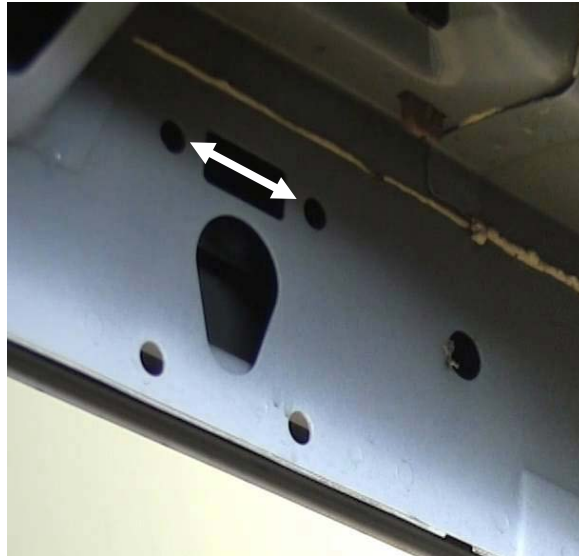


HARDWARE DESCRIPTION	QTY.
# F99 KIT	1
3/8 CLIP SHORT	12
3/8-16X1 1/2 CARRIAGE BOLT ZNC	12
3/8-16 HEX FIN NUT ZNC	12
3/8 USS FLAT WASHER ZNC	12
3/8-16 X 1 HEX C/S GR 5 ZNC	12

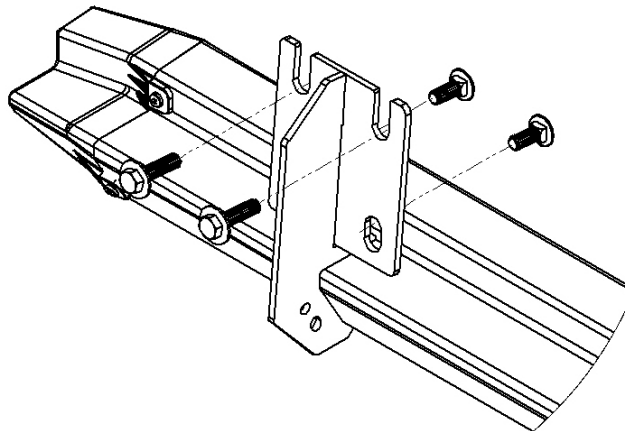
Step 1. Identify the Driver and Passenger side Step Rail.



Step 2 Starting with the Driver side, locate the holes for the upper mounts (x3) and install the supplied (x2) 3/8" clips in each position.



Step 3 Take the driver side step and carefully raise it up into position and align brackets up to the three mounting positions and start the supplied 3/8" carriage bolts, nuts and washers and hand tighten. **NOTE:** The carriage bolts will start from the outside of the body where the nut and washer will be only visible from the opposite side of the pinch weld.



Step 4 Starting with the rear bracket, carefully push up from the bottom and position the rail snug under the body of the vehicle and tighten only one of the carriage bolts.

Step 5 Next, move to the front bracket and push from the bottom to level the rail with the pinch weld. Completely tighten the hardware on all three brackets at 17-21 lb/ft of torque.

Step 6 Repeat steps 2-5 for the passenger side.