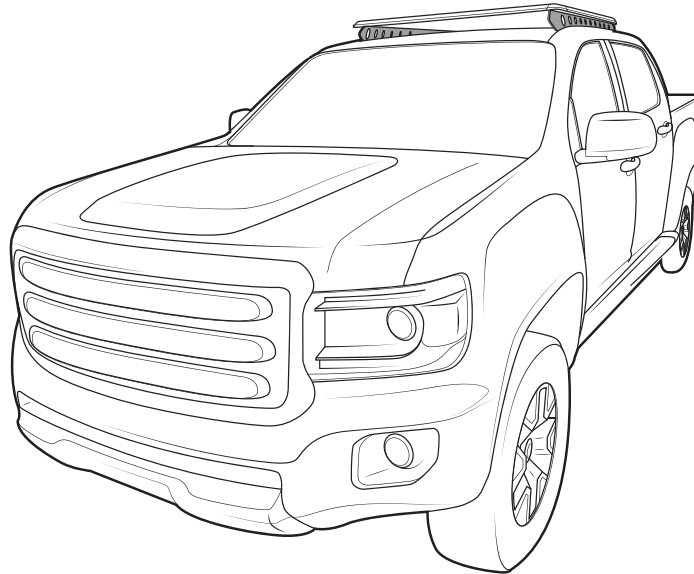




RHINO-RACK

GMC Canyon Crew Cab/ Chevrolet Colorado Crew Cab Backbone - RCCB1

Fit Time: 3 Hours



Be sure to check Rhino-Rack website to ascertain if you have the latest version of instructions.

IMPORTANT INFORMATION

Suitable Pioneers	On Road Cargo Allowance	Off Road Cargo Allowance	Static Allowance	Roof Allowance	Rack Weight
42100B	72.5kg / 160lb	52.5kg / 116lb	332.5kg / 733lb	100kg / 220lb	27.5kg / 61lb
45100B	70.5kg / 156lb	50.5kg / 111lb	330.5kg / 729lb		29.5kg / 65lb
41100	68kg / 150lb	48kg / 106lb	328kg / 723lb		32kg / 71lb

Roof Allowance: Total permissible weight attached to the roof of the car. This is inclusive of the weight of the roof rack system

Cargo Allowance: Total permissible weight allowed on top, and attached to roof racks whilst the vehicle is in motion

Static Allowance: Total permissible weight allowed on top, and attached to roof racks whilst the vehicle is stationary

Please refer to your vehicle manufacturers handbook for maximum carrying capacity. Always use the lower of the two figures. Load must be evenly distributed over the entire Pioneer. Weight of roof rack accessories is to be included in cargo allowance.

Torque settings

Unless stated otherwise in these instructions, all fasteners should be set to the following torque settings -

M6: 4-5Nm (3-4lbs/ft), M8: 8-10Nm (6-7.5lbs/ft) and M10: 16-18Nm (12-13lbs/ft).

Warning:

- Check Part No. and/ or Kit is correct for use with your vehicle
- Do not attempt to fit the rack system to your vehicle unless you fully understand these fitting instructions. Please direct any questions regarding fitting to the dealer from where the roof racks were purchased.
- **Use only non-stretch fastening ropes or straps.**
- The handling characteristics of the vehicle changes when you transport a load on the roof. For safety reasons we recommend you exercise extreme care when transporting wind-resistant loads. Special consideration must be taken into account when cornering and braking.
- Although the system is tested and approved to AS1235-2000 / ISO 11154, off-road conditions can be much more rigorous. Extreme care must be taken in off road conditions
- Vehicles have a hardened steel roof. Drilling will require additional time to stop drill bit overheating and becoming damaged. **Be sure to allow the drill bit to cool down between holes drilled.**

Recommendations:

It is essential that all bolt connections be checked after driving a short distance when you first install your roof racks. Bolt connections should be checked again at regular intervals (once a week is enough, depending on road conditions, usage, loads and distances travelled). You should also check the roof racks each time they are re-fitted. Always make sure to fasten your load securely. Please also ensure that all loads are evenly distributed and that the centre of gravity is kept as low as possible and must be entirely contained within the extents of the roof racks.

Note for Dealers and Fitters:

It is your responsibility to ensure these fitting instructions are given to the end user or client

Rhino-Rack, 22 Hanson St, Eastern Creek

NSW 2766, Australia

(02) 8846 1900

rhinorack.com.au

Document No: R1825

Prepared By: Kayle Everett

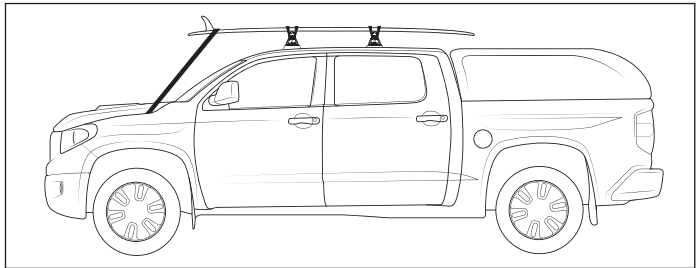
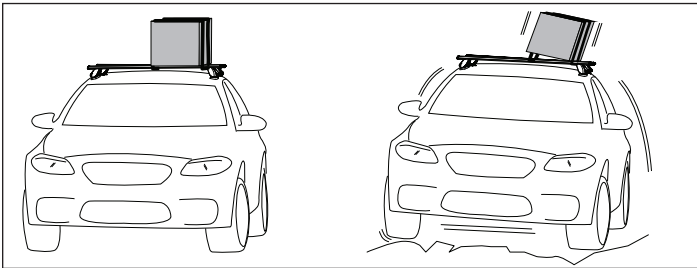
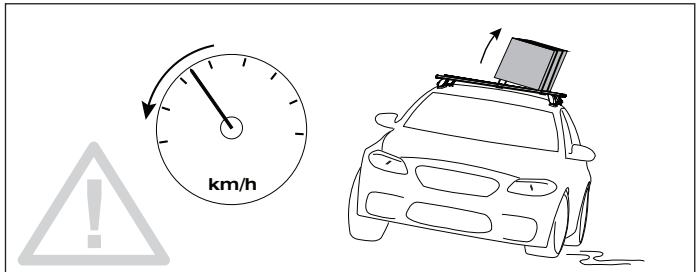
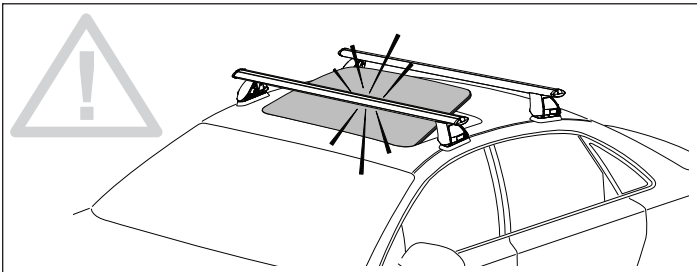
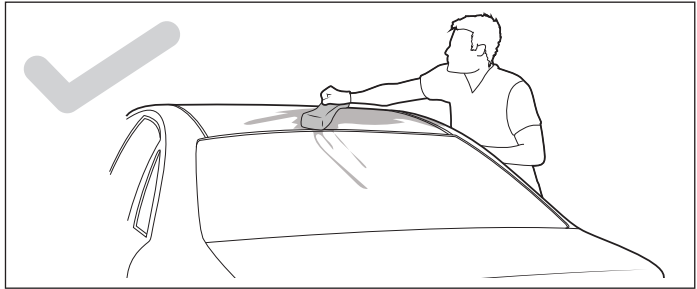
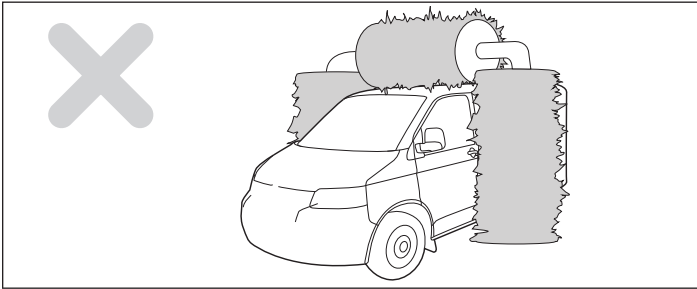
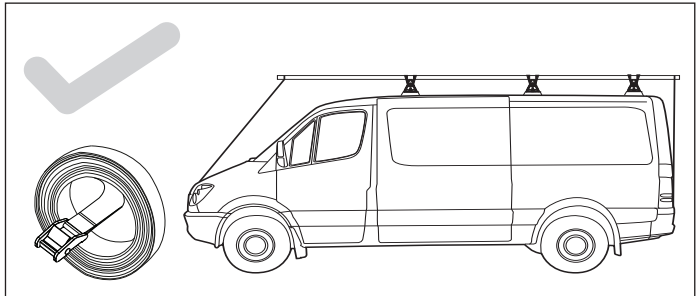
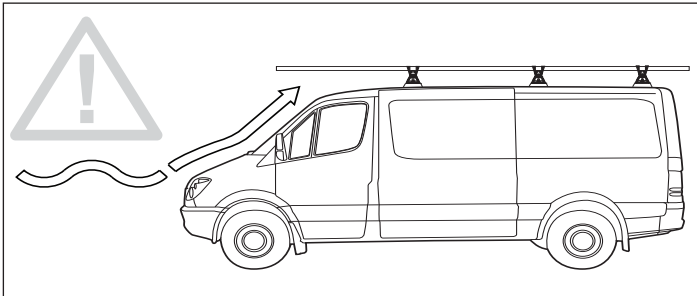
Authorised By: William Davis

Issue No: 02

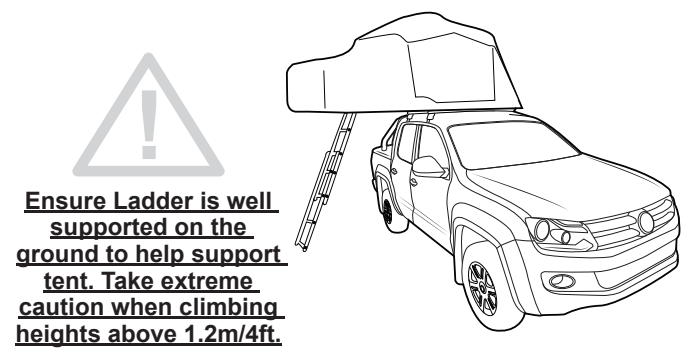
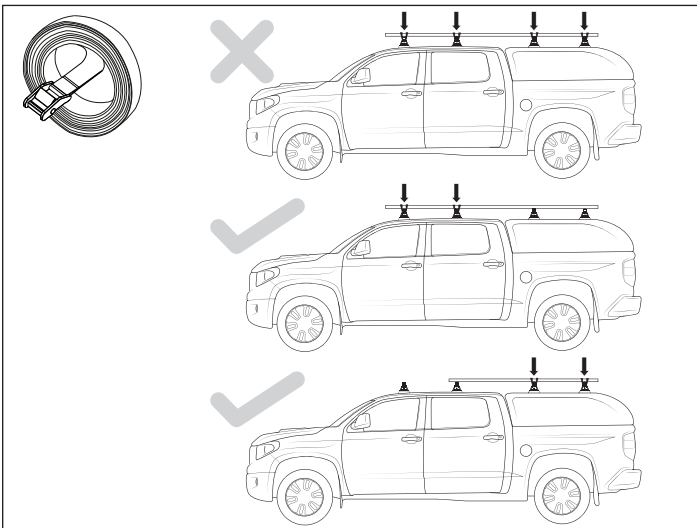
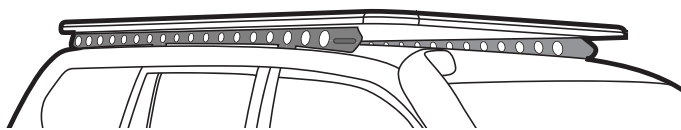
Issue Date: 30/10/2018

These instructions remain the property of Rhino-Rack Australia Pty. Ltd. and may not be used or changed for any other purpose than intended.

GMC Canyon Crew Cab/ Chevrolet Colorado Crew Cab Backbone - RCCB1



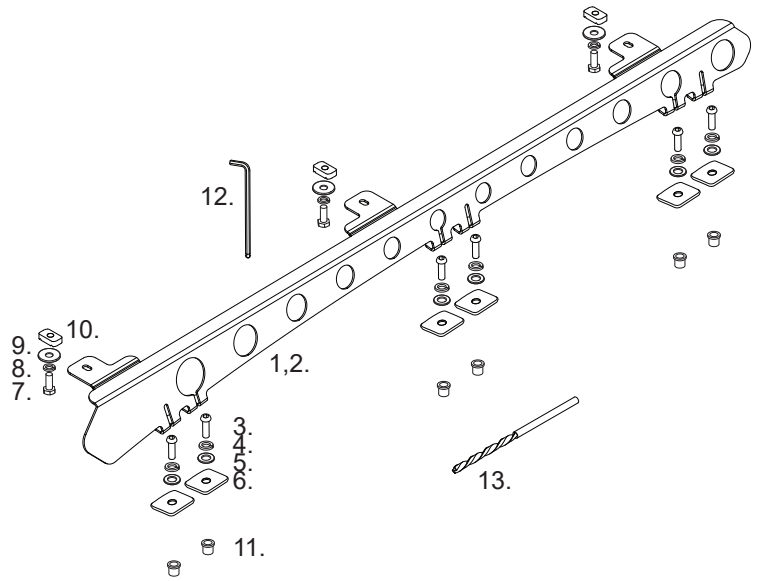
System Weight: 27.5kg - 32kg



GMC Canyon Crew Cab/ Chevrolet Colorado Crew Cab Backbone - RCCB1

Parts List

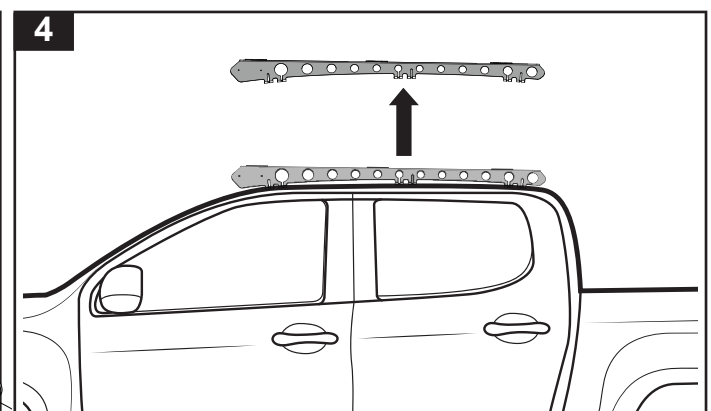
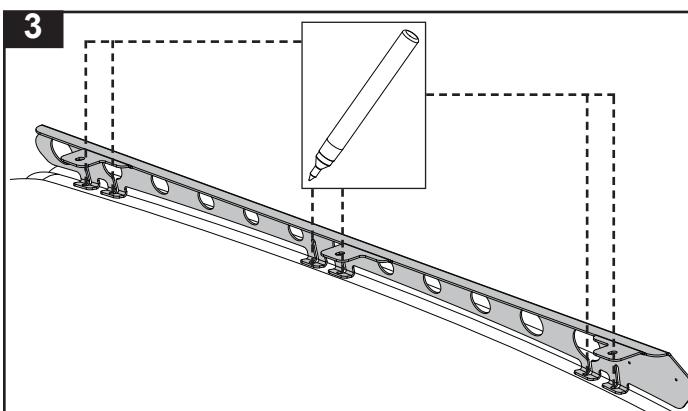
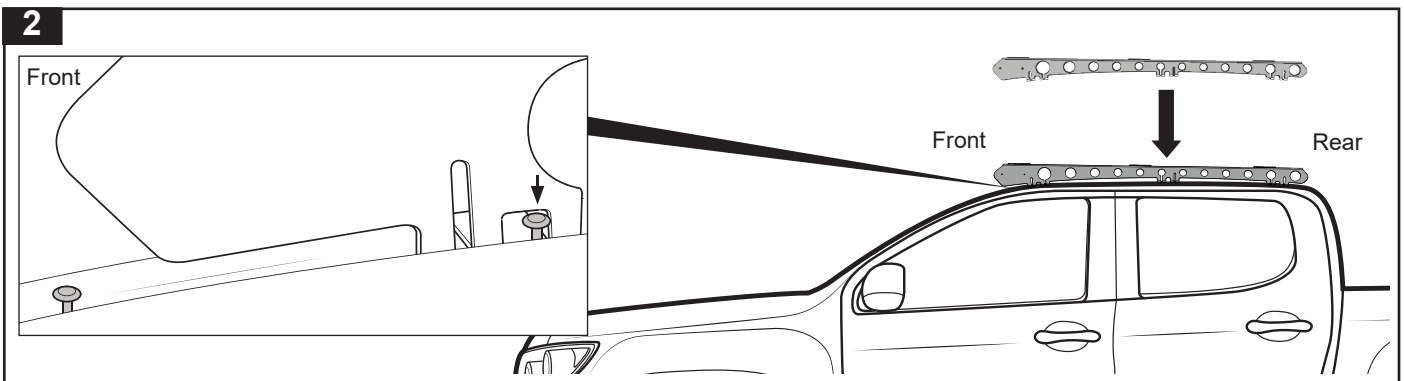
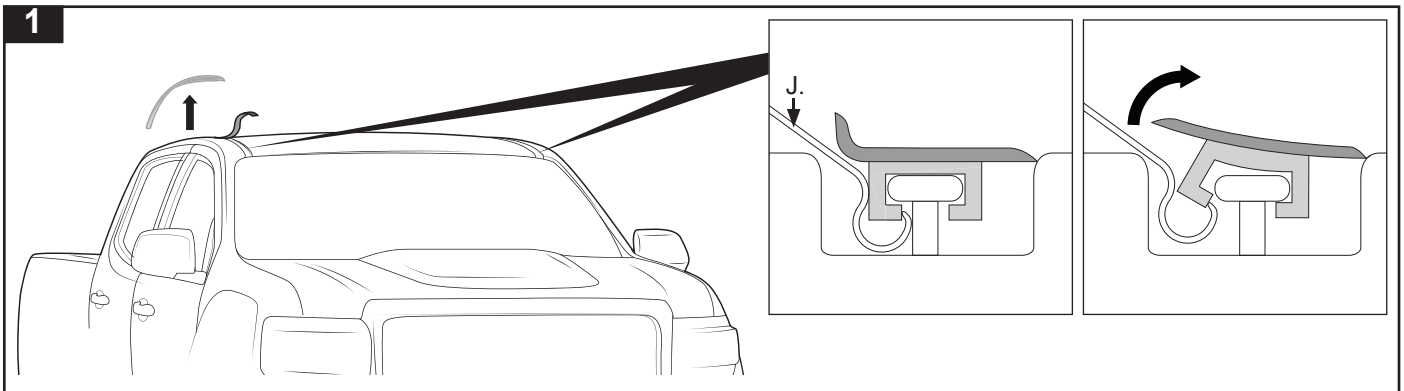
Item	RCCB1	Qty	Part No.
1	Colorado/ Canyon Backbone LH	1	CA1909
2	Colorado/ Canyon Backbone RH	1	CA1910
3	M6 x 20mm Socket Head Screw	12	B054
4	M6 Spring Washer	12	W004
5	M6 12.5mm Flat Washer	12	W003
6	Butyl Patch 20 x 20mm	12	CA1266
7	M8 x 20mm Hex Bolt	6	B020-BLK
8	M8 Spring Washer	6	W019-BLK
9	M8 x 24mm Flat Washer	6	W064-BLK
10	M8 Channel Nut	6	N003-BLK
11	Rivnut	12	N070
12	Ball End Allen Key 5mm	1	H058
13	Drill Bit 9mm	1	-
14	Instructions	1	R1825



Tools Required

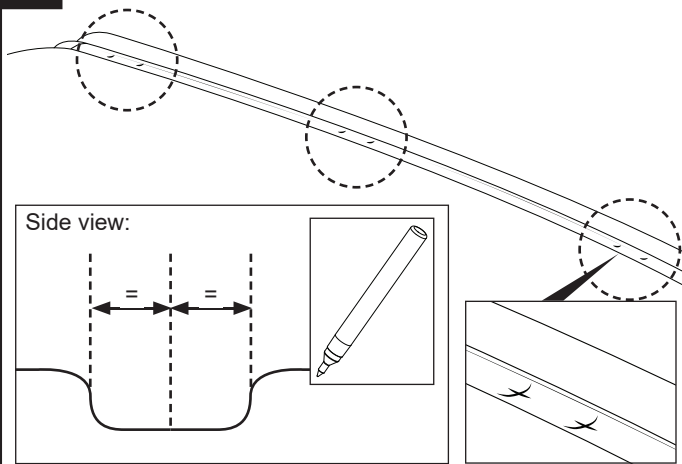
- | | | | | | |
|-----------------|------------------|-----------------------|----------------------|----------------|-----------|
| A. Power Drill | C. 3mm Drill Bit | E. Marker | G. Drill Stop | I. 13mm Wrench | K. Vacuum |
| B. Centre Punch | D. 5mm Drill Bit | F. Metric Rivnut Tool | H. Galvanising Paint | J. Clevis Hook | L. Hammer |

Instructions

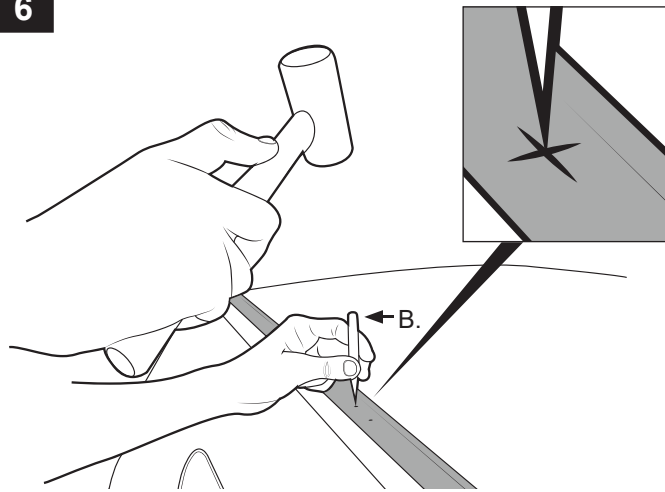


GMC Canyon Crew Cab/ Chevrolet Colorado Crew Cab Backbone - RCCB1

5

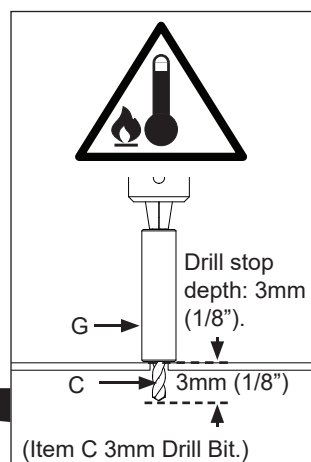
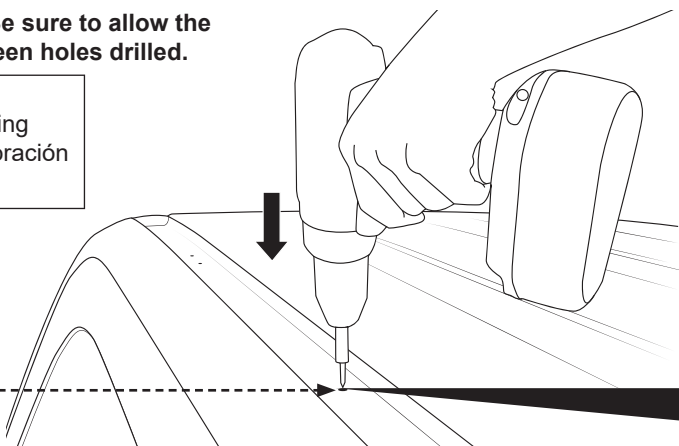
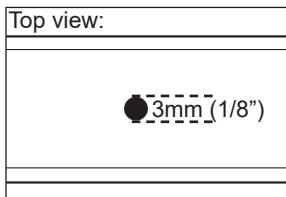
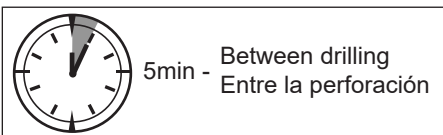


6



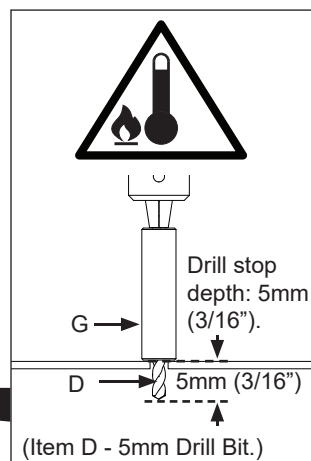
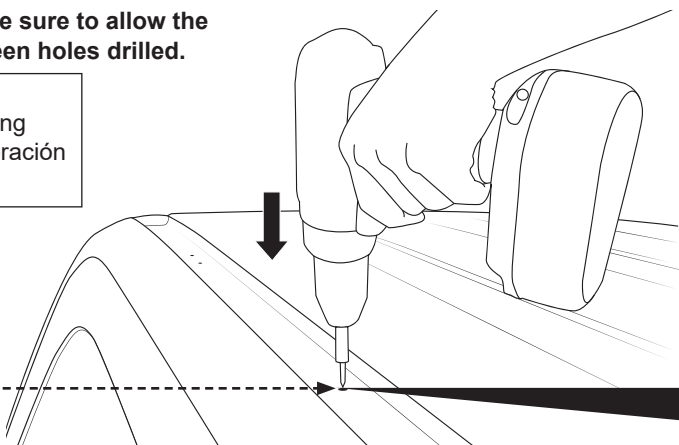
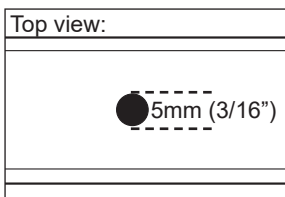
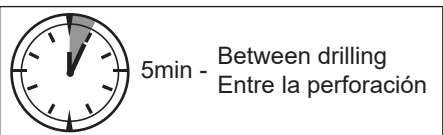
7

Note: Hardened steel roof. **Be sure to allow the drill bit to cool down between holes drilled.**



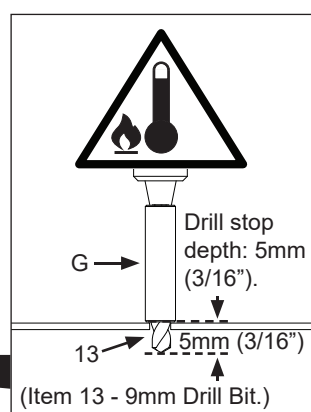
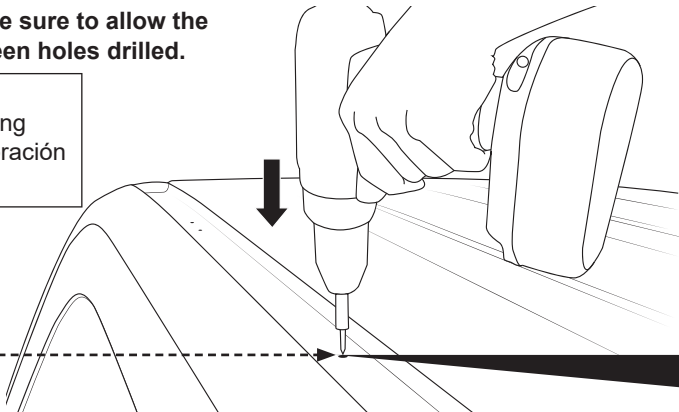
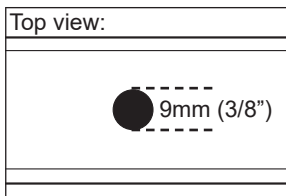
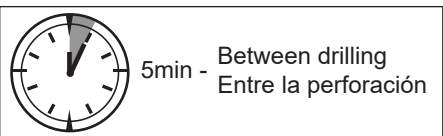
8

Note: Hardened steel roof. **Be sure to allow the drill bit to cool down between holes drilled.**

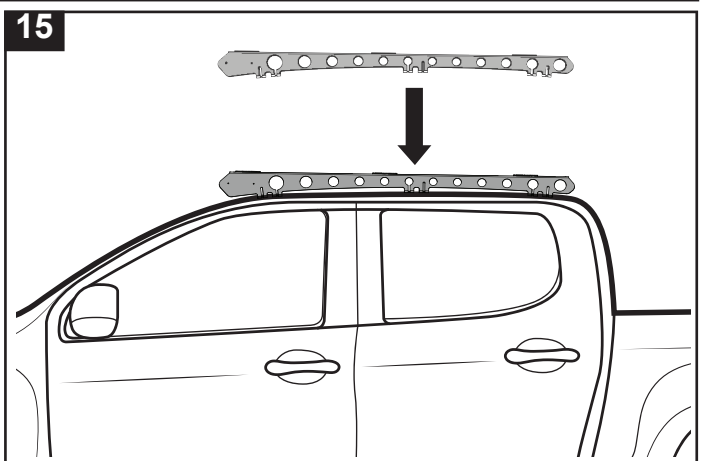
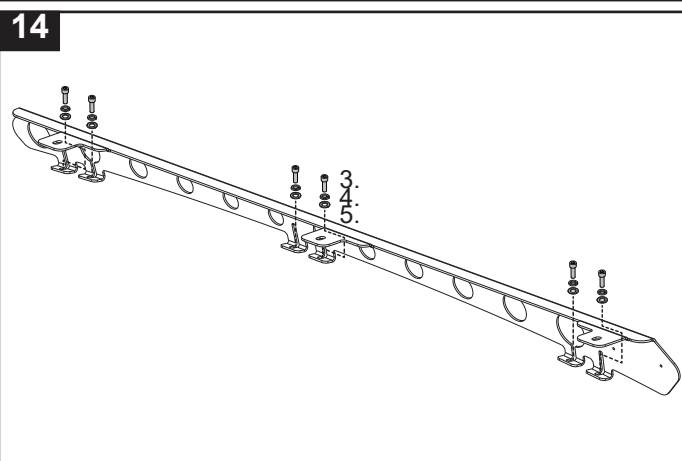
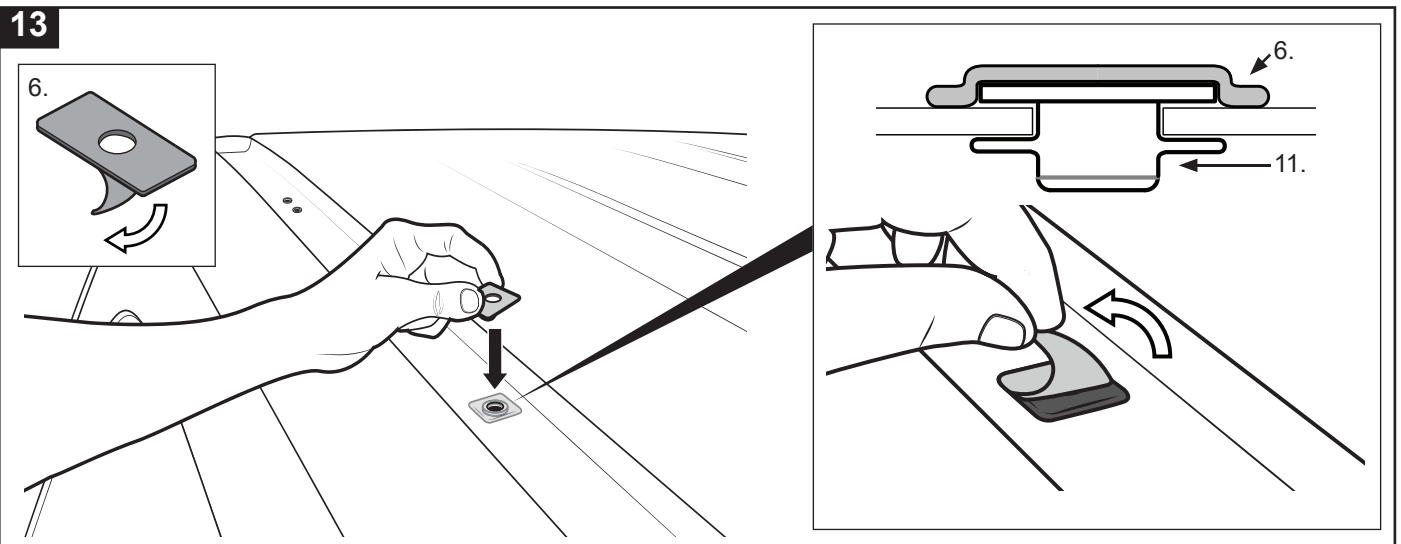
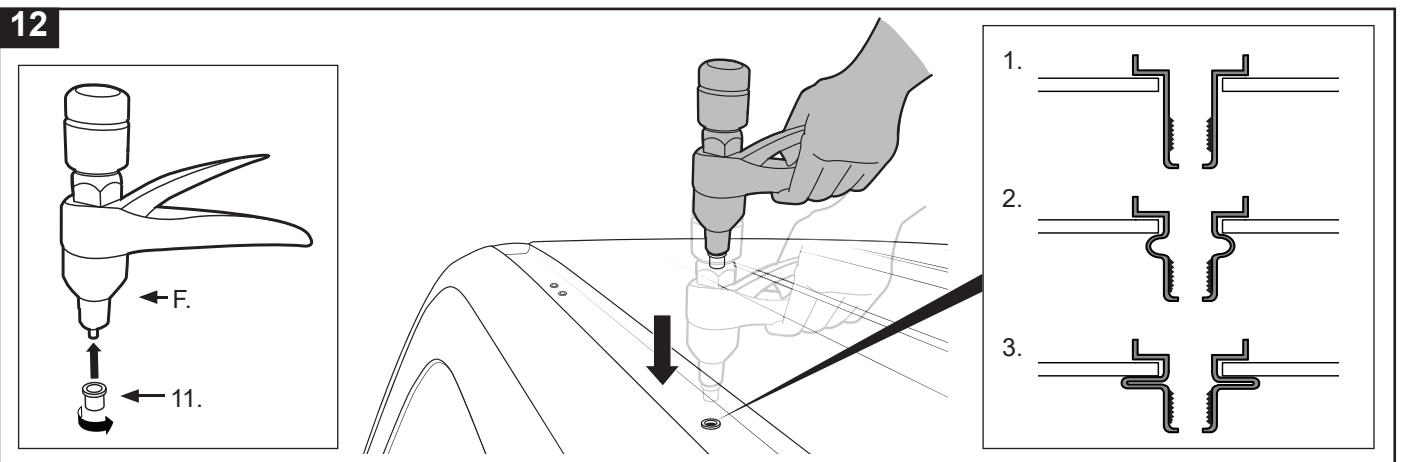
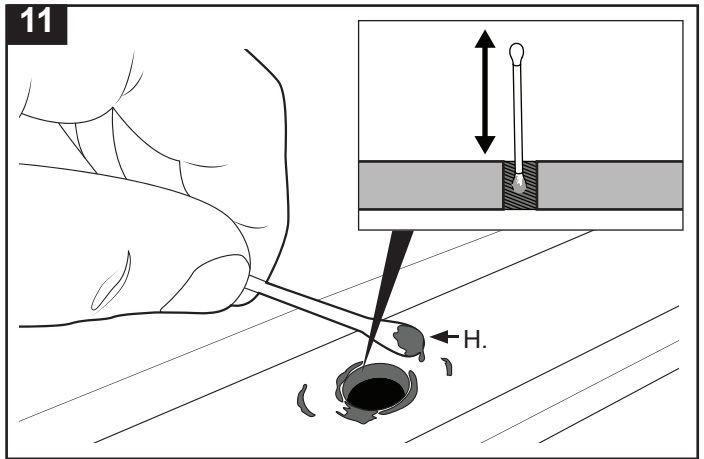
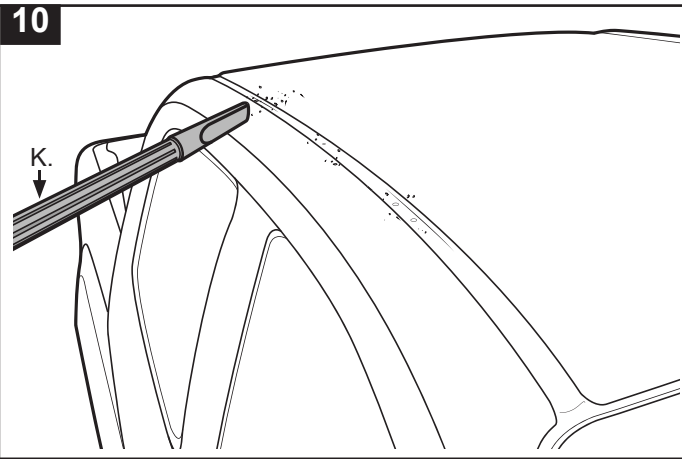


9

Note: Hardened steel roof. **Be sure to allow the drill bit to cool down between holes drilled.**



GMC Canyon Crew Cab/ Chevrolet Colorado Crew Cab Backbone - RCCB1



GMC Canyon Crew Cab/ Chevrolet Colorado Crew Cab Backbone - RCCB1

