



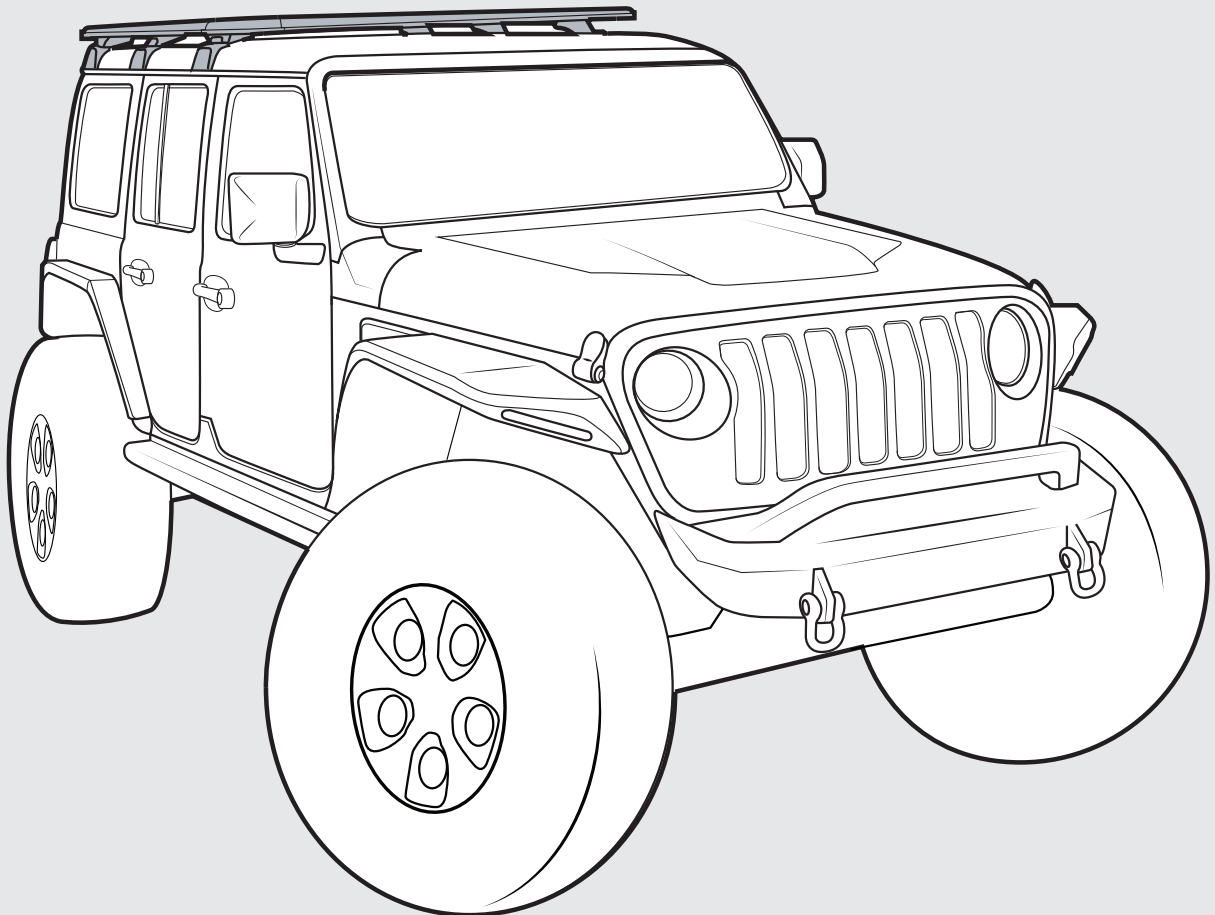
RHINO-RACK®

Jeep Wrangler JL 4-Door Backbone RJLB1

Important:

1. Check the Rhino-Rack website to ensure you have the latest issue of these instructions.
2. Please refer to your fitting instruction to ensure that the roof racks are installed in the correct locations.
3. Check the contents of kit before commencing fitment and report any discrepancies.
4. Place these instructions in the vehicle's glove box after installation is complete.
5. These instructions must be followed for warranty to be upheld.

Fit Time: 3 hours



Distribute loads evenly and longitudinally as low as possible over the span.

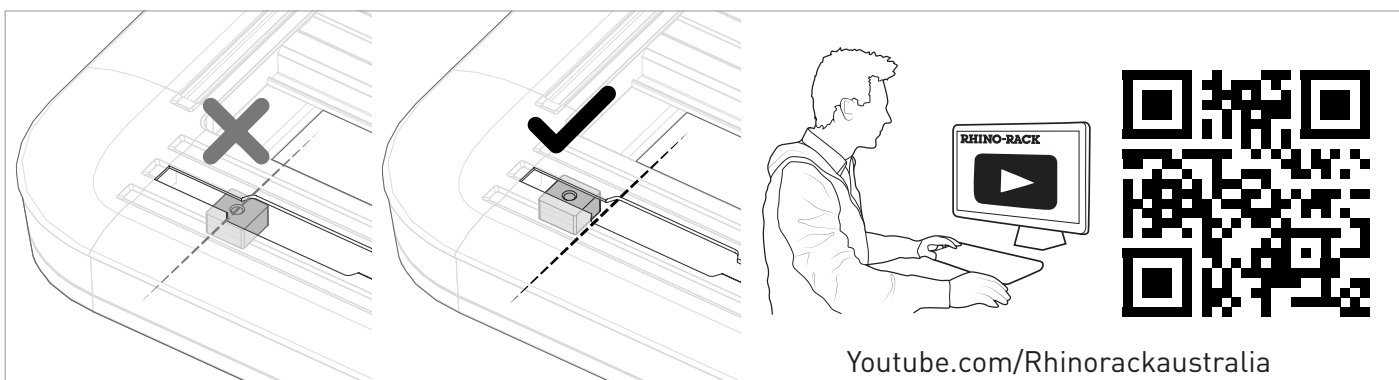
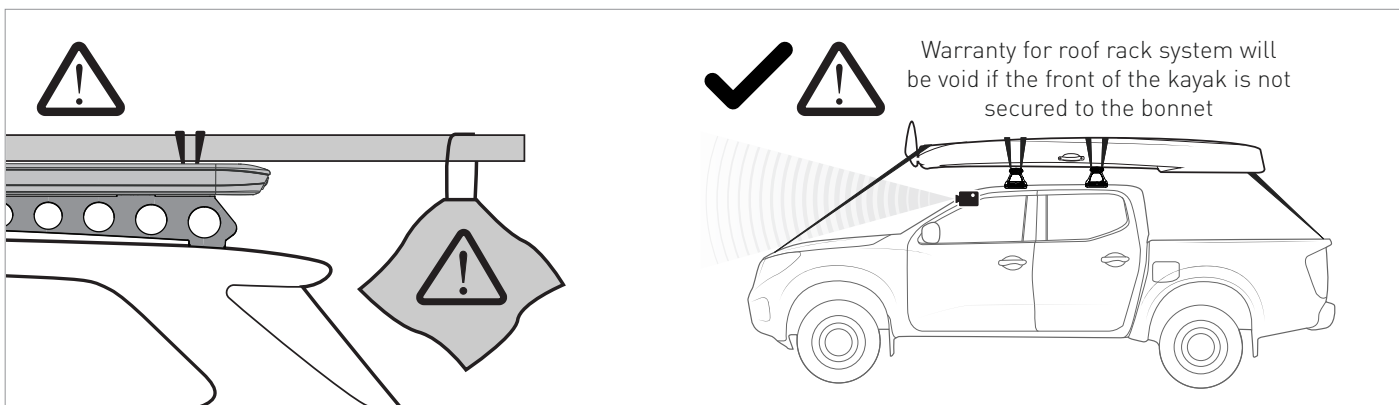
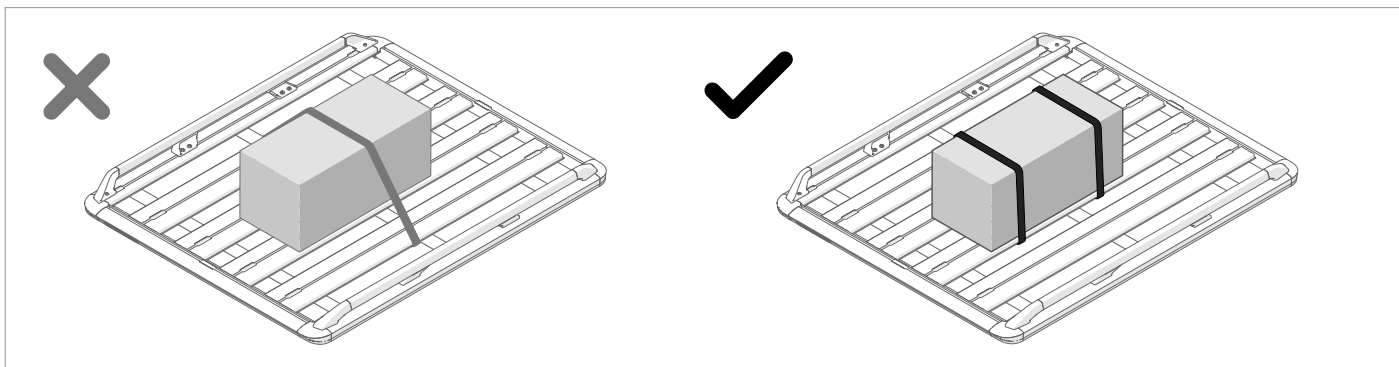
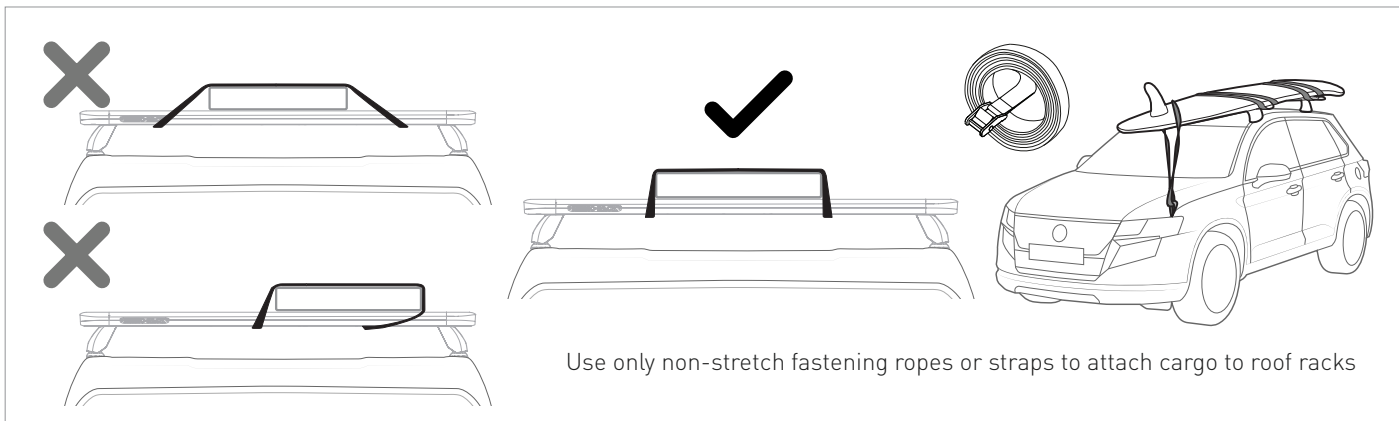
Avoid point loads concentrated at the front or rear.

Exercise extreme care when transporting wind-resistant loads. Special consideration must be taken when cornering and braking.

Off-road conditions can be much more rigorous. Extreme care must be taken on any driven path that does not contain a surface protection layer (tar/bitumen).

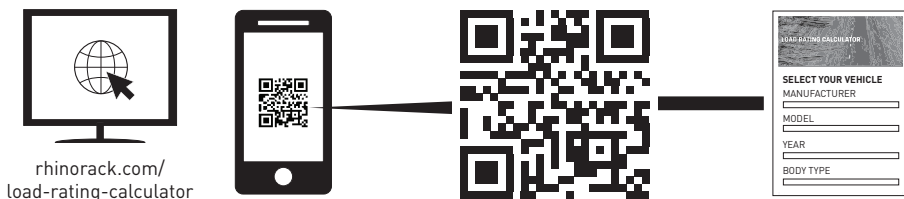
Long flexible loads must attach securely to rigid support and be tied down to the bonnet

Surfboard Overhang > 600mm must be tied to the bonnet



Carrying Capacity

Check the website and the vehicle owners hand book for your vehicle manufacturer’s maximum carrying capacity. Load must be evenly distributed over the system.



Cargo Load Limit

Total permissible weight allowed on top, and attached to the rack whilst the vehicle is in motion.



System Weight

Total weight of the rack system. (e.g. Crossbars, Backbone, Platform)



Max System Load Capacity

Please ensure you use the vehicle manufacturer’s maximum roof allowance if it is lower than the figure listed in the fitting chart/supplement.



Vehicle Manufacturer’s Load Limit

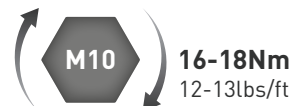
Total permissible weight attached to the rack. This is inclusive of the weight of the rack system.

In service maintenance checks

- All bolt connections should be checked after driving a short distance when you first install your roof racks.
- All bolted connections should be checked again at regular intervals (weekly is recommended, depending on road conditions, usage, loads and distances travelled).
- All bolted connections should be checked each time they are re-fitted.
- Off-road conditions are more rigorous. Check all bolted connections and your load more regularly.
- Ensure that your vehicle manufacturer’s GVM, and gross axle weights are not exceeded (refer to vehicle owner’s manual).

Torque Settings:

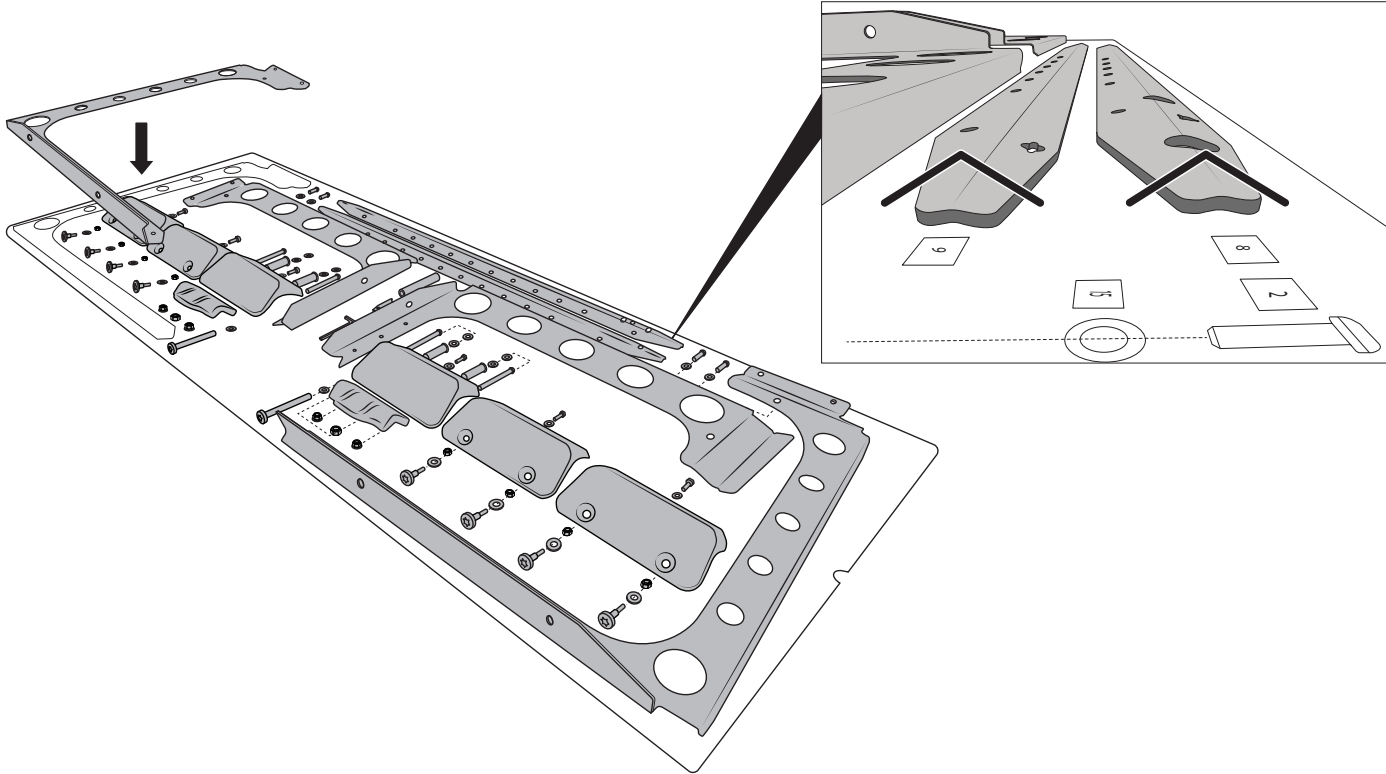
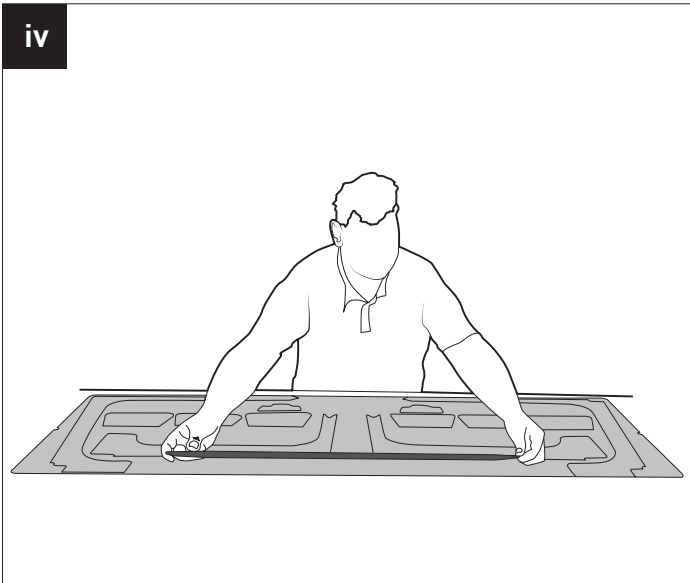
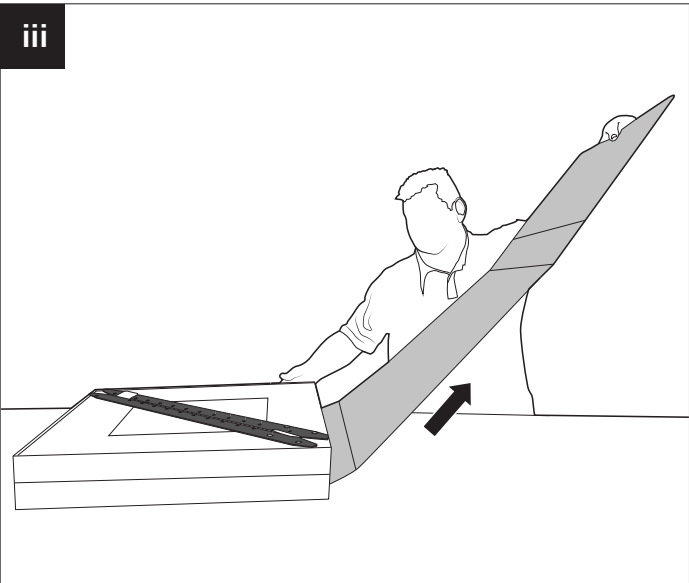
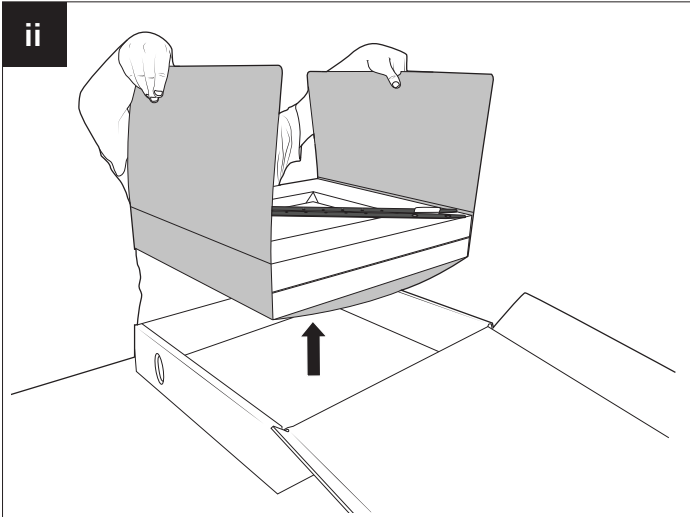
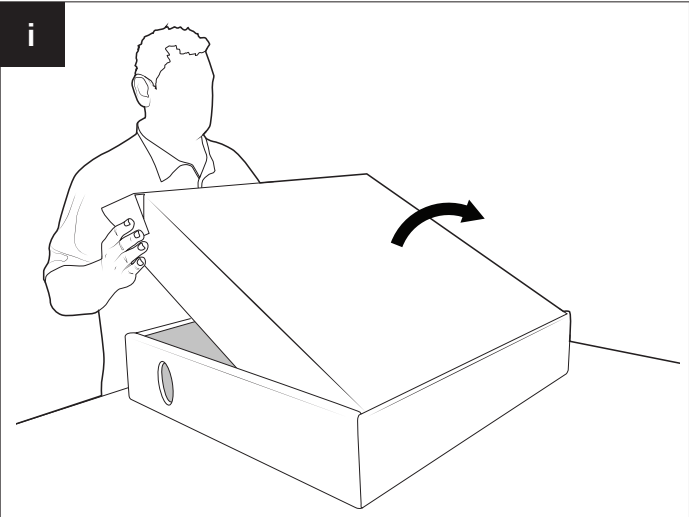
Unless stated otherwise in these instructions, all fasteners should be set to the following torque settings:



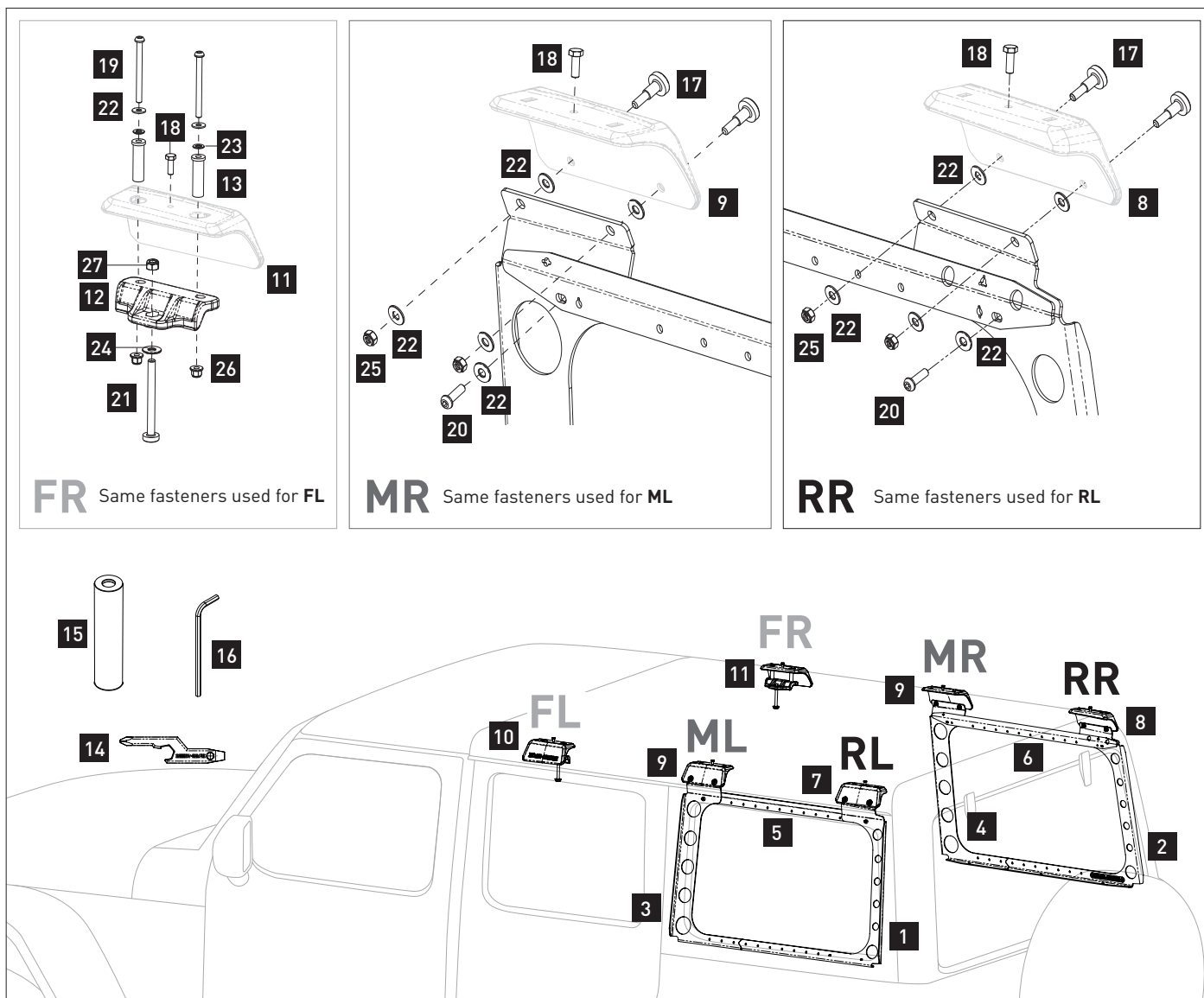
Note for Dealers and Fitters

It is your responsibility to ensure these fitting instructions are given to the end user or client. These instructions remain the property of Rhino-Rack Australia Pty. Ltd. and may not be used or changed for any other purpose than intended.

PREPARE FOR ASSEMBLY. PREPARARSE PARA EL MONTAJE



PARTS LIST (Begin install/assembly on page 8)



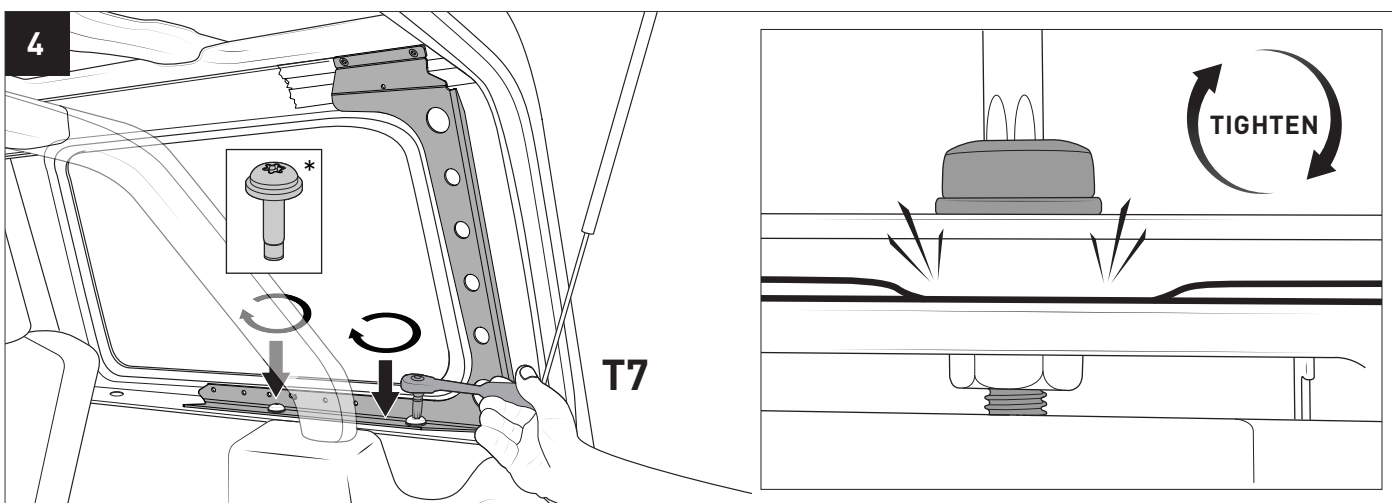
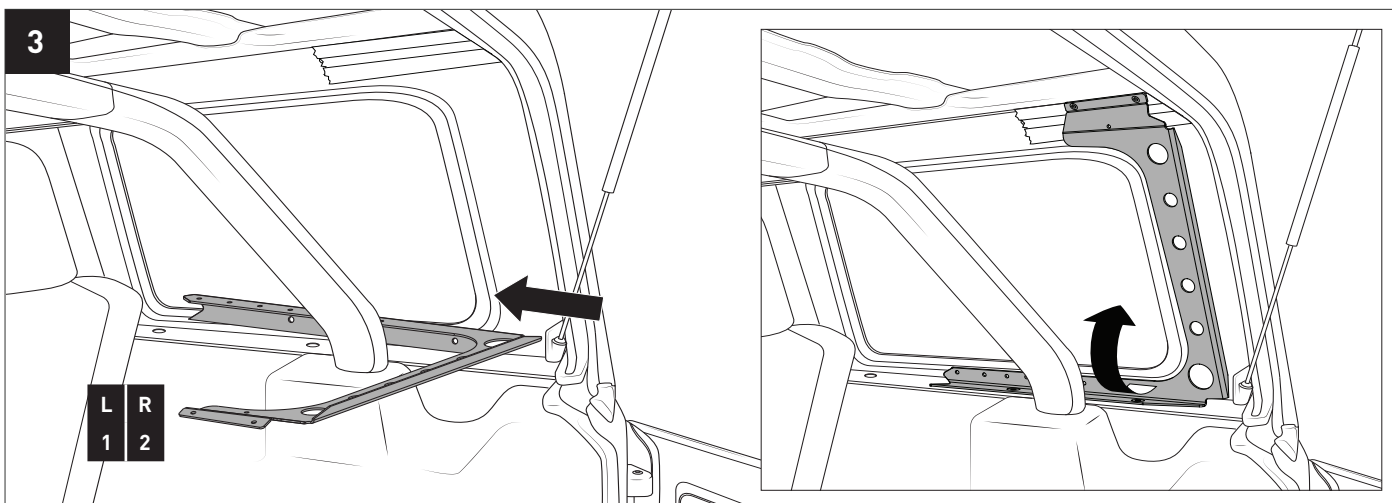
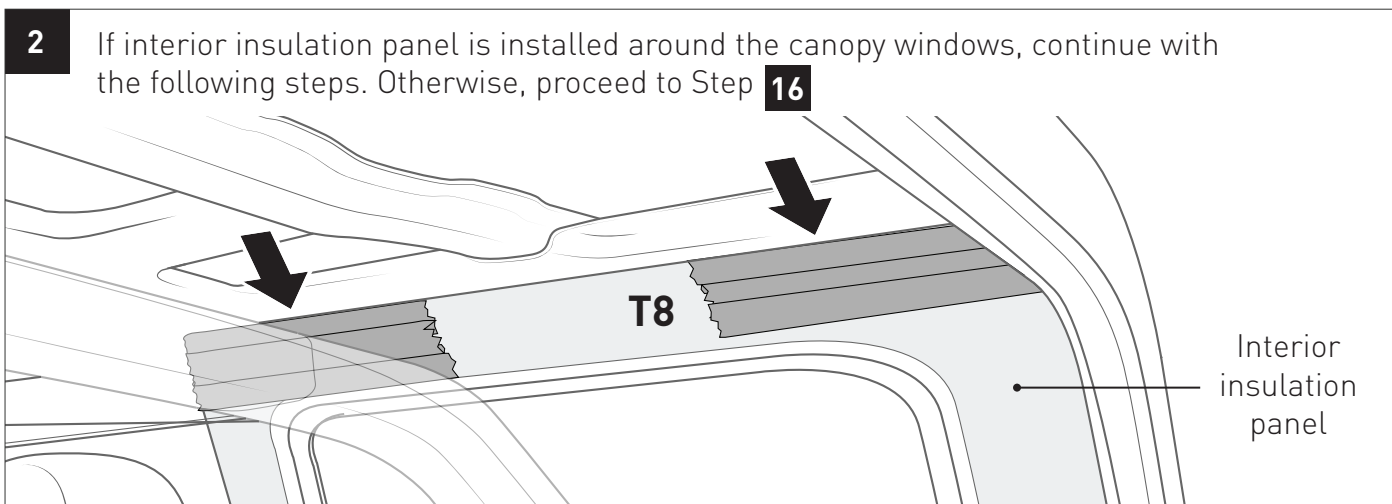
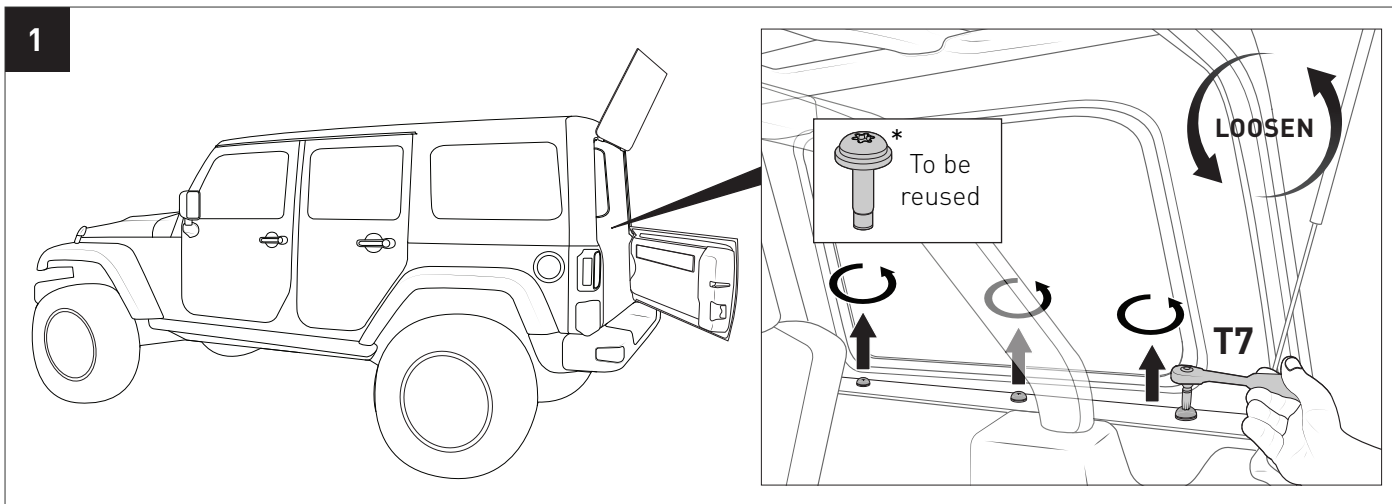
Item	Description	Qty	Item	Description	Qty
1	Rear Left Upright	1	15	12.5mm Drill Stop	1
2	Rear Right Upright	1	16	4mm Allen Key	1
3	Mid Left Upright	1	17	M6 T50 Shoulder Bolt	8
4	Mid Right Upright	1	18	M6 x 16 Hex Bolt	6
5	Left Horizontal	1	19	M6 x 65 Domehead Bolt	4
6	Right Horizontal	1	20	M6 x 20 Domehead Bolt	4
7	Rear Left Casting RL	1	21	M8 x 80 T50 Domehead Bolt	2
8	Rear Right Casting RR	1	22	M6 x 16 Flat Washer	24
9	Middle Casting M	2	23	M6 Rubber Washer	4
10	Front Left Casting FL	1	24	M8 x 21 Flat Washer	2
11	Front Right Casting FR	1	25	M6 Nyloc Nut	8
12	Rollbar Casting	2	26	M6 Flanged Nyloc Nut	4
13	Spacer Bushing	4	27	M8 Nyloc Nut	-
14	Spacer Multitool	1	28	Instructions	1

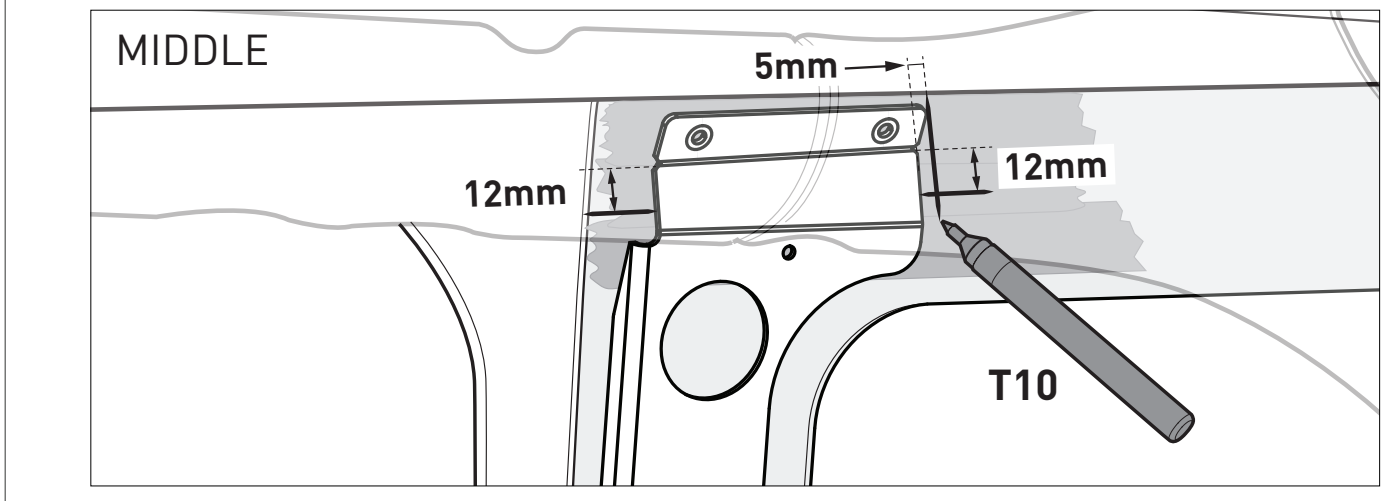
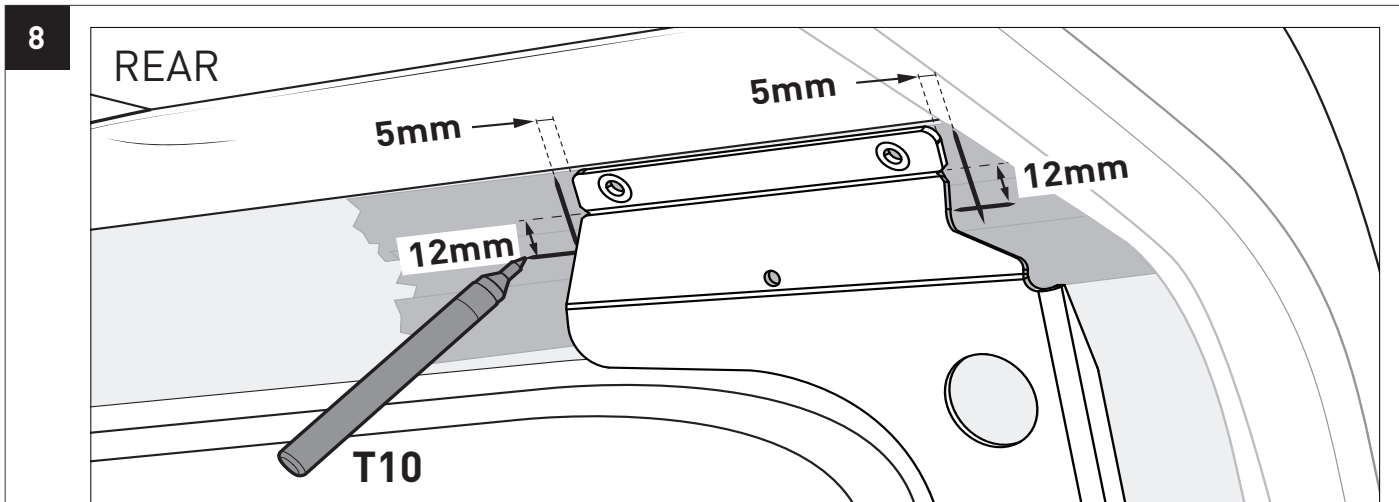
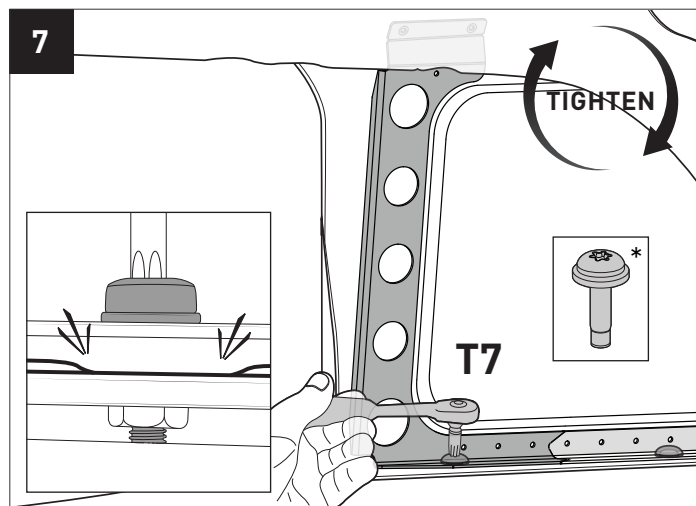
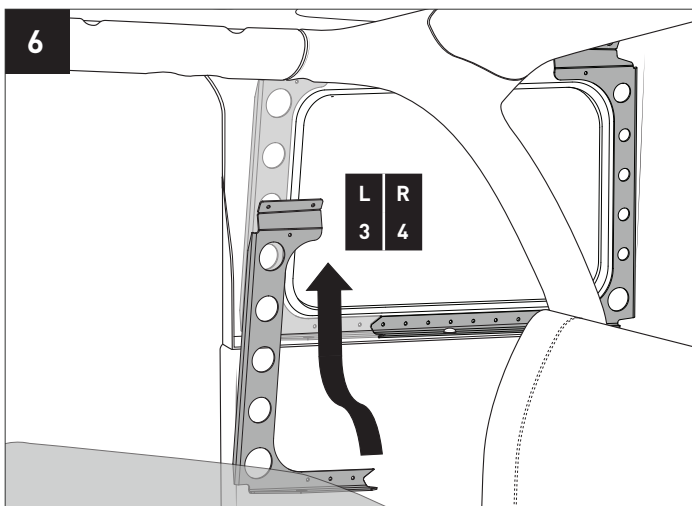
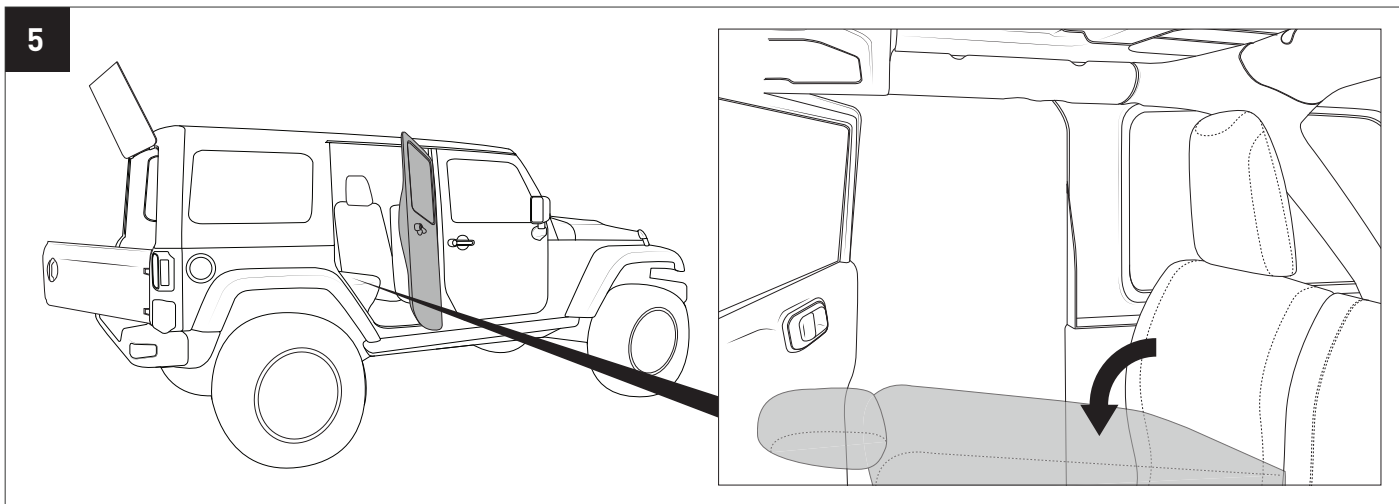
Safety Gear Required:

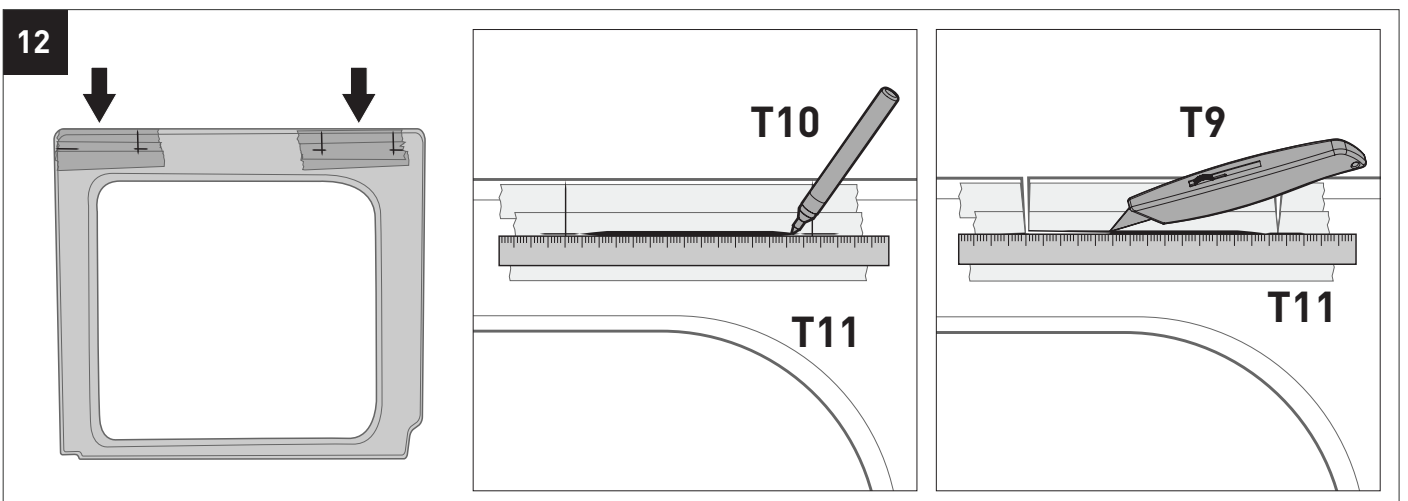
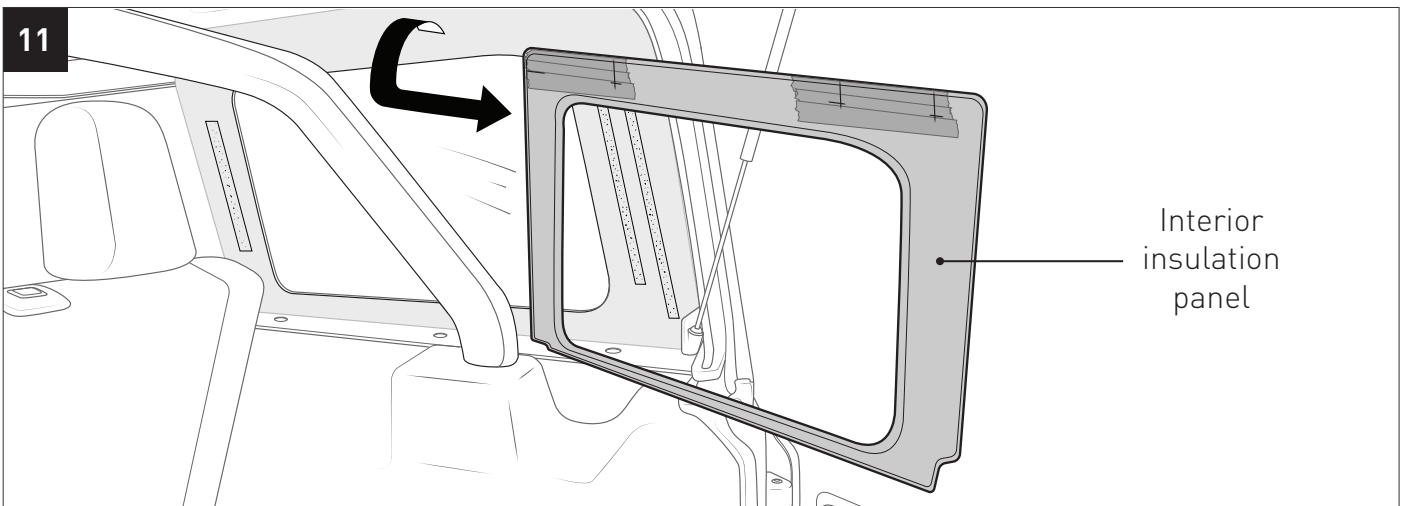
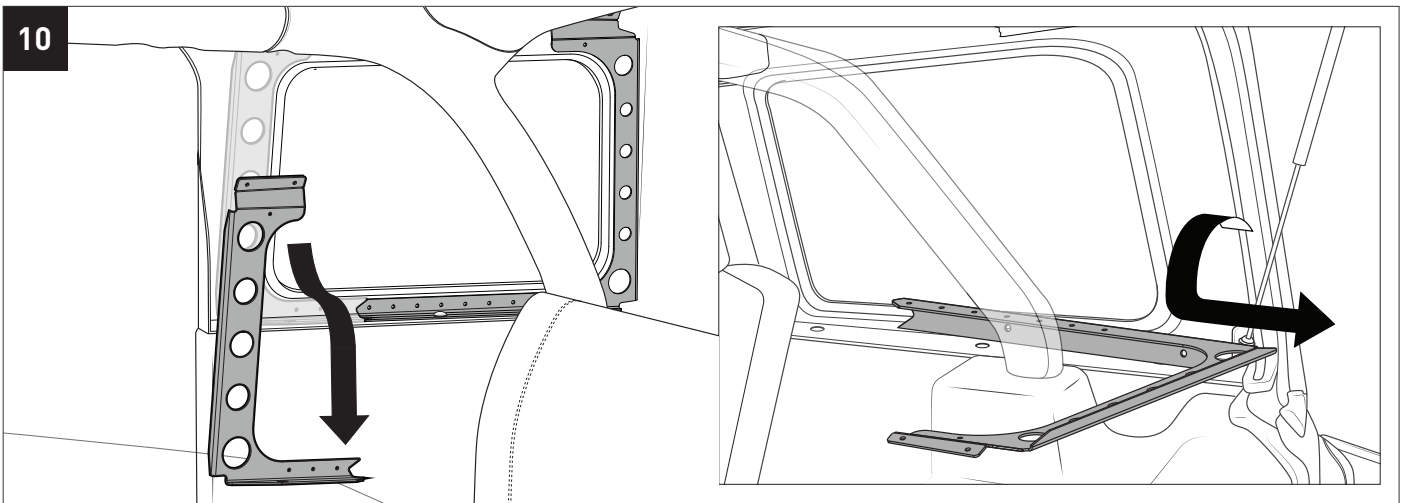
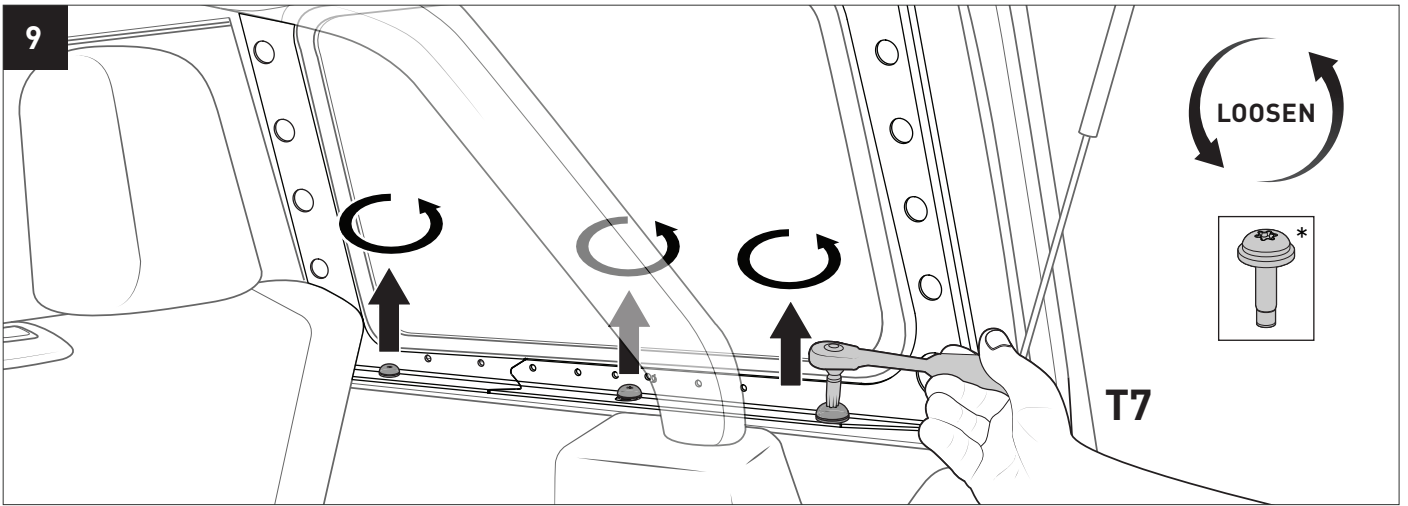


Tools Required:

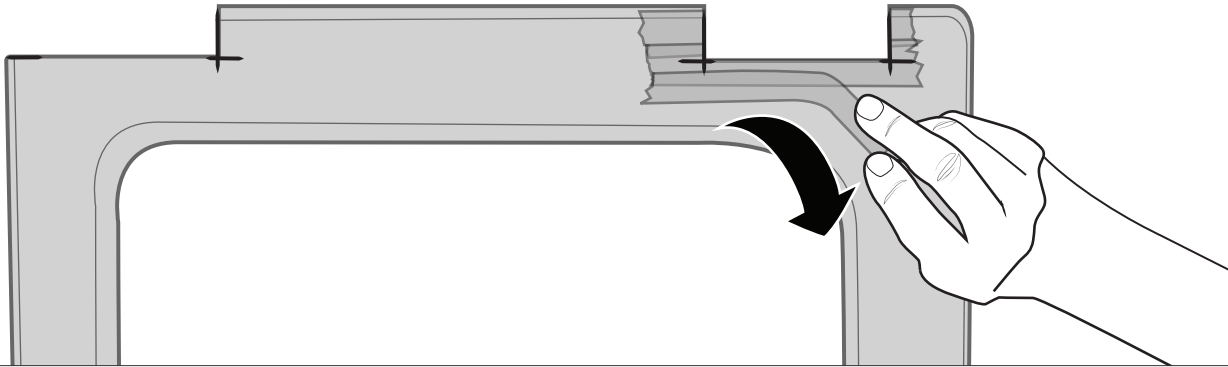
- T1 - Power Drill
- T2 - 12.5mm - 1/2" Drill Bit
- T3 - 6mm - 1/4" Drill Bit
- T4 - 8.5mm - 5/16" Drill Bit
- T5 - Vacuum cleaner
- T6 - Butyl Mastic / Silicone Sealant
- T7 - T50 Bit (Supplied in Jeep Ratchet tool)
- T8 - Masking Tape
- T9 - Knife
- T10 - Marker
- T11 - Ruler



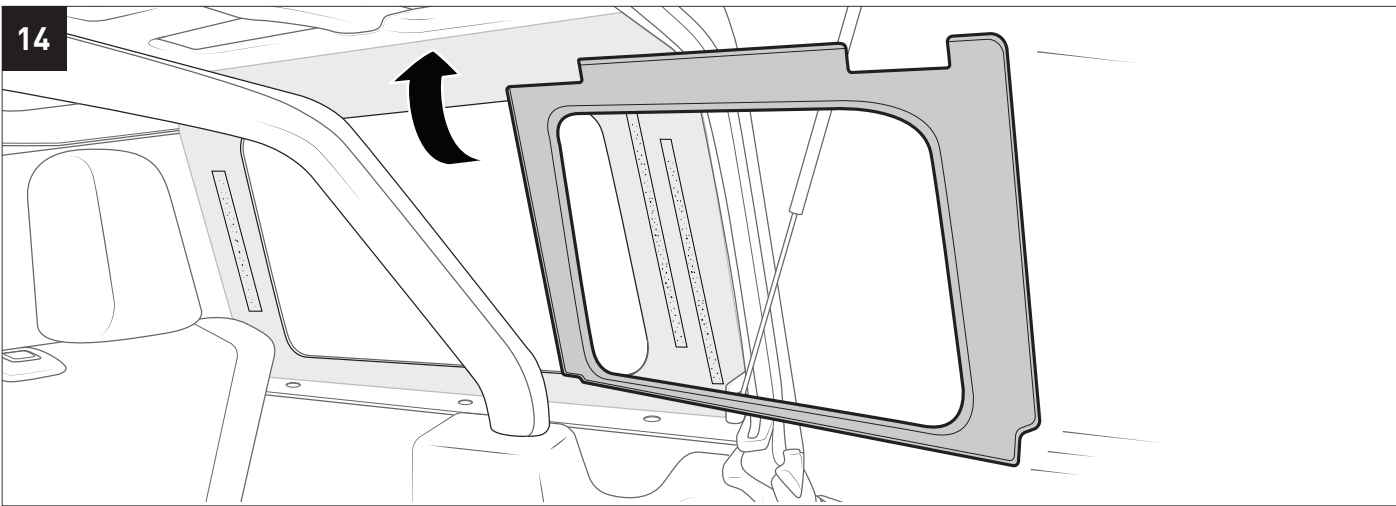




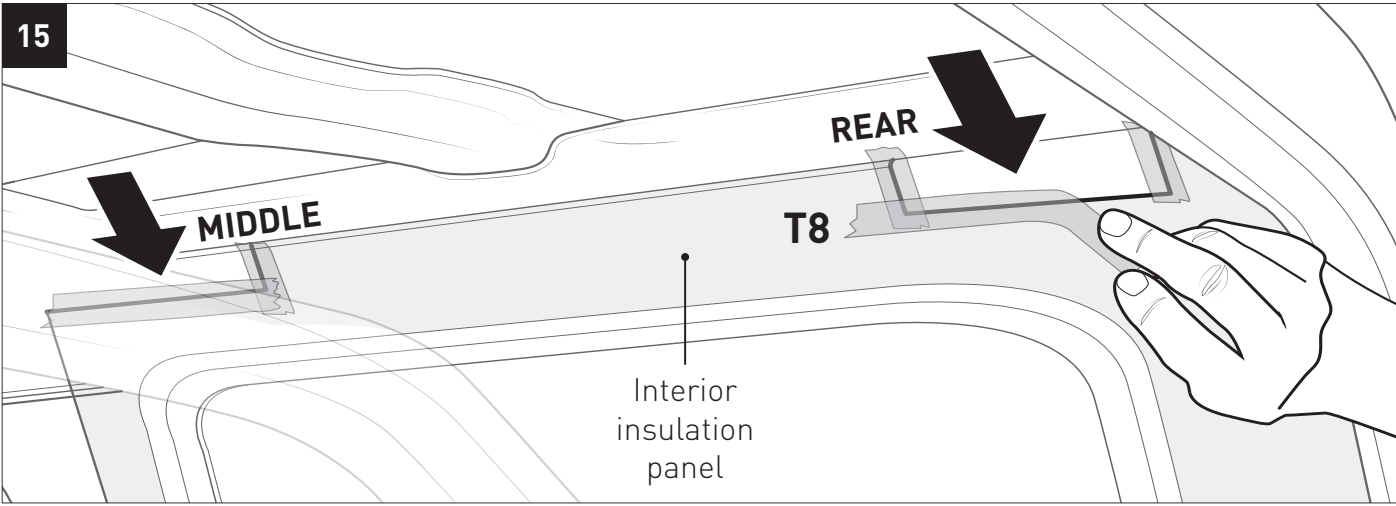
13



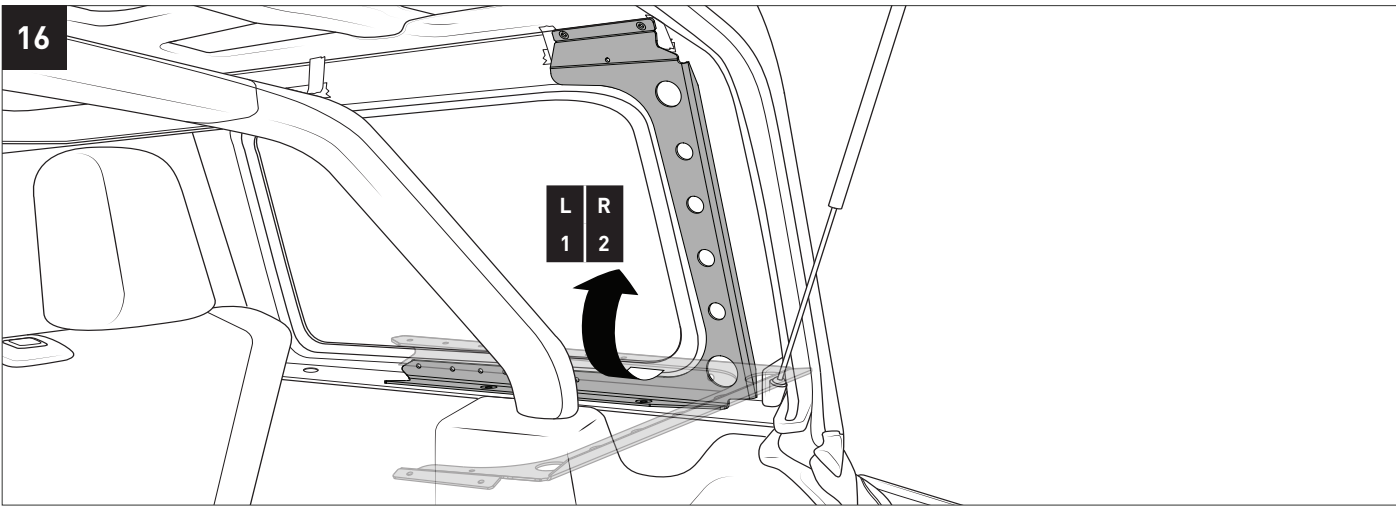
14

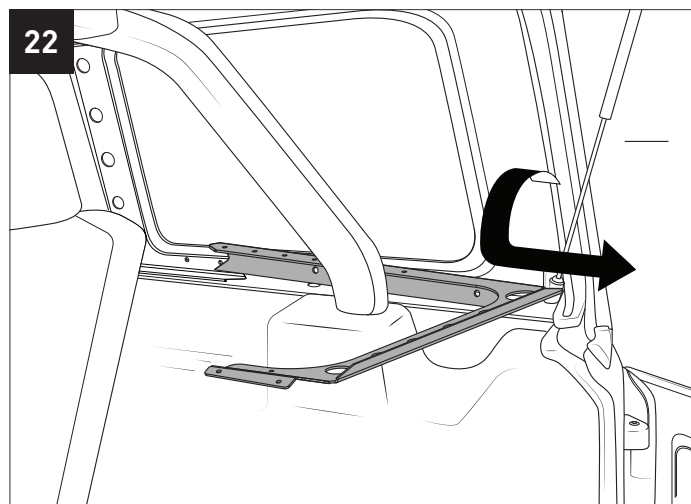
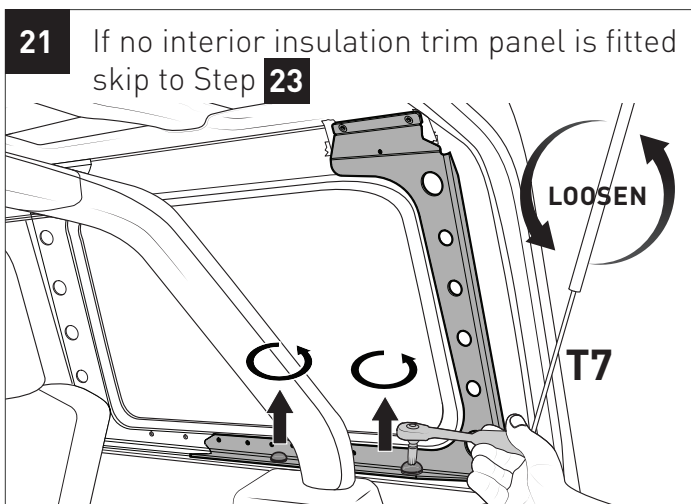
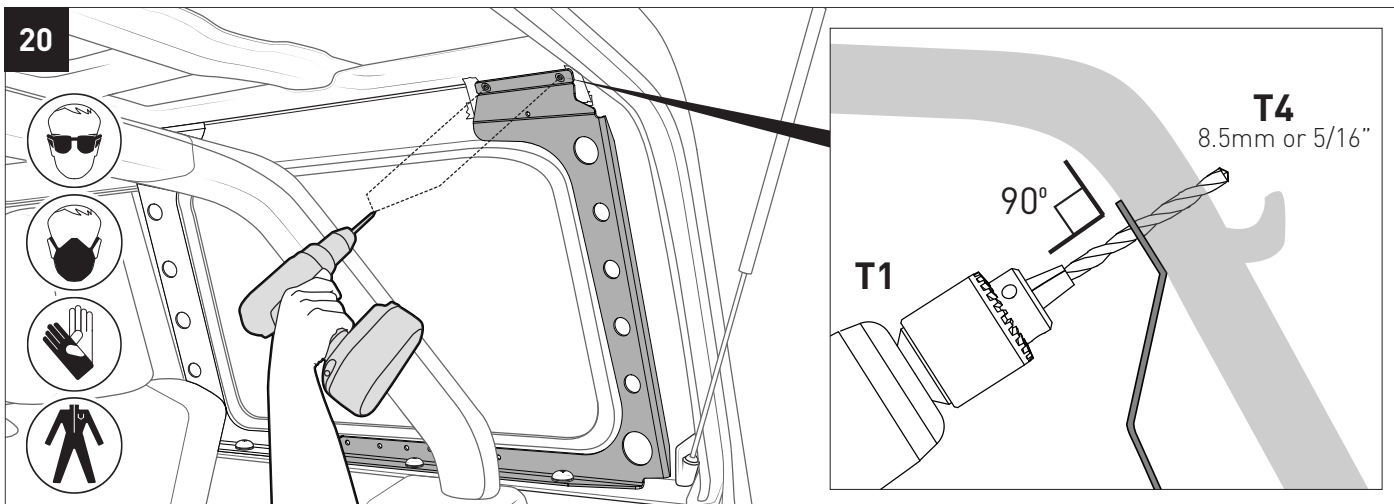
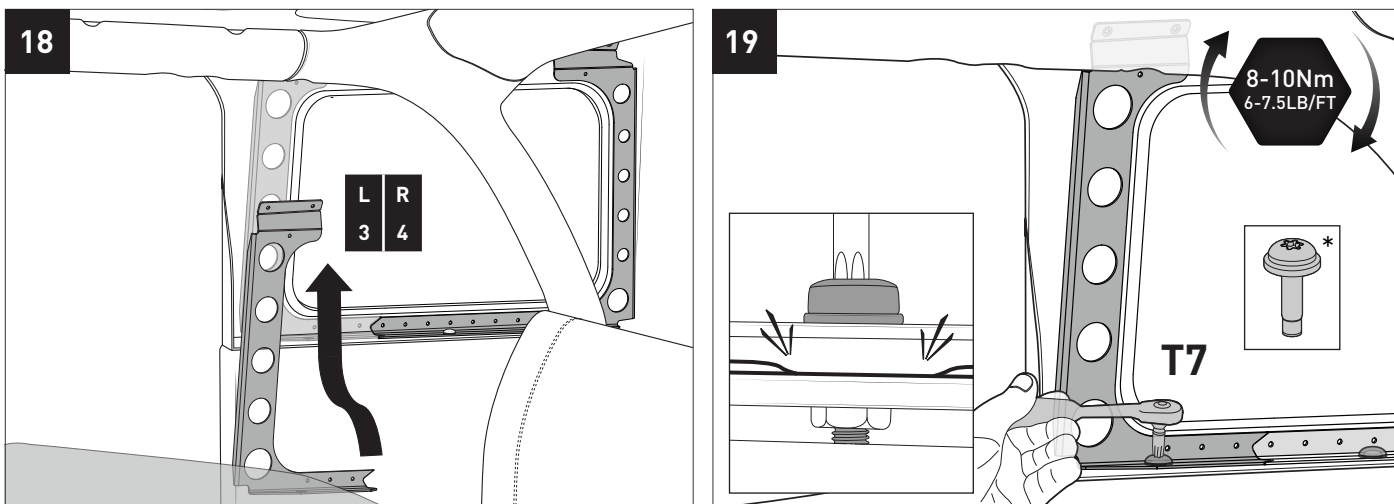
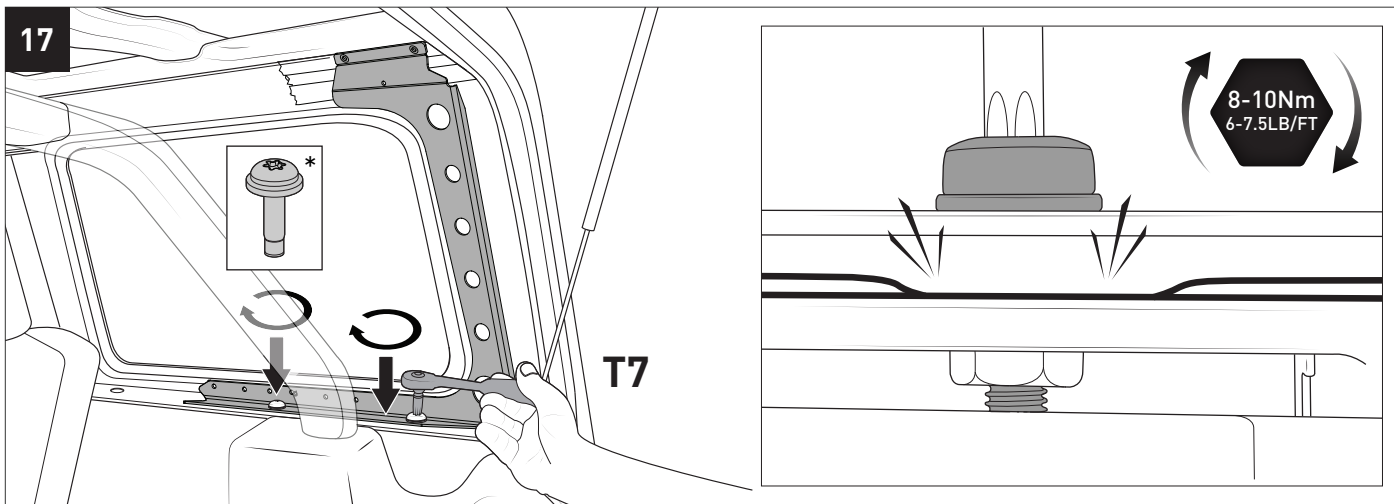


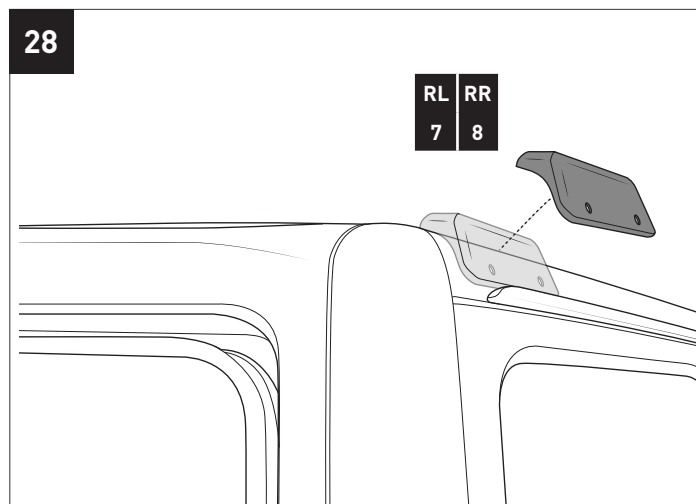
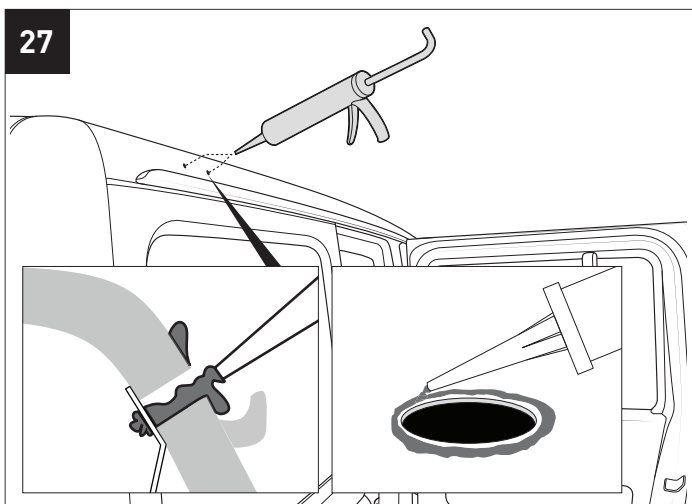
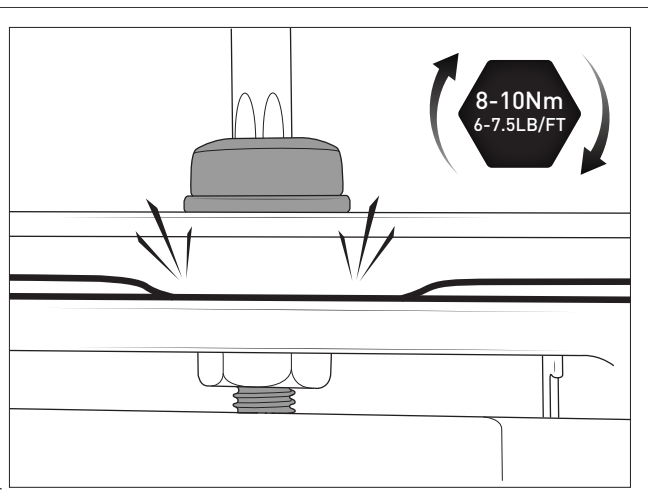
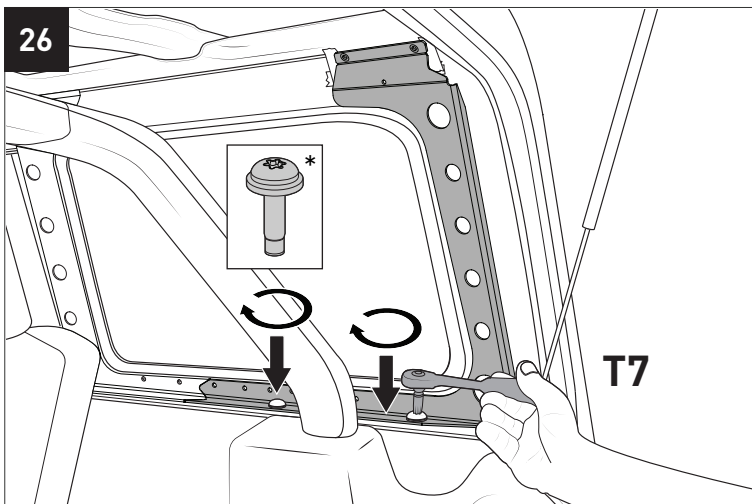
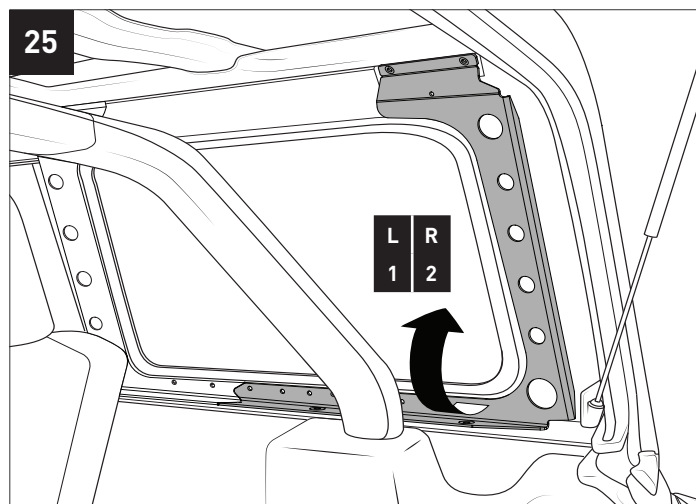
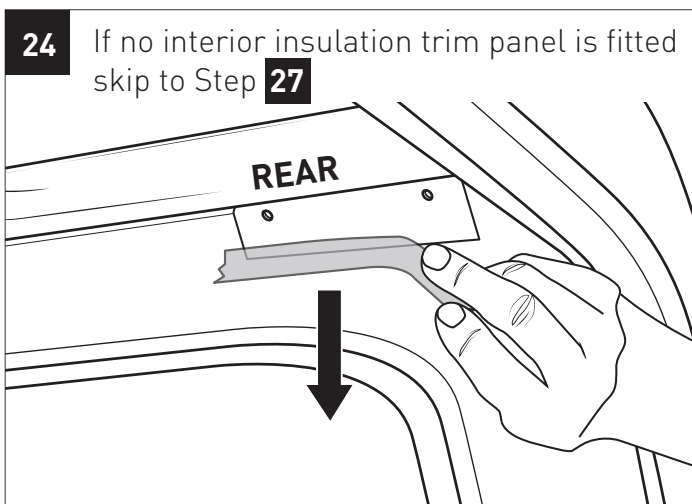
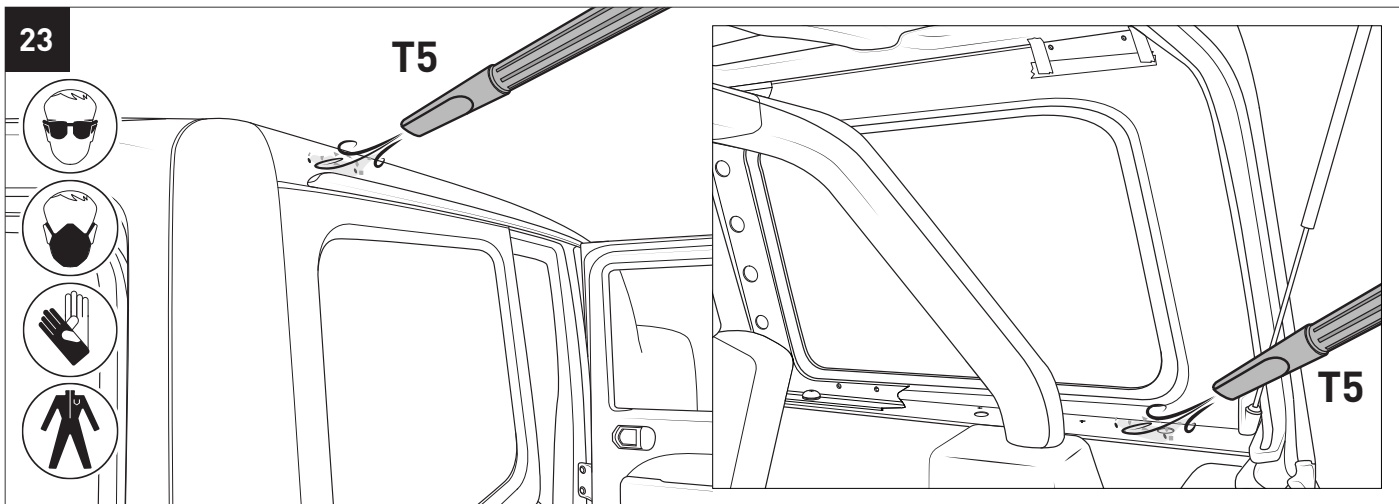
15

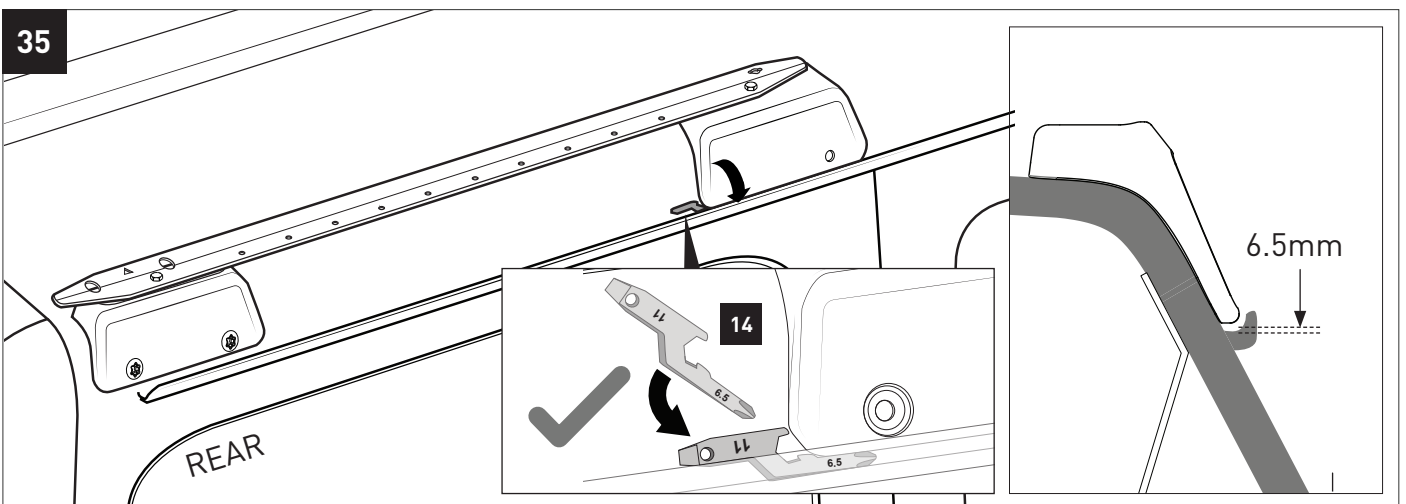
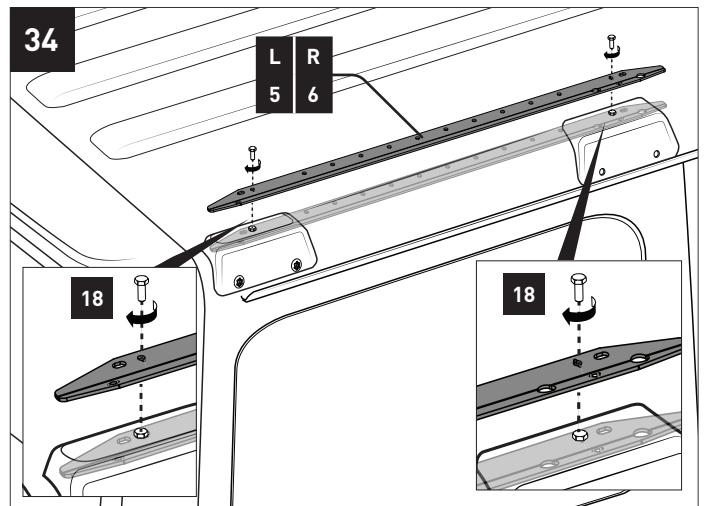
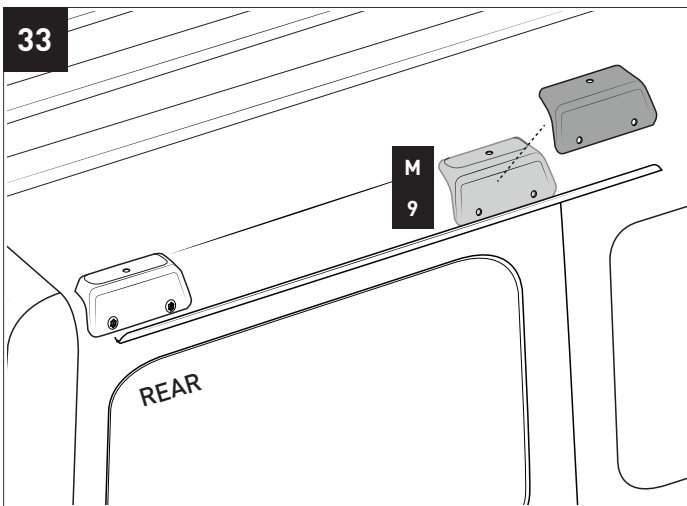
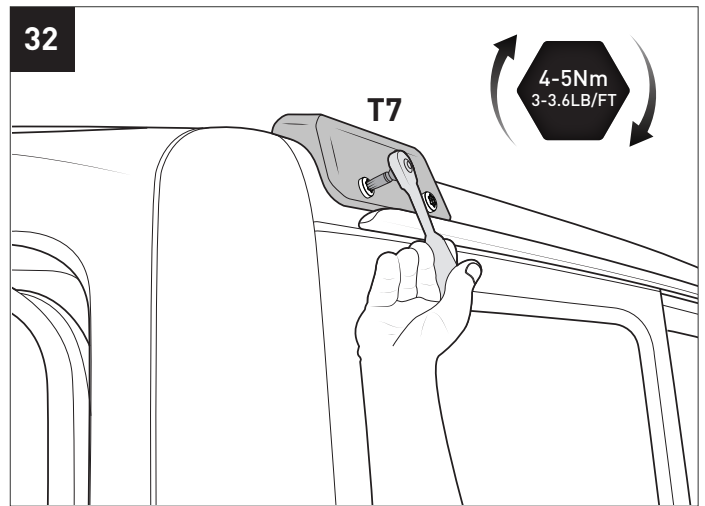
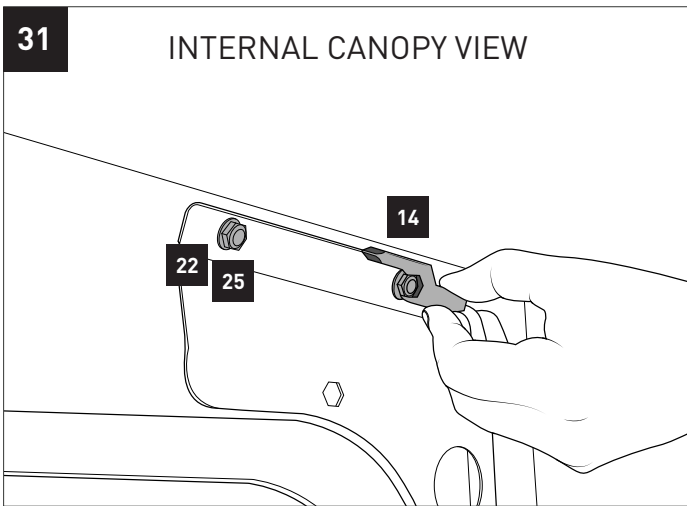
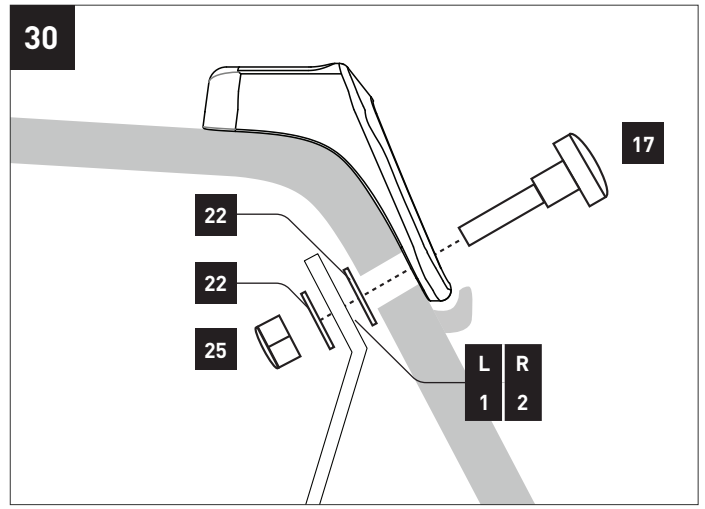
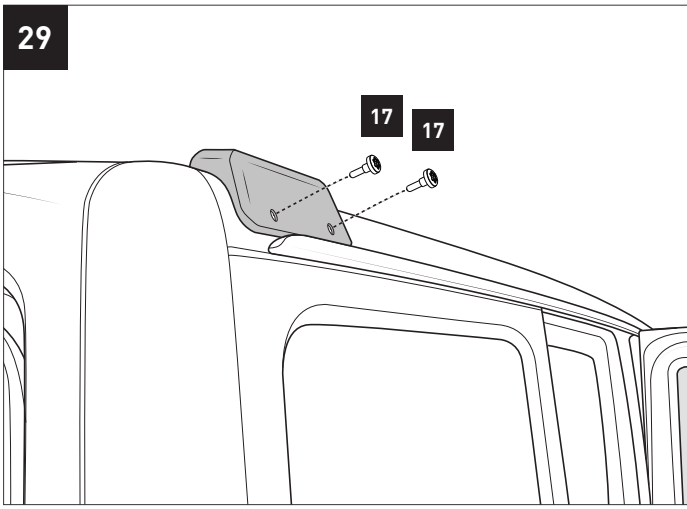


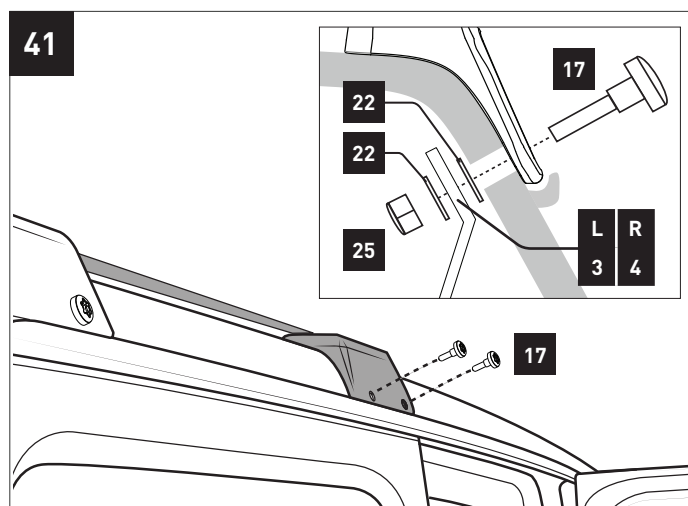
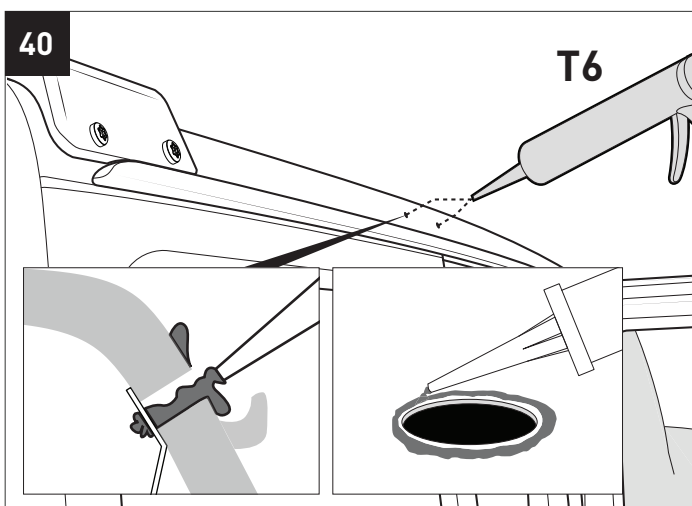
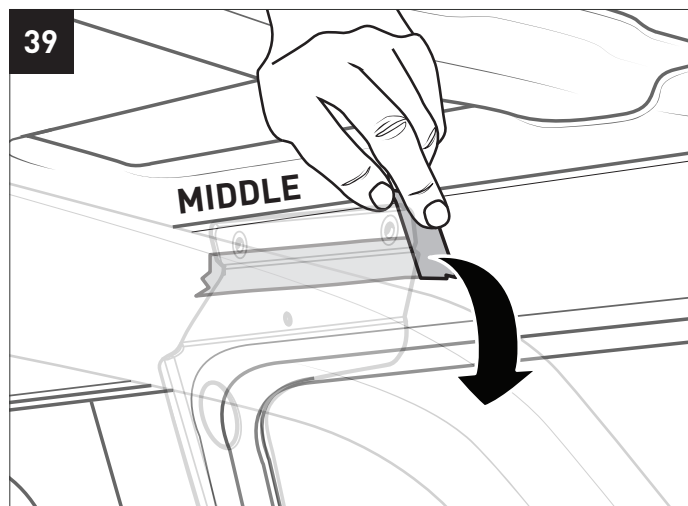
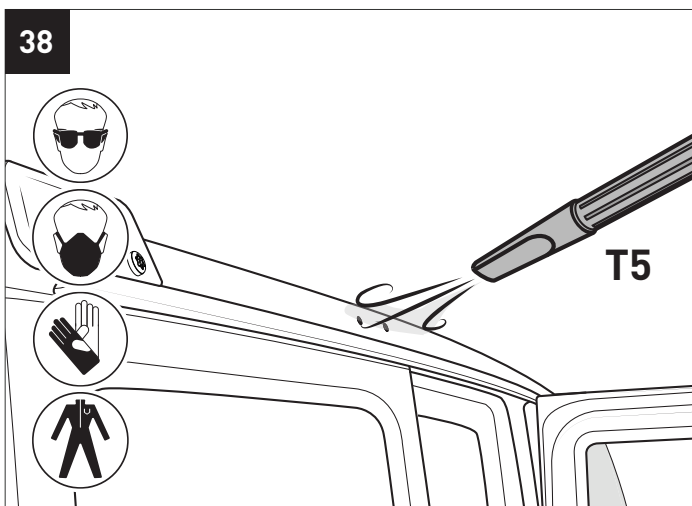
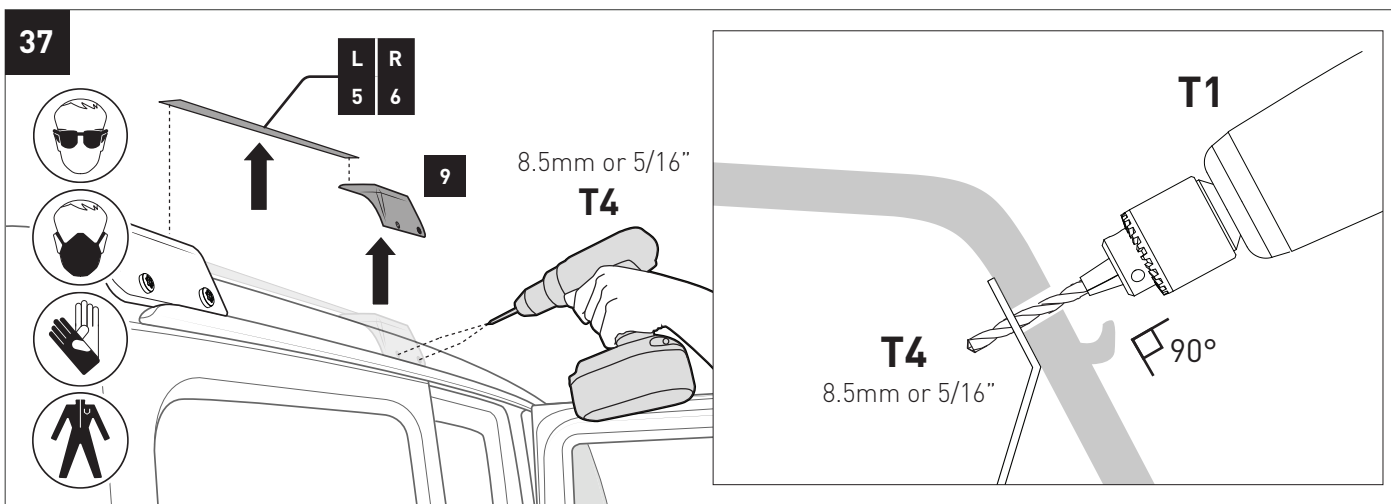
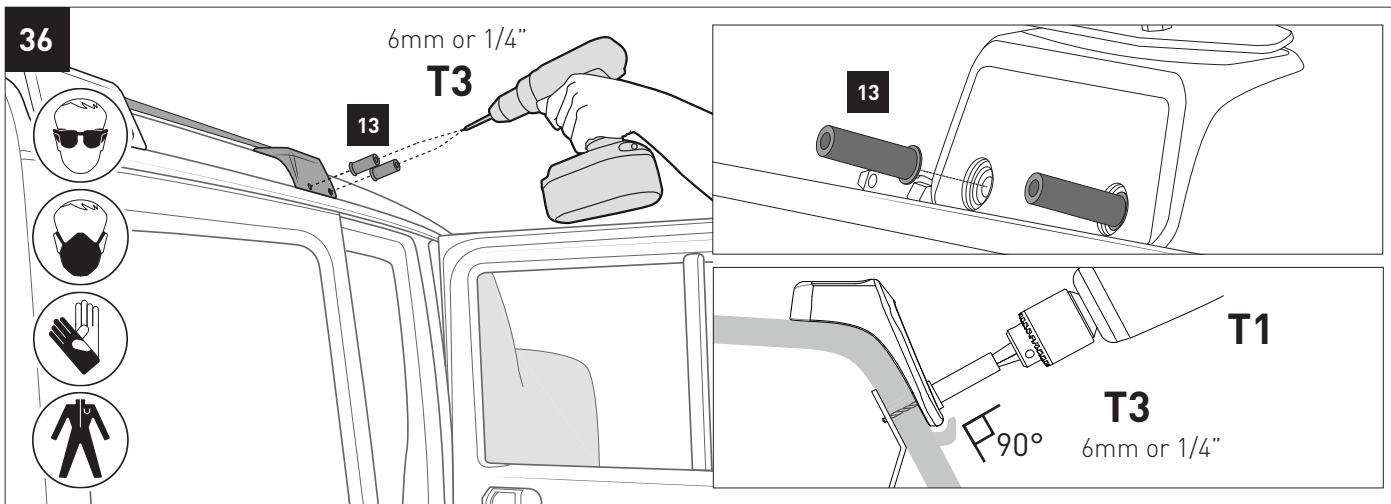
16

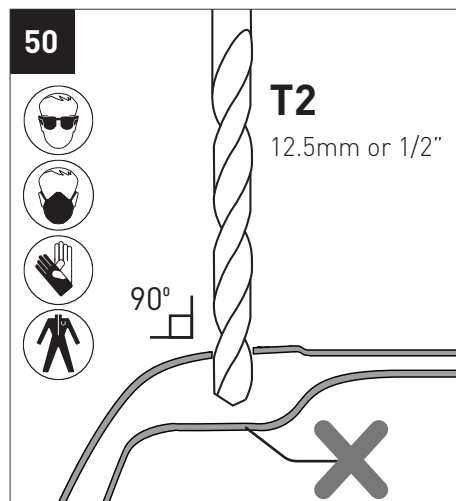
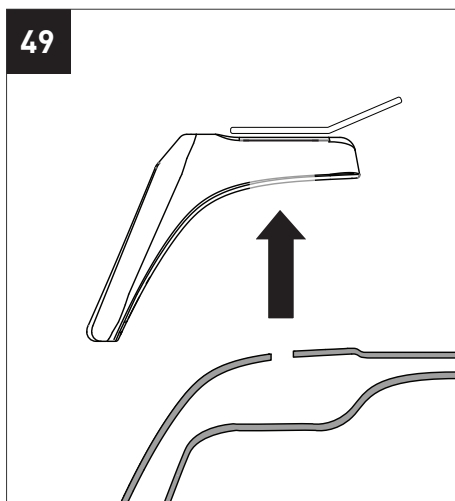
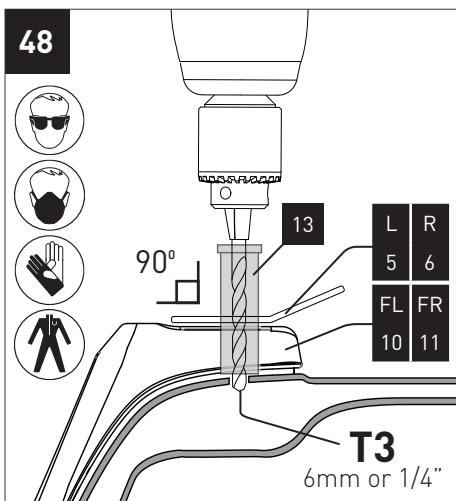
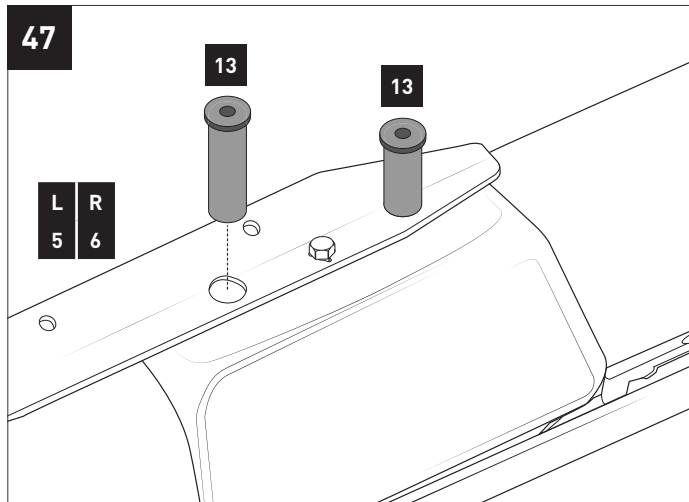
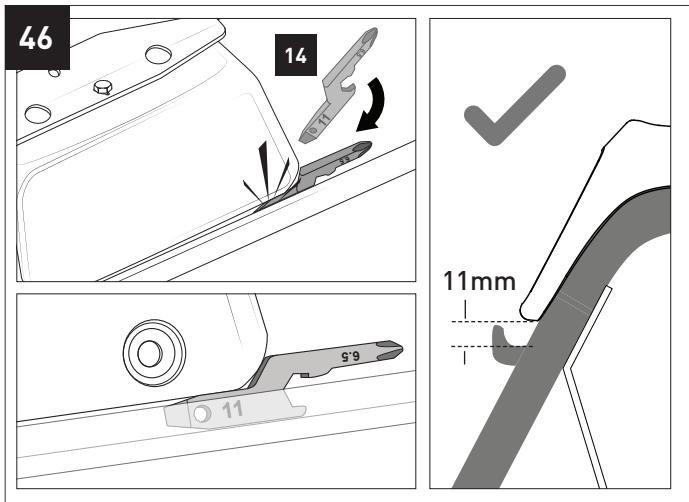
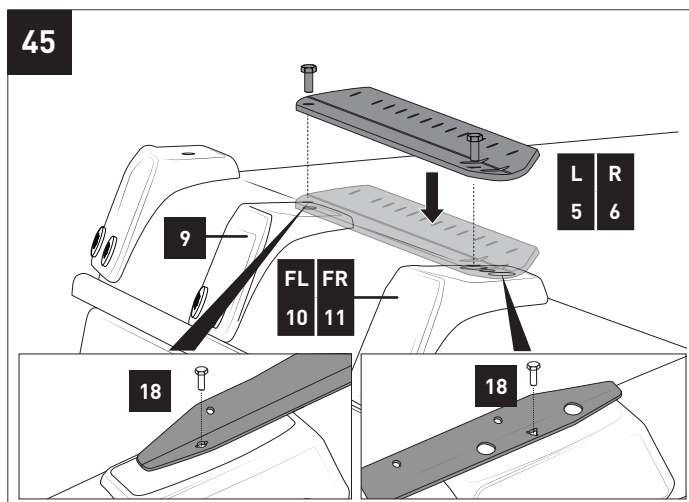
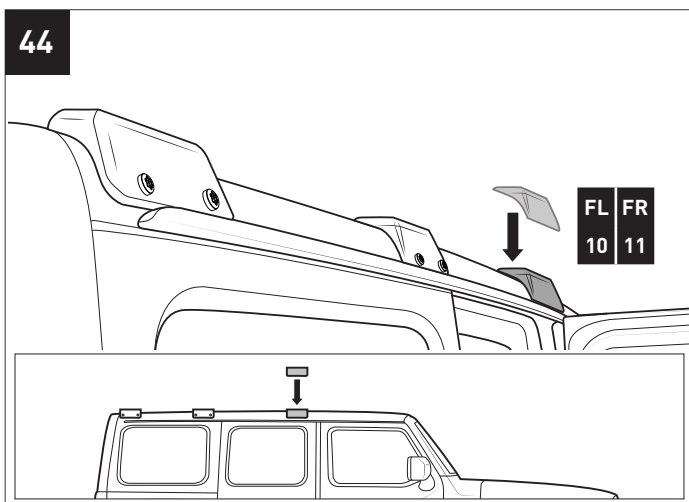
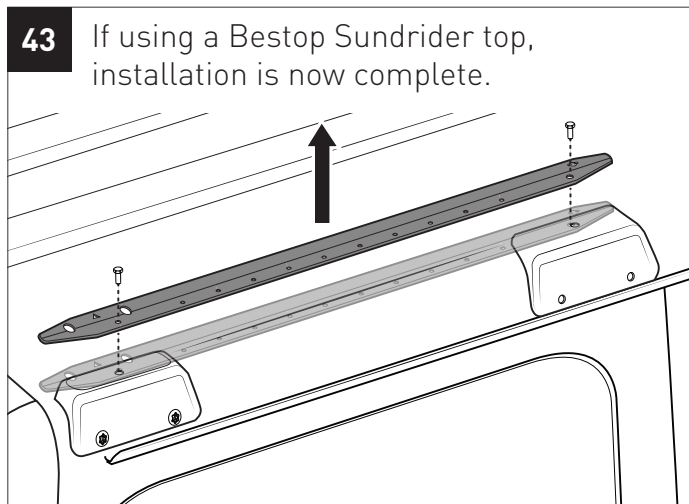
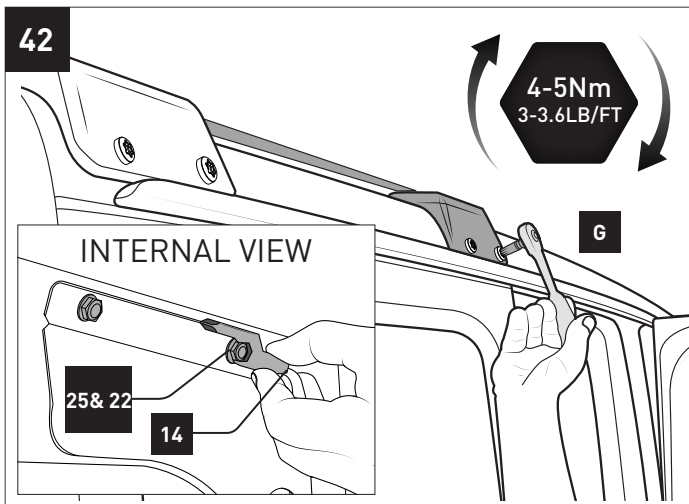


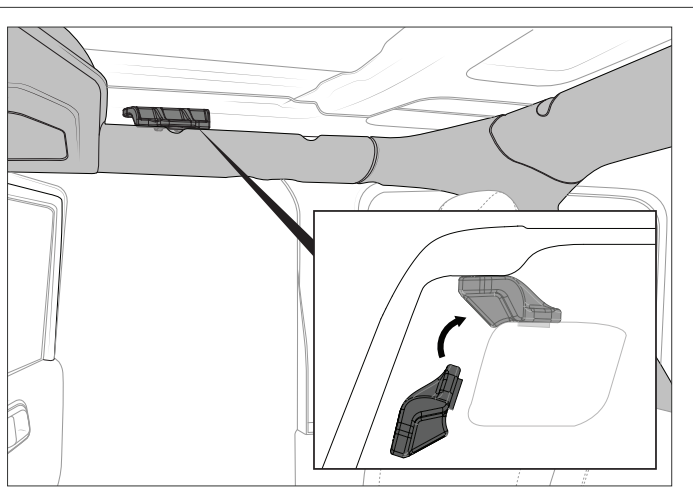
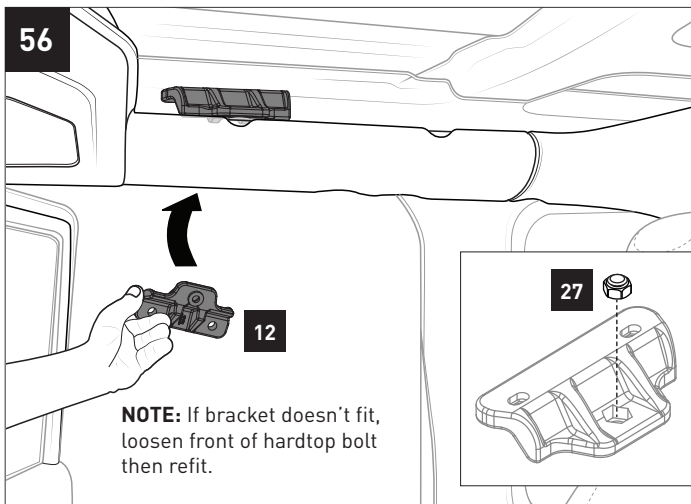
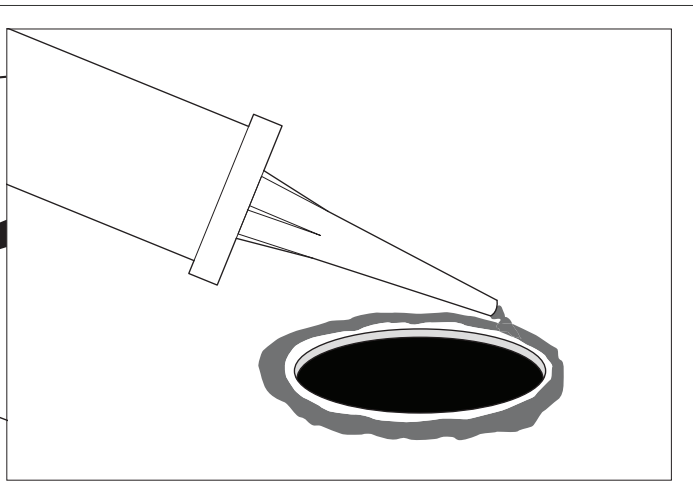
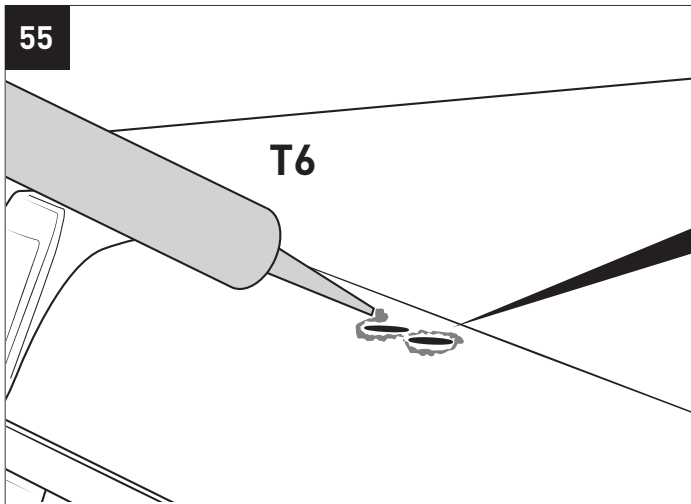
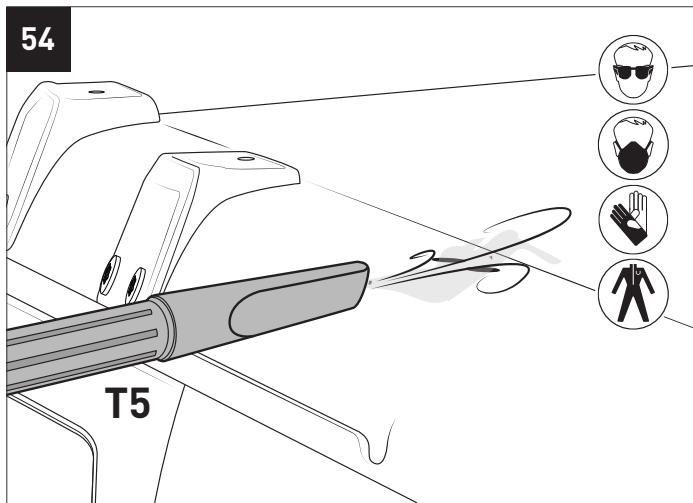
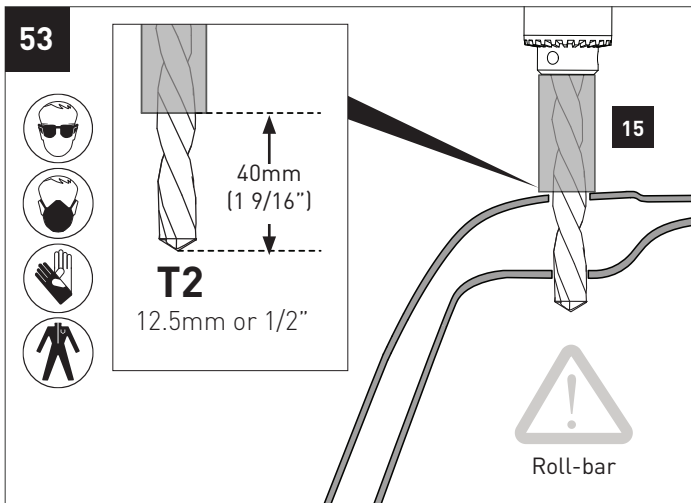
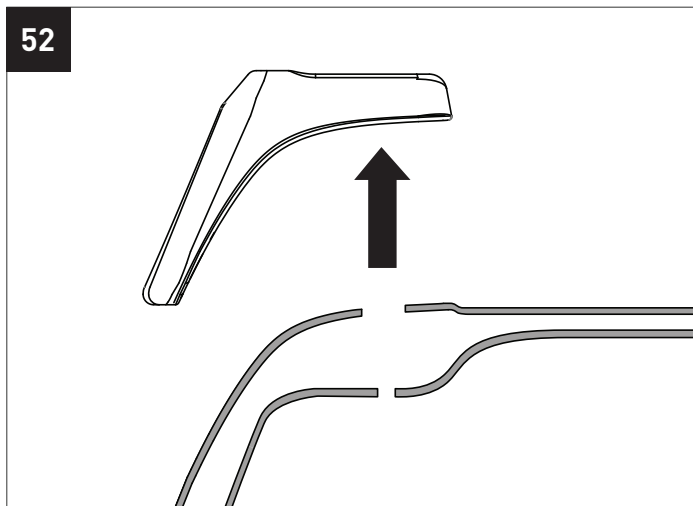
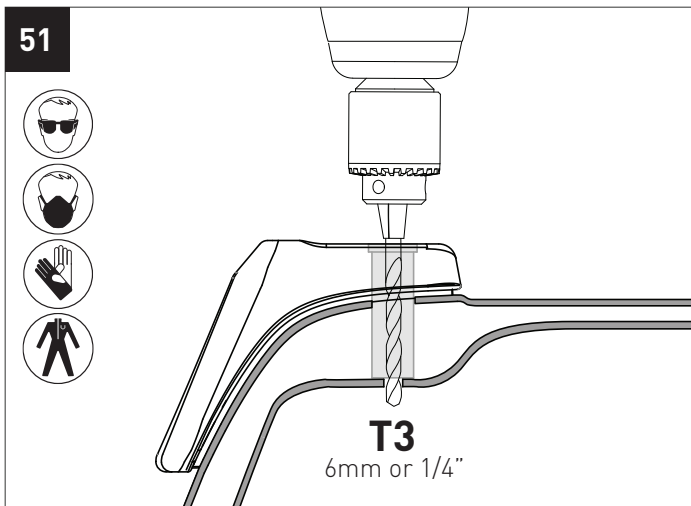


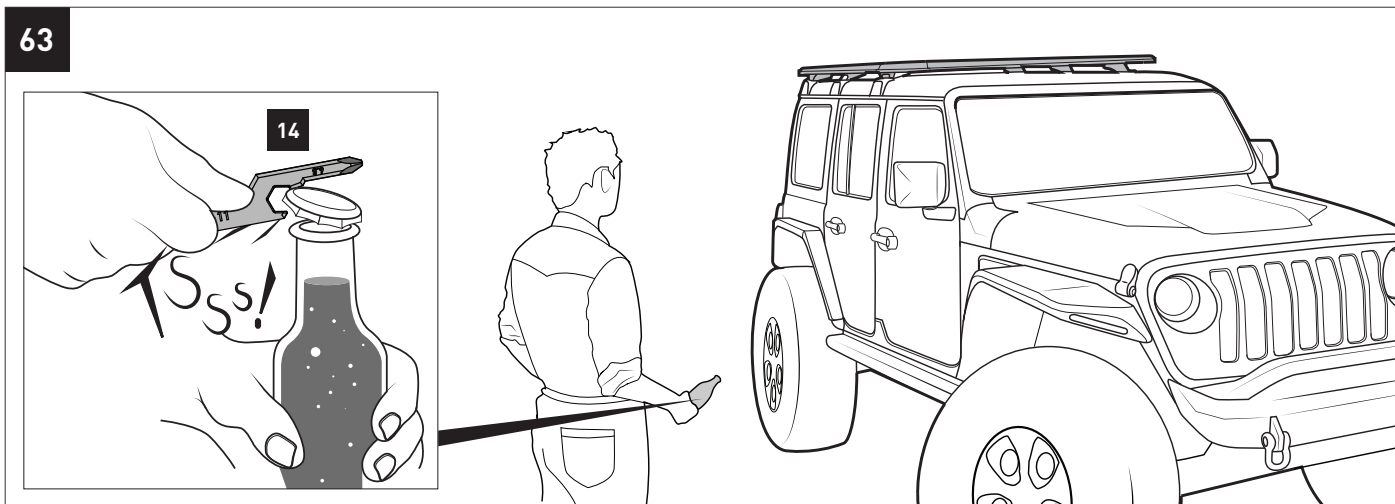
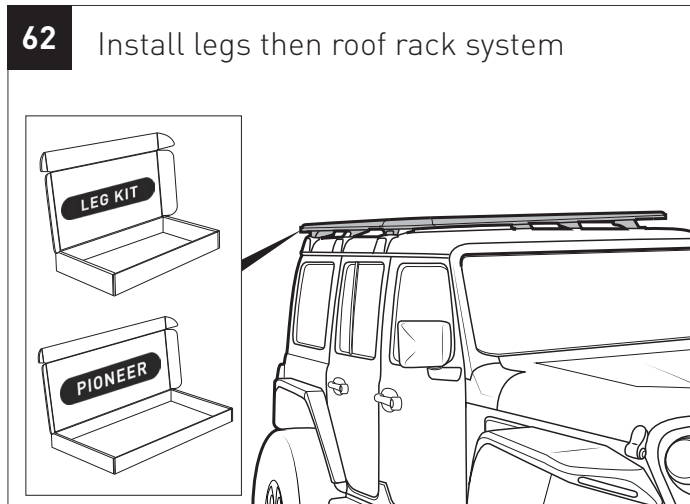
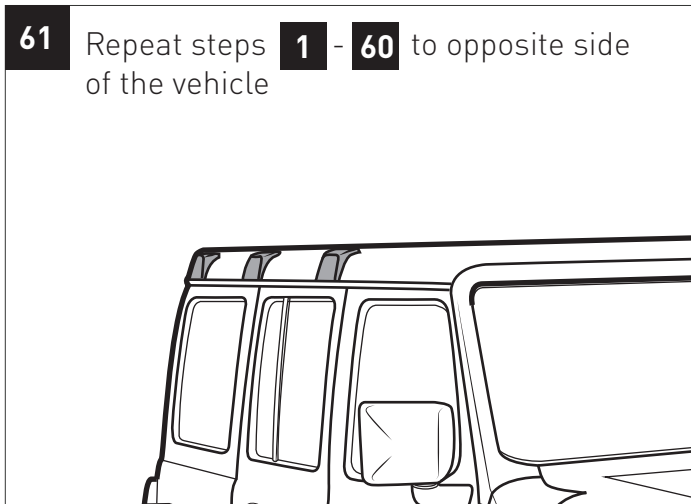
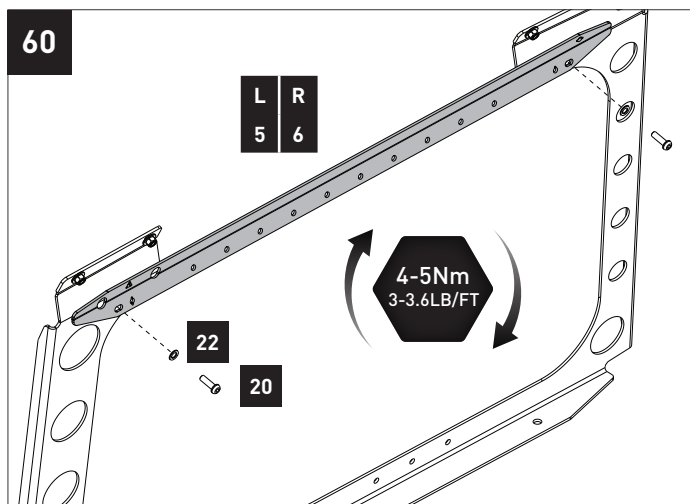
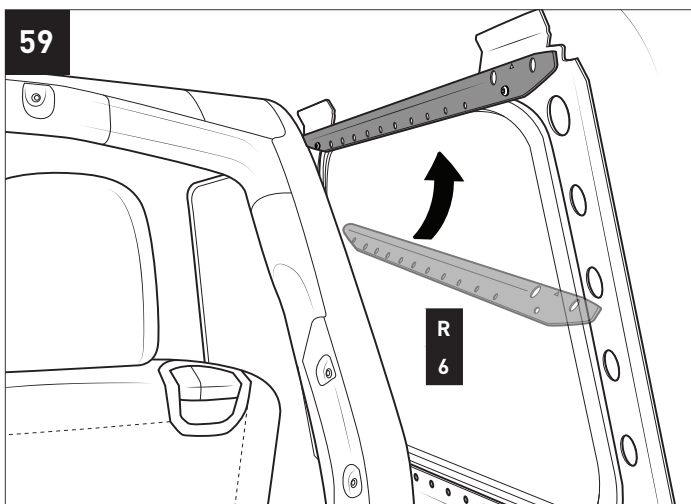
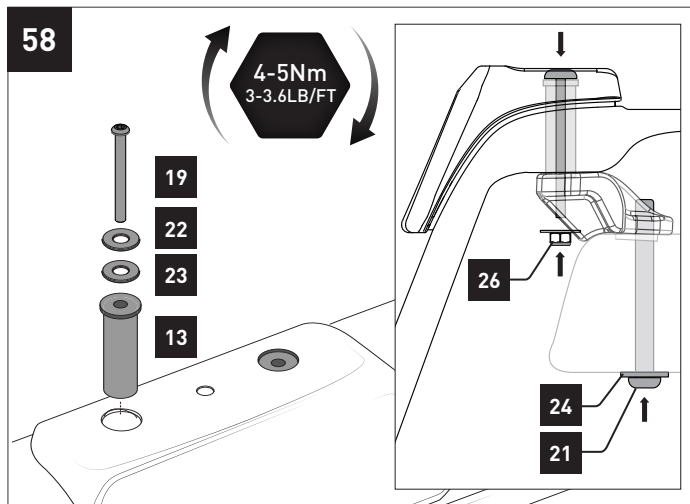
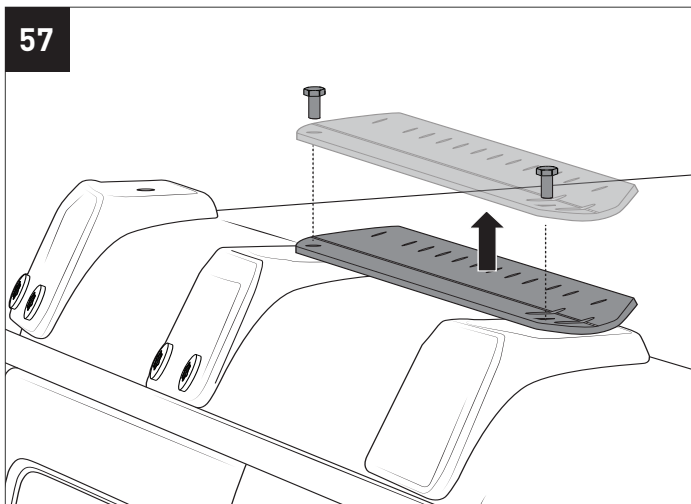






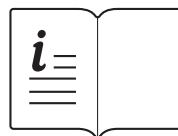






NOTE

Available roof systems for your vehicle and instructions can be found online.



1. Complete **Fit my vehicle** journey
2. Select your **Product Solution**
3. Scroll down to **'Product Details'**

REMOVING CANOPY AFTER BACKBONE FITMENT

