



# RHINO-RACK

## S280, RUBK & MUBK U-bolt kit.

**Important:** Please read these instructions carefully prior to installation.  
 Please refer to your fitting instruction to ensure that the roof racks are installed in the correct locations.  
 Check the contents of kit before commencing fitment and report any discrepancies.  
 Place these instructions in the vehicle's glove box after installation is complete.

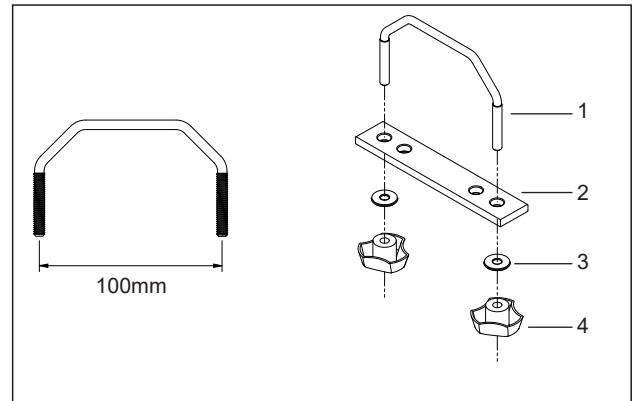
For roof rack systems which are mounted in fixed positions or where the standard supplied U-bolt kit is not utilised, the base of the transport box may be re-drilled in alternative locations to provide correct mounting points which match the profile or distance between the cross bars.

### U-bolt kits

#### Parts List

#### S280 - Suit Rhino Sportz & Rola Sports Cross Bar.

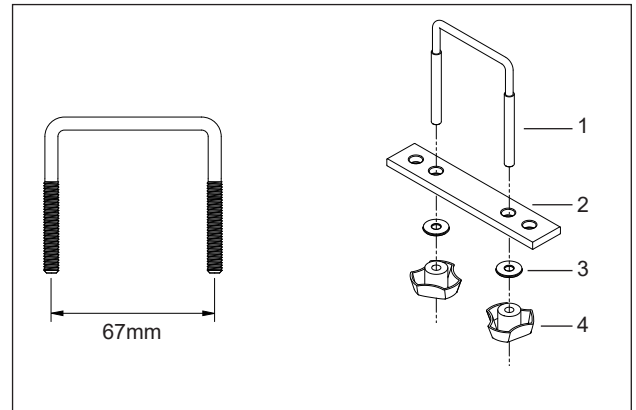
Item	Component Name	Qty.	Part No.
1	M6 x 100mm U-bolt	4	C005
2	130mm x 25mm x 5mm U-bolt plate	4	C008
3	1/4" x 3/4" flat washer	8	W025
4	M6 plastic knob	8	N008
5	Fitting instruction	1	RS31



#### Parts List

#### RUBK - Suit Rhino Heavy Duty & Suparax Cross Bar.

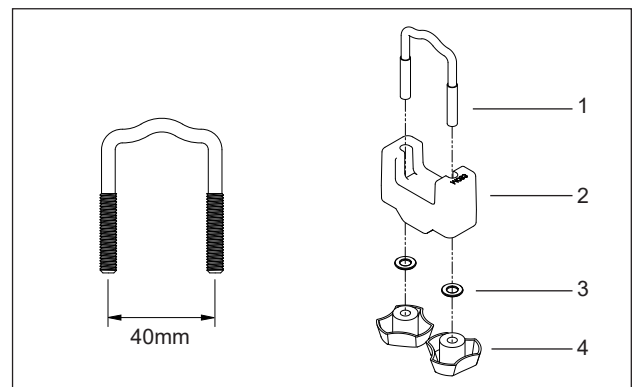
Item	Component Name	Qty.	Part No.
1	M6 x 67mm U-bolt	4	C004
2	130mm x 25mm x 5mm U-bolt plate	4	C008
3	1/4" x 3/4" flat washer	8	W025
4	M6 plastic knob	8	N008
5	Fitting instruction	1	RS31



#### Parts List

#### MUBK - Suit Rhino Euro, Mont Blanc, Carac, Thule & Atera Cross Bar.

Item	Component Name	Qty.	Part No.
1	M6 x 40mm U-bolt	4	C064
2	European bar 'U' adaptor block	4	M083
3	M6 x 16mm flat washer	8	W031
4	M6 plastic knob	8	N008
5	Fitting instruction	1	RS31



#### Note for Dealers and Fitters:

It is your responsibility to ensure these fitting instructions are given to the end user or client

Rhino-Rack, 22 Hanson Pl, Eastern Creek  
 NSW 2766, Australia  
 (02) 8846 1900  
 rhinorack.com.au

Document No: RS-31  
 Issue No: 04  
 Issue Date: 23/07/2020

These instructions remain the property of Rhino-Rack Australia Pty. Ltd. and may not be used or changed for any other purpose than intended.