



Installation Instructions

VI-COWL

Product Number: VC3000/VC3050/VC3800
2016 - 2017 CHEVY 1500/2500/3500

5

SAFETY

Your safety and the safety of others is very important.

- In order to help you make informed decisions about safety, we have provided installation instructions and other information.
- These instructions alert you to potential hazards that could hurt you or others.
- Please do a job safety analysis (JSA) before each task to identify potential hazards for your situation and remove/protect against them.
- You must use your own good judgment, and take your time.

Read and understand all safety precautions and instructions before installing this product.

THIS PRODUCT IS FOR OFFROAD USE ONLY. ALL LIABILITY FOR INSTALLATION AND USE RESTS WITH THE OWNER.

CARELESS INSTALLATION AND OPERATION CAN RESULT IN SERIOUS INJURY OR EQUIPMENT DAMAGE.

Injury hazard

Failure to observe these instructions could lead to severe injury or death.

- Always** remove jewelry and wear eye protection.
- Always** use appropriate and adequate care in lifting components into place.
- Always** insure components will remain secure during installation and operation.
- Always** wear safety glasses when installing this kit
- Always** use extreme caution when cutting and trimming during fitting.
- Always** tighten all nuts and bolts securely per installation instructions.
- Always** perform regular inspections and maintenance on mounts and related hardware.





Installation Instructions

VI-COWL

Product Number: VC3000/VC3050/VC3800
2016 - 2017 CHEVY 1500/2500/3500

Overview

Congratulations on your new purchase of the Fab Fours Vi-Cowl Accessory.

Your Vi-Cowl was designed in 3-D from digitized data, CNC laser cut, fabricated, and powder coated... all in the U.S.A. Enjoy the fit and finish of a Vi-Cowl from Fab Fours, Inc.

WARNING: This product was designed to be used with the 16-17 Chevy 2500 only.

Contents

SAFETY	1
Injury hazard	1
Overview	2
I. Tools Required	3
II. Factory Vehicle Prep.....	3
III. Wiper cowl modification	5
IV. Fab Fours hood hinge installation.....	6
V. Hood Installment.....	8
VI. ViCowl Pre-Assembly	9
VII. ViCowl Installation	11
VIII. Maintenance/Care.....	16
IX. Contact Information	16





Installation Instructions

VI-COWL

Product Number: VC3000/VC3050/VC3800
2016 - 2017 CHEVY 1500/2500/3500

I. Tools Required

- 3/16" Allen Wrench
- Open End Wrench
- Socket Set and Ratchets
- Scissors
- Drill Bit – 1/4"
- Blue Painters Tape
- Knife
- Pick or Small Flat Head Screwdriver

II. Factory Vehicle Prep

- a. Apply Blue tape on each side of the hood and fender. Mark the tape with a straight-line perpendicular with the hood and fender body seam. Use a knife to cut the tape along the same seam.

Note: Step one is recommended to assist you in realignment of the hood during reassembly.

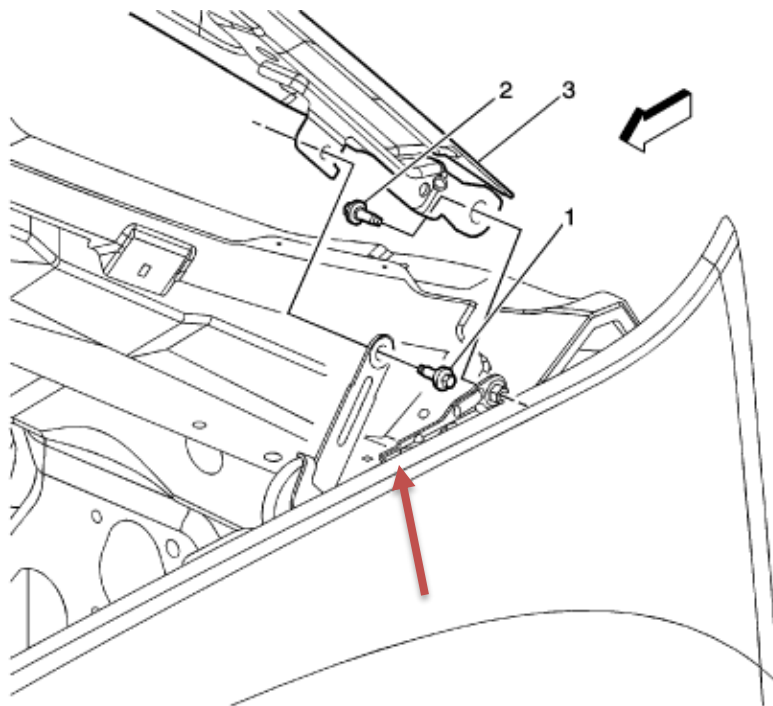


Fig 1





Installation Instructions

VI-COWL

Product Number: VC3000/VC3050/VC3800

2016 - 2017 CHEVY 1500/2500/3500

- b. Loosen the four bolts that secure the hood to the upper hood hinge bracket, so they can be removed by hand.
- c. Disconnect any electrical connections if your vehicle is equipped.
- d. With a friend on the other side, support the hood and fully remove the hood bolts and remove the hood.
- e. Remove and save bolts labeled (1&2) from **Fig 1**.
- f. Remove the front bolt on fender indicated at red arrow from **Fig 1 and 2**.
- g. Set the OEM hood hinge bracket aside, it won't be used again.

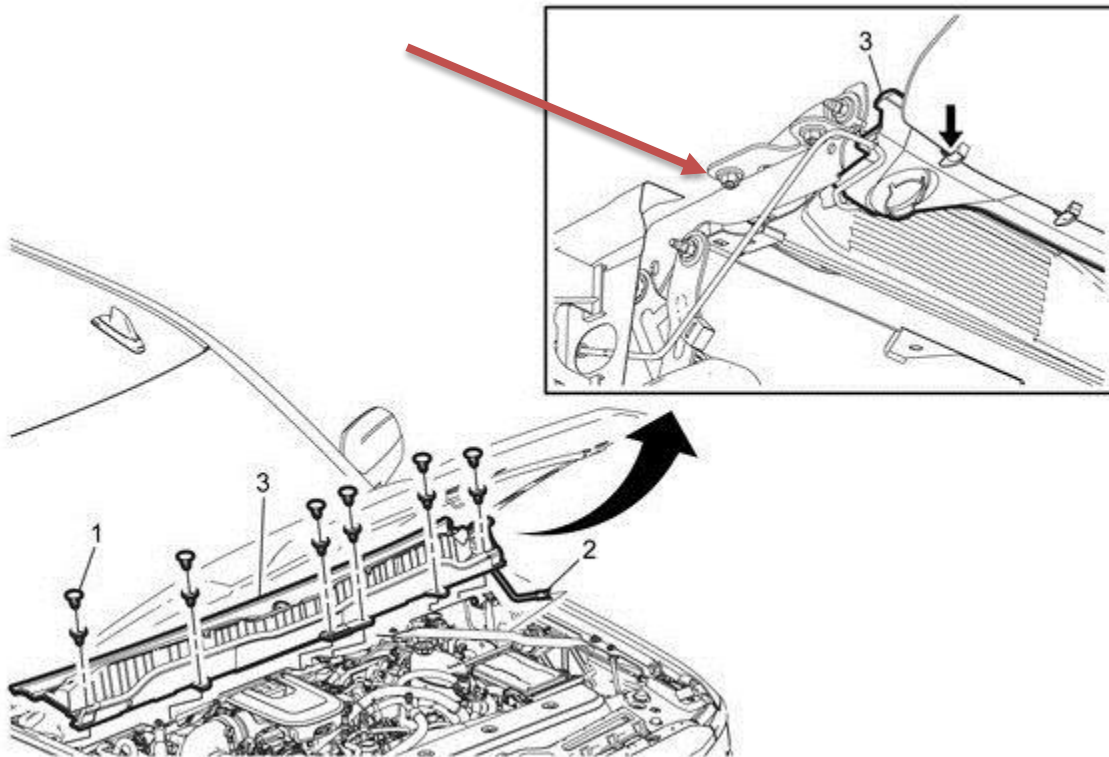


Fig 2.

- h. Remove the 6 plastic retainers labeled (1) in **Fig 2**.
- i. Remove the wiper arms.
- j. Disconnect the wiper fluid supply line from the wiper cowl labeled (2) in **Fig 2**.
- k. Unclip the wiper cowl from the windshield by sliding the cowl down along the windshield until its loose from the glass.
- l. Remove the cowl and set aside for trimming.





Installation Instructions

VI-COWL

Product Number: VC3000/VC3050/VC3800

2016 - 2017 CHEVY 1500/2500/3500

III. Wiper cowl modification

- a. Both ends of the cowl need to be trimmed so that the ViCowl brackets clear the cowl in the down position.

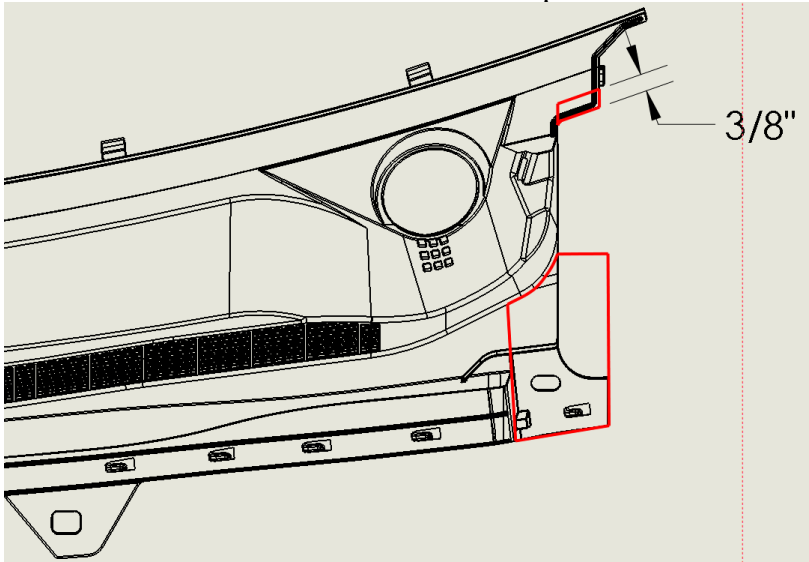


Fig 3

- b. Trim off the areas indicated with the red squares in Fig 3 on the driver side of the cowl

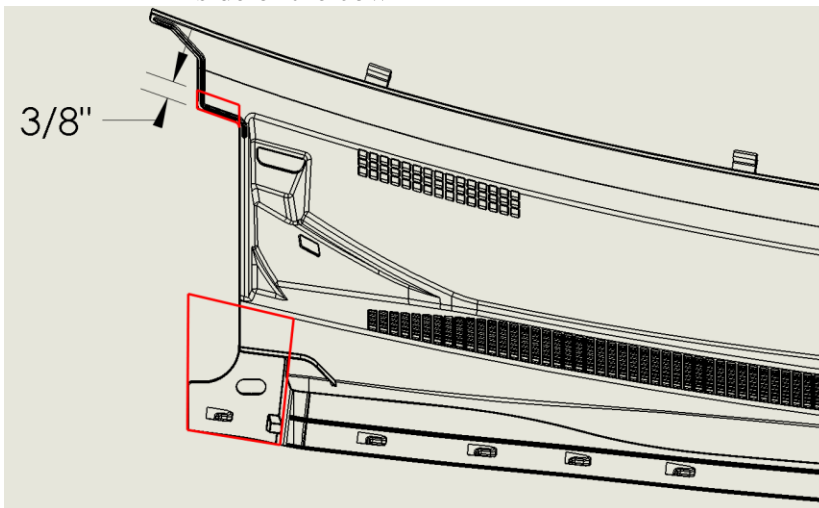


Fig 4

- c. Trim off the areas indicated with the red squares in Fig 4 on the passenger side of the cowl.

Note: some minor additional trimming may be needed in areas marked to cut.





Installation Instructions

VI-COWL

Product Number: VC3000/VC3050/VC3800

2016 - 2017 CHEVY 1500/2500/3500

IV. Fab Fours hood hinge installation

Note: Both driver side and passenger side brackets install the same way.

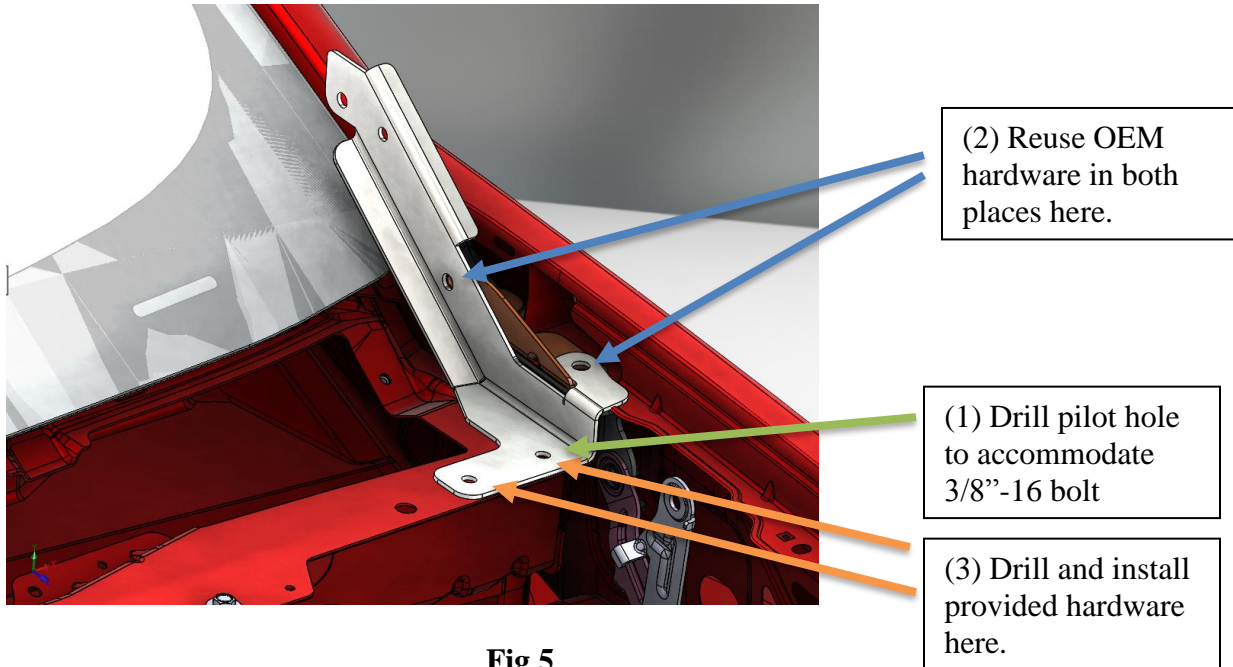


Fig 5

- Drill hole to 3/8" using factory hole as drill pilot as shown in **Fig 5** item (1).
- Position the driver side bracket as pictured in **Fig 5**.
- Loosely install the two factory bolts as shown in **Fig 5** item (2).
- Install the outer 3/8"-16 zinc bolt, washer, and Nylock nut in the hole that was drilled out as indicated in **Fig 5** item (1).
- Fully tighten down the two factory bolts followed by the 3/8"-16 bolt.
- Mark and remove bracket or just drill out the remaining hole indicated in **Fig 5** item (3).
- Repeat the same procedure for the passenger side bracket.





Installation Instructions

VI-COWL

Product Number: VC3000/VC3050/VC3800

2016 - 2017 CHEVY 1500/2500/3500

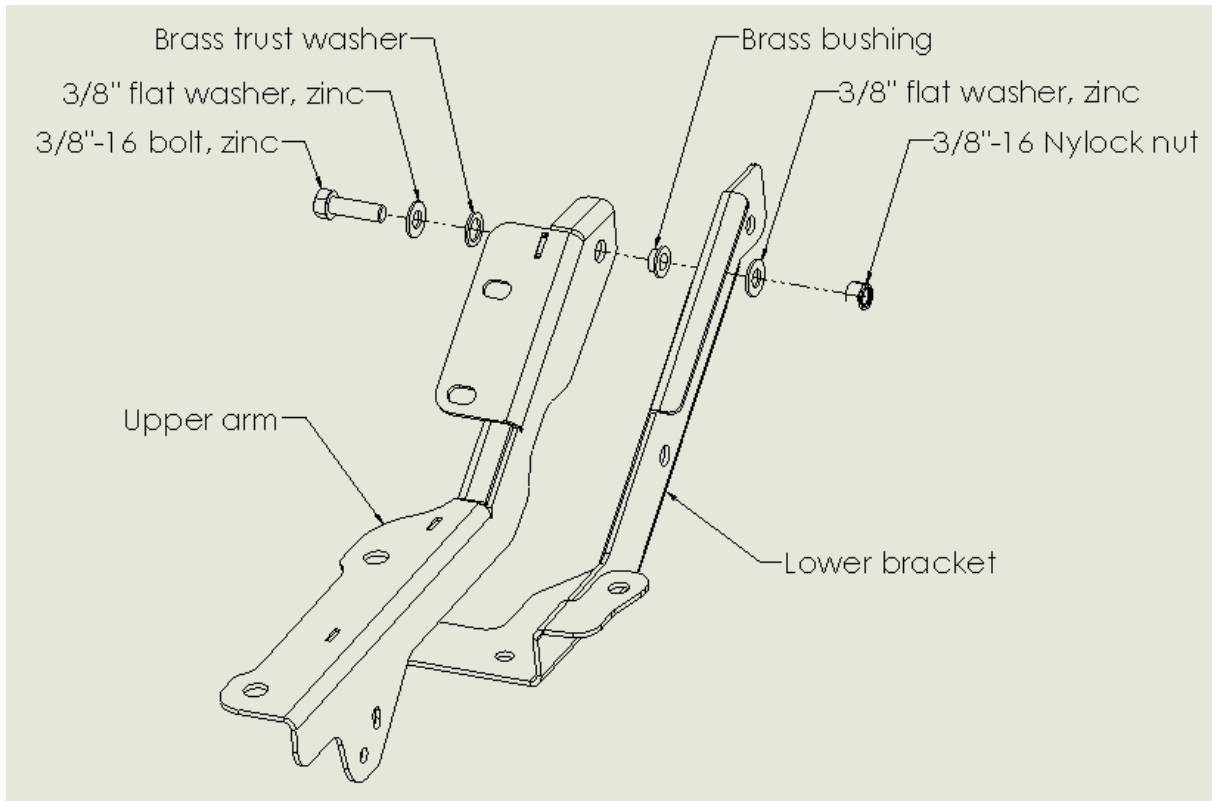


Fig 6

- h. Press install the brass bushing into the upper hole in the Upper arm as shown in **Fig 6**.
- i. Insert the 3/8"-16 bolt with washer and thrust washer into the brass bushing as shown in **Fig 6** forming the upper arm sub assembly.
- j. Insert the upper arm sub assembly into the lower bracket hole with washer and 3/8"-16 Nylock nut.
- k. Holding the upper arm and bolt stack tight to the lower bracket, tighten the Nylock nut being careful that the thrust washer doesn't pop out from the brass bushing.





Installation Instructions

VI-COWL

Product Number: VC3000/VC3050/VC3800

2016 - 2017 CHEVY 1500/2500/3500

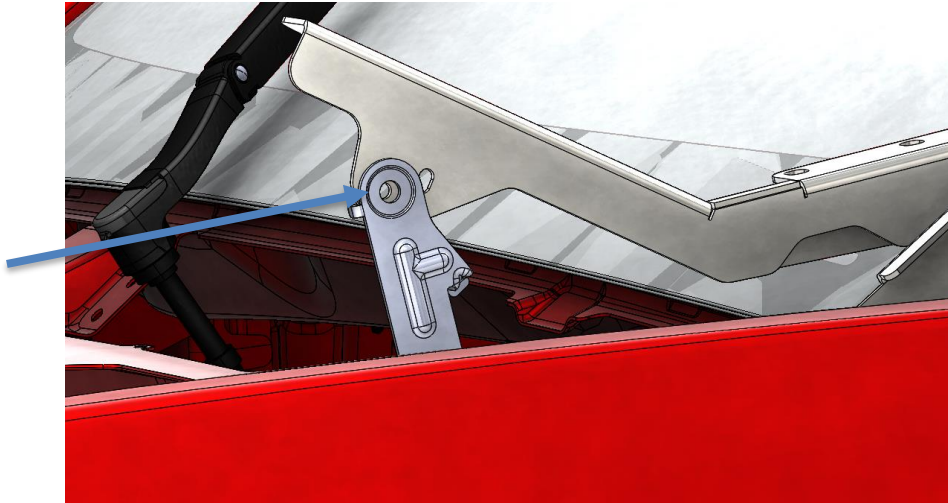


Fig 7

1. Bolt the hood spring assist arm to the Upper arm of the hood hinge using the factory bolt and included stainless steel flat washer and M8 Nylock nut as shown in **Fig 7**.

Note: Be careful not to use the 5/16"-18 Nylock nut here. The 5/16"-18 and M8 nuts are similar in size and appearance. A good practice here would be to match up all the 5/16"-18 Nylock nuts with the 5/16"-18 Stainless steel button head bolts and rubber bonded washers that will be used in the visor assembly later in the installation.

V.Hood Installment

- a. With a friend, lift the hood onto the upper arm of the hood bracket and install the four factory bolts hand tight.
- b. Align the upper arm with the missing paint marks made under the hood from the factory brackets. This will get you close as the Fab Four brackets have identical profile.
- c. Lower the hood slowly and check for uniform hood gap.
- d. Adjust as needed.
- e. Fully tighten down the four factory bolts.

Note: be mindful of how high you raise the hood while making adjustments to alignment. It is possible that the hood will shift without your knowledge if hood is raised too high. It may be easier if the hood spring assist isn't attached until after alignment is completed.





Installation Instructions

VI-COWL

Product Number: VC3000/VC3050/VC3800

2016 - 2017 CHEVY 1500/2500/3500

VI.ViCowl Pre-Assembly

Note: It's highly recommended that all projection weld nuts are chased with the appropriate taps to clean out any powder coat or foreign debris prior to assembly. Tap sizes needed to do this are $\frac{1}{2}$ "-13, and $\frac{3}{8}$ "-16

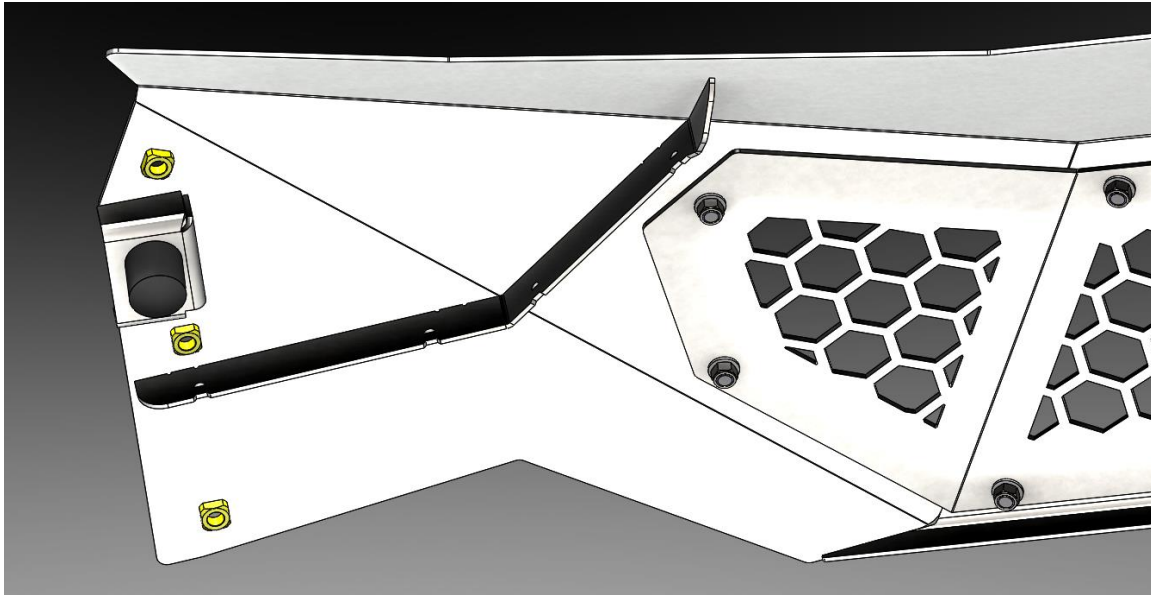


Fig 8

- Install and hand tighten the rubber bumpers and $\frac{1}{2}$ " flat washers to the visor as shown in **Fig 8**.
- Install loosely the Visor trim (or light insert if purchased) into the back of the visor using the provided $\frac{5}{16}$ "-18 stainless steel bolts, rubber bonded washer, flat washer, and $\frac{5}{16}$ "-18 Nylock nut.

Note: The rubber bonded washer is used on the outside surface of the visor to reduce any powder coat wear marks what would otherwise be created using regular flat washers and visible if bolts are moved due to reassembly of visor with light insert.

- Fully tighten all visor trim hardware





Installation Instructions

VI-COWL

Product Number: VC3000/VC3050/VC3800
2016 - 2017 CHEVY 1500/2500/3500

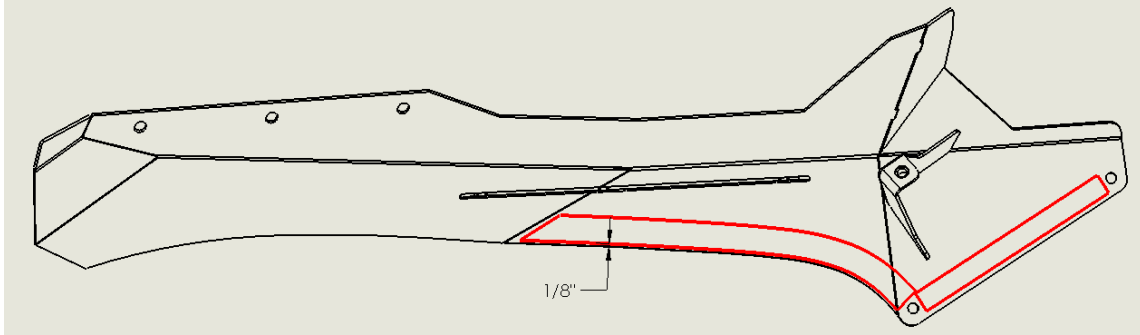


Fig 9

- d. Install the 1" neoprene rubber strip to the inside of both arms as shown in **Fig 9** highlighted in red.

Note: leave about a $\frac{1}{8}$ " reveal on the edge of the arms. This will ensure the rubber strip doesn't shift or show after installation.

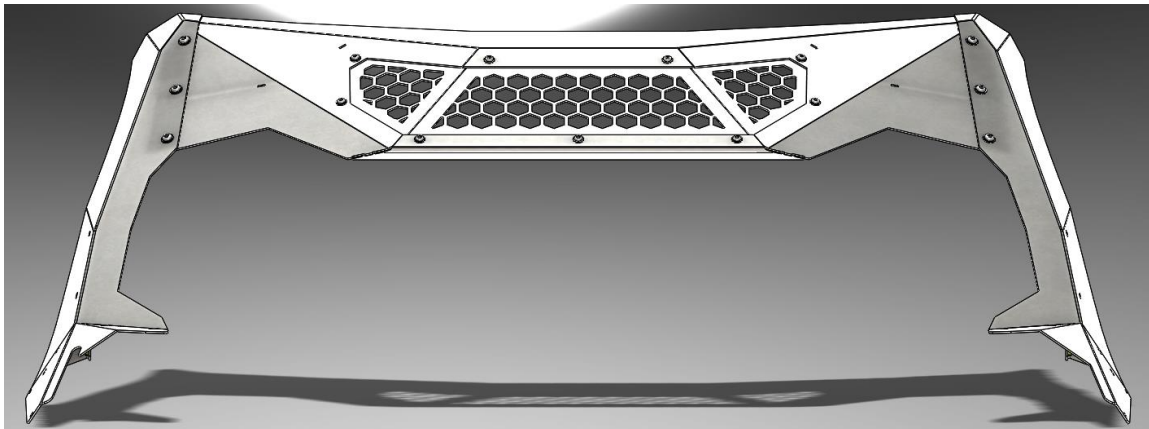


Fig 10

- e. Loosely install both ViCowl arms to the visor using the provided $\frac{3}{8}$ "-16 stainless steel bolts and rubber bonded washers as shown in **Fig 10**.





Installation Instructions

VI-COWL

Product Number: VC3000/VC3050/VC3800
2016 - 2017 CHEVY 1500/2500/3500

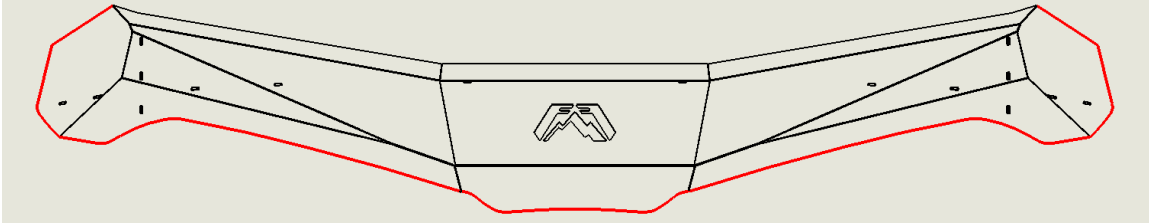


Fig 11

- f. Install the edge seal with adhesive onto the leading edge of the cowl as shown in Fig 11 by the highlighted red line.

Note: don't stretch the seal as you apply it to the Cowl. This will ensure it doesn't pull away from the sheet metal later.

- g. Trim the edge seal for fit and finish
- h. The ViCowl is now prepped for install.

VII.ViCowl Installation

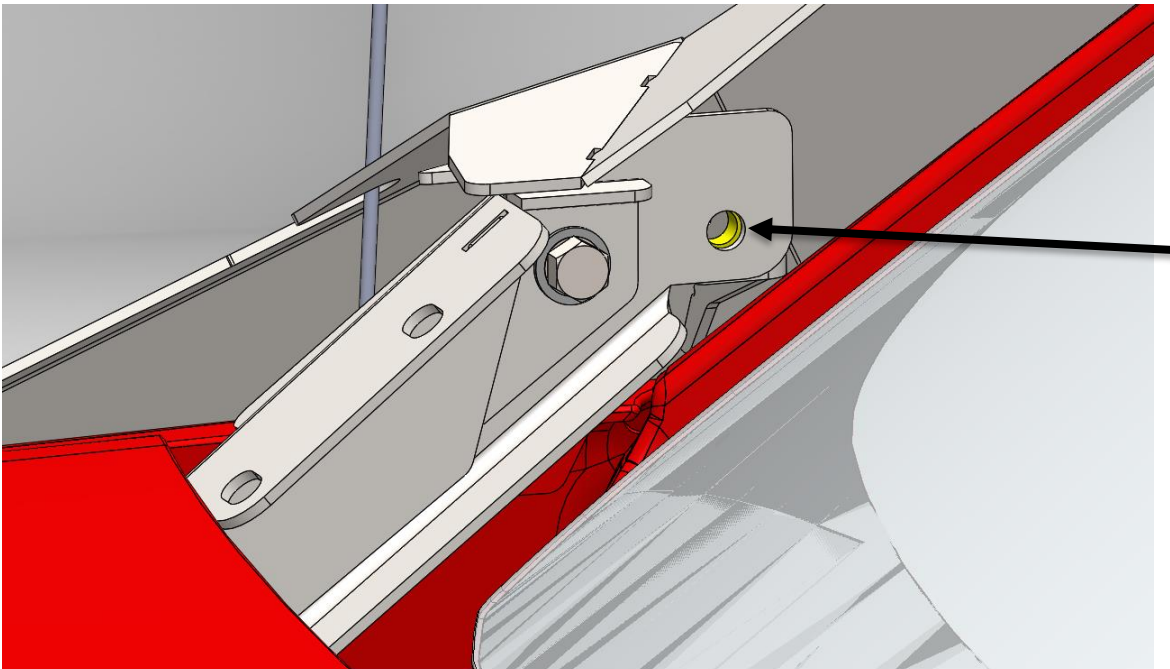


Fig 12





Installation Instructions

VI-COWL

Product Number: VC3000/VC3050/VC3800

2016 - 2017 CHEVY 1500/2500/3500

- a. With a friend on the other arm, lift the upper ViCowl assembly up over the hood and behind the radio antenna and slowly lower the arms into position. The arm mounting bracket rest to the outside of the lower hinge and lined up with the rear bolt hole as shown in **Fig 12**.
- b. Loosely install the $\frac{3}{8}$ "-16 hex bolt, zinc lock washer, and zinc flat washer through the lower hinge bracket and into the arm securing the ViCowl from falling lower on the vehicle as indicated in Fig 12 with the black arrow.
- c. Check for fit and fully tighten down both arms to the hinge brackets.

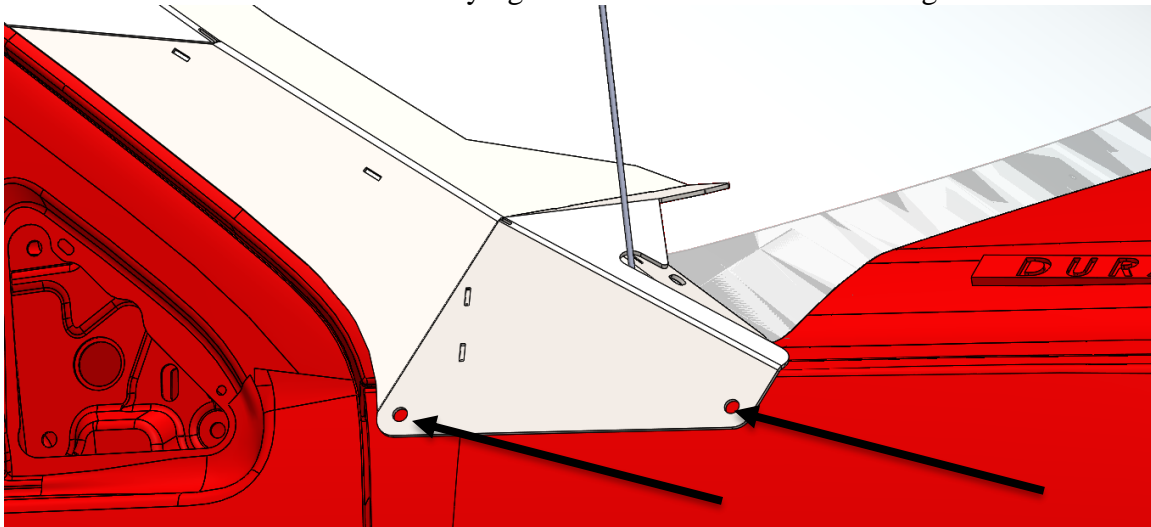


Fig 13

- d. Mark the two Rivnut hole locations as indicated in **Fig 13** by the black arrows and on both driver and passenger arms.

Note: A high degree of accuracy is needed when marking the Rivnut locations. The four Rivnuts constitute a majority percentage of the mounting strength of the upper ViCowl to the vehicle. A hole center punch is recommended followed by incremental pilot holes to the finish hole size of the included 17/32" drill bit. You will have trouble lining up all three bolt holes per side if Rivnuts are misplaced.

- e. Remove the upper ViCowl assembly in preparation to drill and install four Rivnuts in the fenders.
- f. Use the 1/8" Drill bit to drill pilot holes in all of the marked locations. Be careful to drill directly perpendicular to the side of the Jeep. Be sure to drill the holes to a depth of 7/8". In some instances this will require drilling through multiple layers of sheet metal.
- g. Step up to the 1/4" Drill
- h. Final drill out the holes with the 17/32". If available, a sheet metal Uni-Bit or step drill bit can be used after the 1/4" Bit.





Installation Instructions

VI-COWL

Product Number: VC3000/VC3050/VC3800

2016 - 2017 CHEVY 1500/2500/3500

- i. With the expendable tool threaded into the nutsert, insert it into one of the holes making sure that it fits in far enough to flush the collar of the nutsert to rocker panel. (For an exceptional installation coat the knurls of the Nutsert with Loc-tite.)
- j. Place the 9/16" Box end wrench on the body of the expendable tool and the 9/16" socket and ratchet on the bolt head on the back side of the tool. See image below.



Fig 14

- k. Tighten the bolt into the nutsert until it becomes snug in the rocker panel. **DO NOT OVERTIGHTEN CAUSING THE INSERT TO SPIN!**
- l. Repeat steps "f-k" on the remaining holes.
- m. Reinstall the upper ViCowl using steps "a-b"
- n. Install the 3/8"-16 stainless steel button head bolts, rubber bonded washers, and blue Locktight.
- o. Fully tighten down all hardware securing the upper ViCowl arms to the hood hinge brackets.





Installation Instructions

VI-COWL

Product Number: VC3000/VC3050/VC3800

2016 - 2017 CHEVY 1500/2500/3500

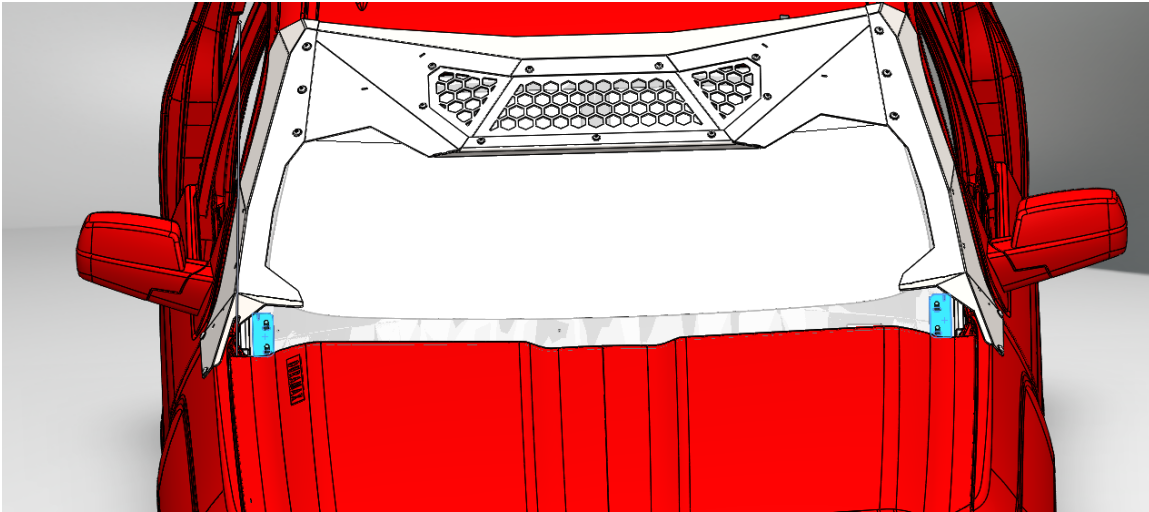


Fig 15

- p. With the help of a friend, lift the ViCowl cowl up over the hood and slowly lower it down on the mounting surface as shown in **Fig 15** highlighted in blue.

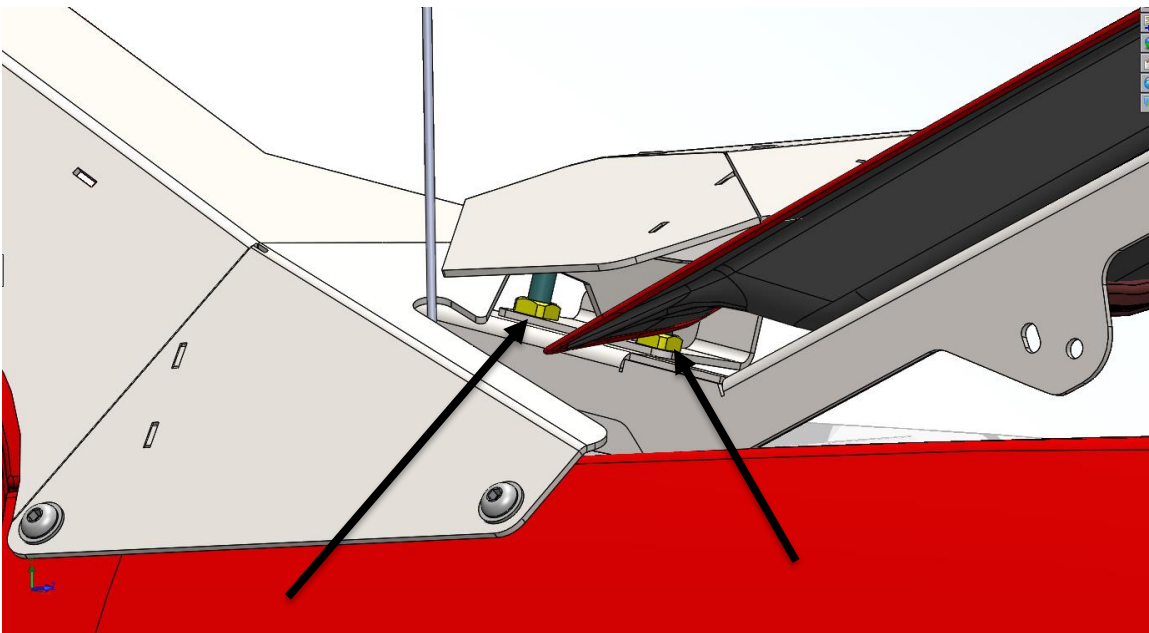


Fig 16

- q. Raise the hood slowly and hand tighten the four $\frac{3}{8}$ "-16 hex head bolts, zinc lock washers, and zinc flat washers securing the Cowl to the hood hinge brackets as shown in **Fig 16** with the black arrows.





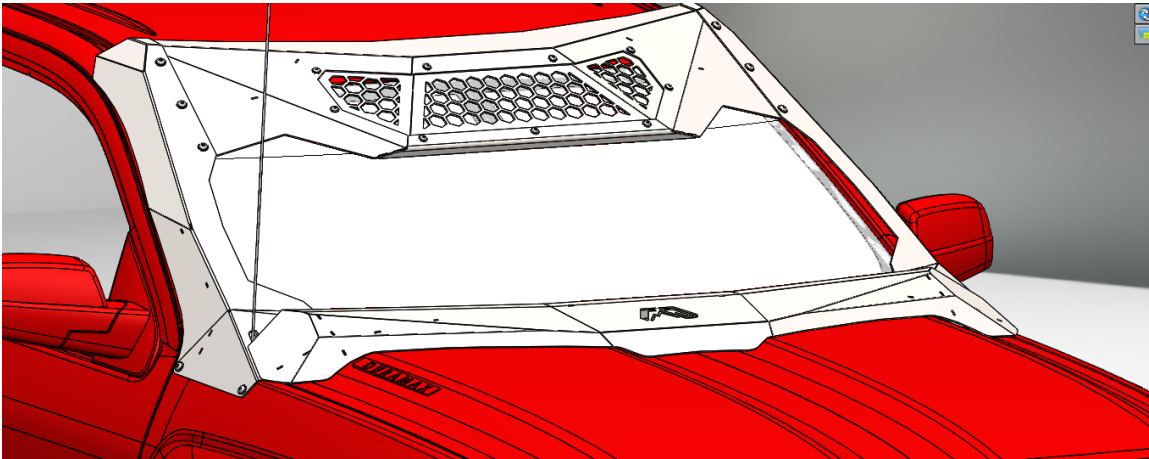
Installation Instructions

VI-COWL

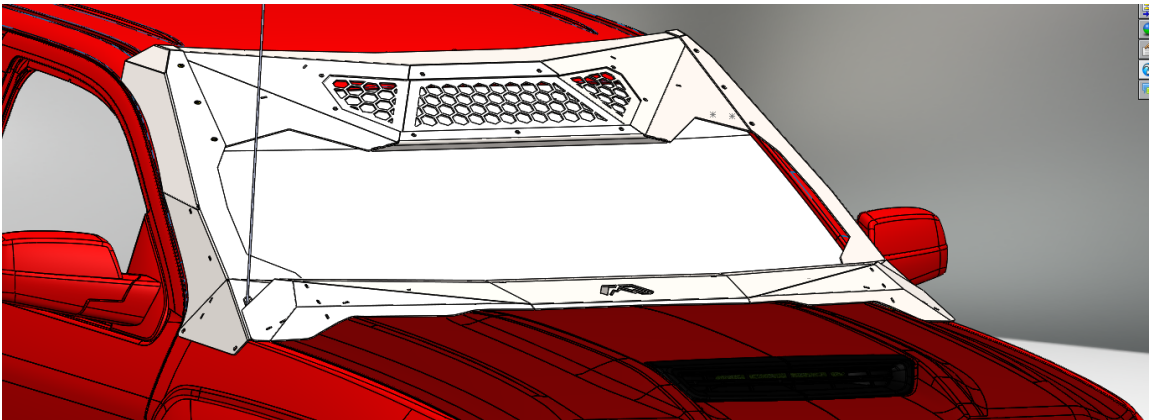
Product Number: VC3000/VC3050/VC3800

2016 - 2017 CHEVY 1500/2500/3500

- r. Lower the hood and check for centering and adjust if necessary.
- s. Raise the hood and tighten the rear bolt on both sides first and then the front bolt. The bolt sequence will aid in closing any hood profile gaps that may be visible.



VC3050 hood cowl



VC3000 hood cowl

