



Installation Instructions

Rear Bumper

Product Number: W1250

Application: '99-06 GM Heavy Duty

SAFETY

Your safety and the safety of others is very important.

- In order to help you make informed decisions about safety, we have provided installation instructions and other information.
- These instructions alert you to potential hazards that could hurt you or others.
- Please do a job safety analysis (JSA) before each task to identify potential hazards for your situation and remove/protect against them.
- You must use your own good judgment, and take your time.

Read and understand all safety precautions and instructions before installing this product.

THIS PRODUCT IS FOR OFFROAD USE ONLY. ALL LIABILITY FOR INSTALLATION AND USE RESTS WITH THE OWNER.

CARELESS INSTALLATION AND OPERATION CAN RESULT IN SERIOUS INJURY OR EQUIPMENT DAMAGE.

Injury hazard

Failure to observe these instructions could lead to severe injury or death.

- Always** remove jewelry and wear eye protection.
- Always** use extreme caution when jacking up a vehicle for work. Set emergency brake and use tire blocks. Locate and use the vehicle manufacturers designated lifting points. Use jack stands.
- Always** use appropriate and adequate care in lifting components into place.
- Always** insure components will remain secure during installation and operation.
- Always** wear safety glasses when installing this kit. A drilling operation will cause flying metal chips. Flying chips can cause serious eye injury.
- Always** use extreme caution when drilling on a vehicle. Thoroughly inspect the area to be drilled (on both sides of material) prior to drilling, and relocate any objects that may be damaged.
- Always** use extreme caution when cutting and trimming during fitting.
- Always** tighten all nuts and bolts securely per installation instructions.
- Always** route electrical cables carefully. Avoid moving parts, components that become hot and rough or sharp edges.
- Always** insulate and protect all exposed wiring and electrical terminals.
- Always** perform regular inspections and maintenance on mounts and related hardware.



W1250 Rev. 11072014



Installation Instructions

Rear Bumper

Product Number: W1250

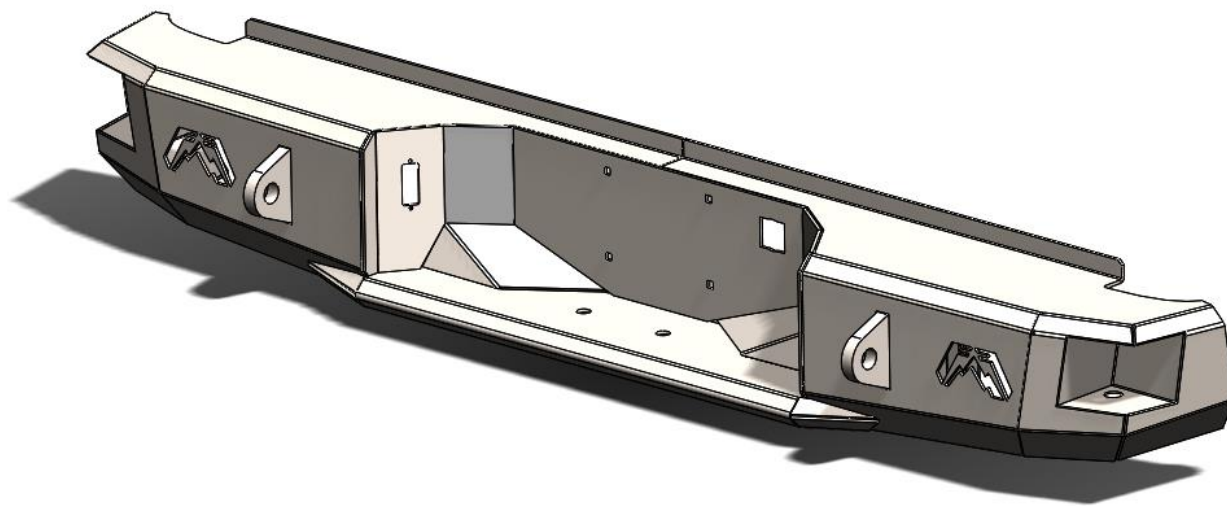
Application: '99-06 GM Heavy Duty

I. Overview

Congratulations on your new purchase of the industries' best and most stylish GM Rear Bumper! This bumper has been **engineered** for strength while keeping the weight down.

Your bumper was designed in 3-D from digitized data, CNC laser cut, fabricated, and powder coated... all in the U.S.A.

Enjoy the fit and finish of a quality GM Rear Bumper from Fab Fours Inc.



W1250 Rev. 11072014



Installation Instructions

Rear Bumper

Product Number: W1250

Application: '99-06 GM Heavy Duty

II. Tools Needed

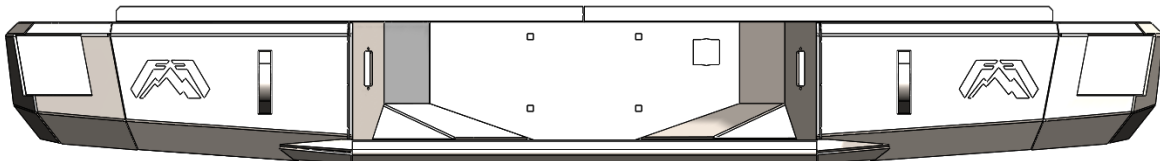
- 3/4", 1/2", 13/16" Socket
- 3/4" Wrench
- Socket wrench
- Regular Screwdriver

III. Removal

- A) Remove license plate, and OEM license plate lights. If so equipped, unplug back-up sensors and seal OEM connector with tape; affix to frame.
- B) Remove OEM bumper fasteners and OEM bumper. Set aside.
- C) Remove OEM Spare Tire Access Cover from bumper. Set aside.

IV. Bumper Preparation

- A) Lay out Fab Fours bumper and install factory license plate lights in provided locations.
- B) Install license plate inserts in provided locations.
- C) Install OEM Spare Tire Access Cover in provided location.



W1250 Rev. 11072014



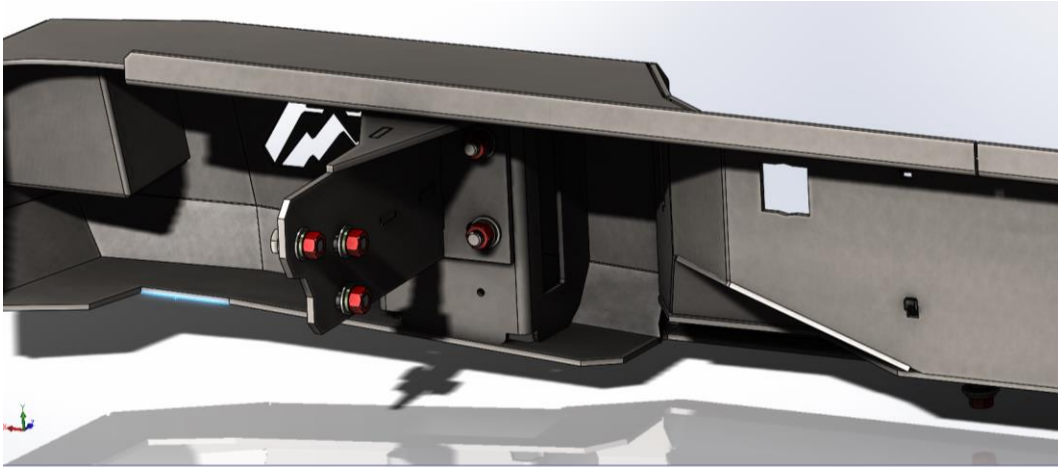
Installation Instructions

Rear Bumper

Product Number: W1250

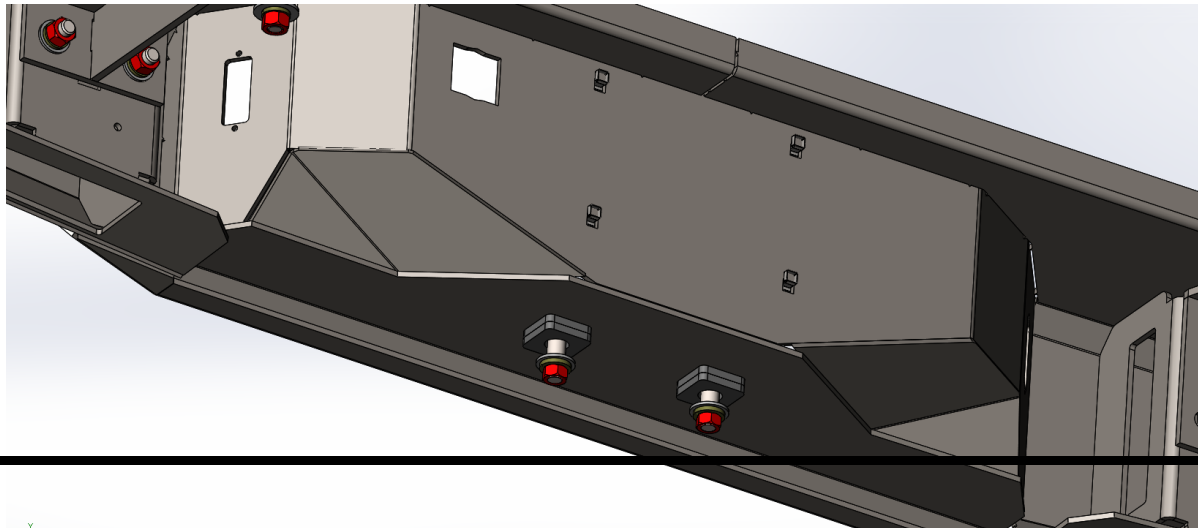
Application: '99-06 GM Heavy Duty

- A) Install bumper mounts onto bumper as shown using supplied mounting hardware: bolts, washers, and nuts. Do not tighten fully. Verify that the triangular flange points upward and middle flange faces outward. Repeat for other side.
- B) Install provided 9/16 bolts to the slots of the hitch to secure hitch to frame. (Warning: If this is not done it will change max tongue weight, and result in hitch failure.)



V. Bumper Installation

- A) Place two of the provided spacers over each hole on receiver plate for bumper to rest on during install, and use provided $\frac{1}{2}$ -13 X $1\frac{3}{4}$ bolts to secure bumper to receiver plate.
- B) Bolt bumper to frame using supplied hardware: bolts, washers, and nuts. Repeat for other side. Align Spare Tire Access Cover with guide tube.





Installation Instructions

Rear Bumper

Product Number: W1250

Application: '99-06 GM Heavy Duty

- C) Align bumper front to back and tighten frame mount fasteners.
- D) Align bumper height side-to-side, verify tailgate clears while lowered, and tighten bumper mounting fasteners using a socket and wrench.
- E) Plug in license plate light harness and secure to frame rails.
- F) Re-install license plate.

VI. Maintenance/Care

- Periodically check and tighten all fasteners.
- Stripped, fractured, or bent bolts or nuts need to be replaced.



W1250 Rev. 11072014