

RIDGELANDER

Installation Guide

921019

DF921019

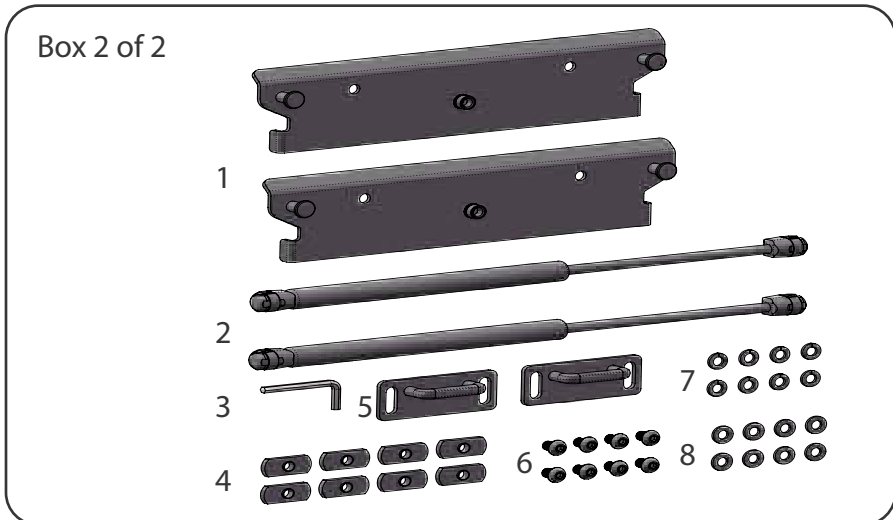
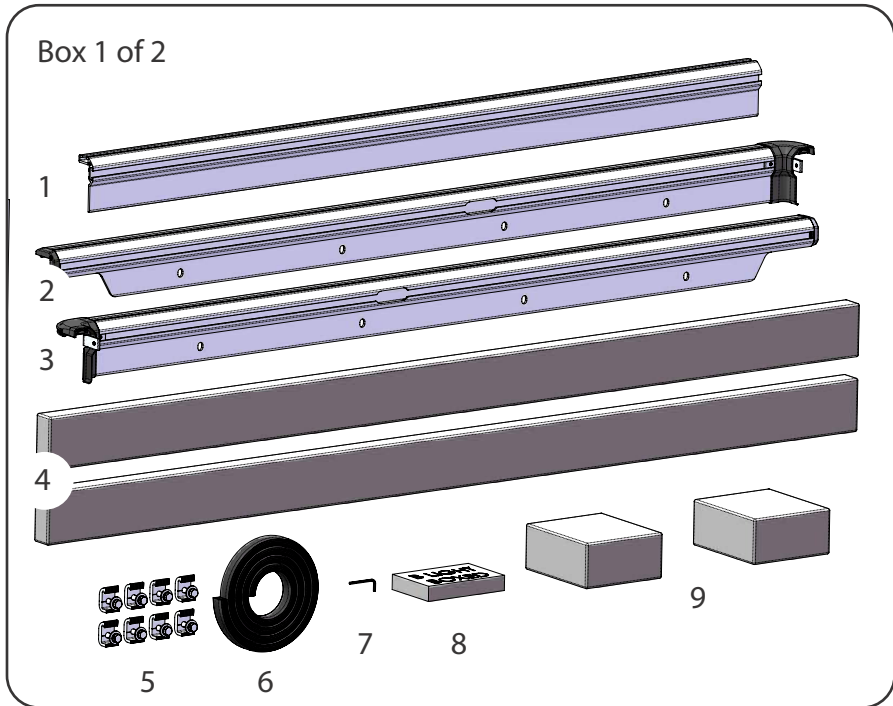
Ford F150 5.5' Short Bed 2009-Current

Hardware (Box 1 of 2)

1. Tango front rail assembly
2. Tango left rail assembly
3. Tango right rail assembly
4. Rhino Rack cross bars (2)
5. Clamps (8)
6. Bulkhead tape
7. 3mm allen wrench
8. B-Light
9. Rhino Rack leg kit (2)

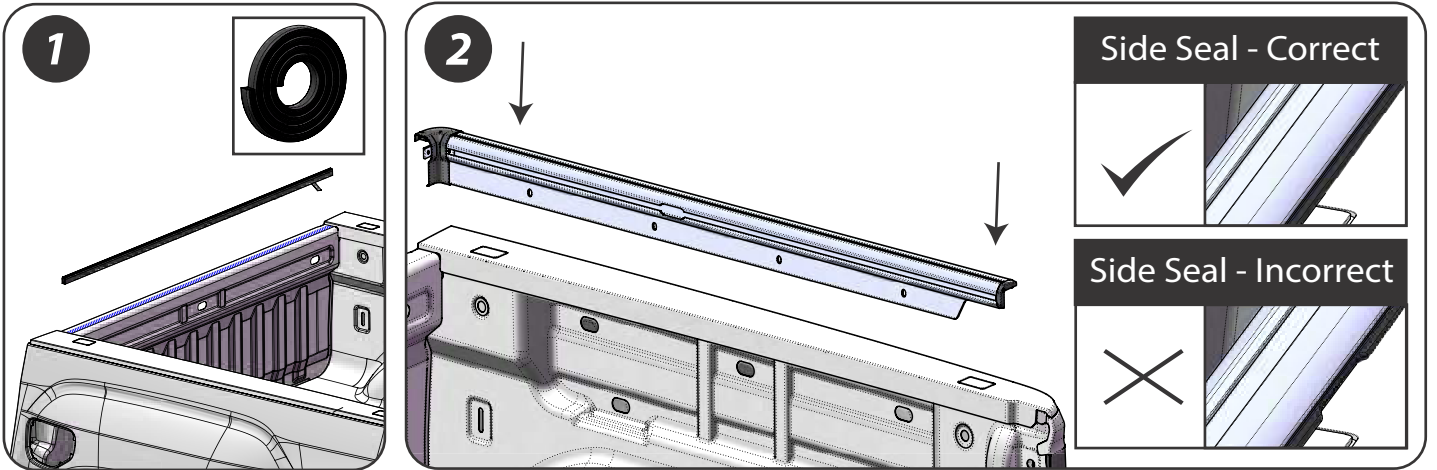
Hardware (Box 2 of 2)

1. Mounting brackets (2)
2. Gas props (2)
3. 5mm allen wrench
4. M8 t-nuts (8)
5. Striker brackets (2)
6. M8 bolts (8)
7. Lock Washers (8)
8. Flat washers (8)

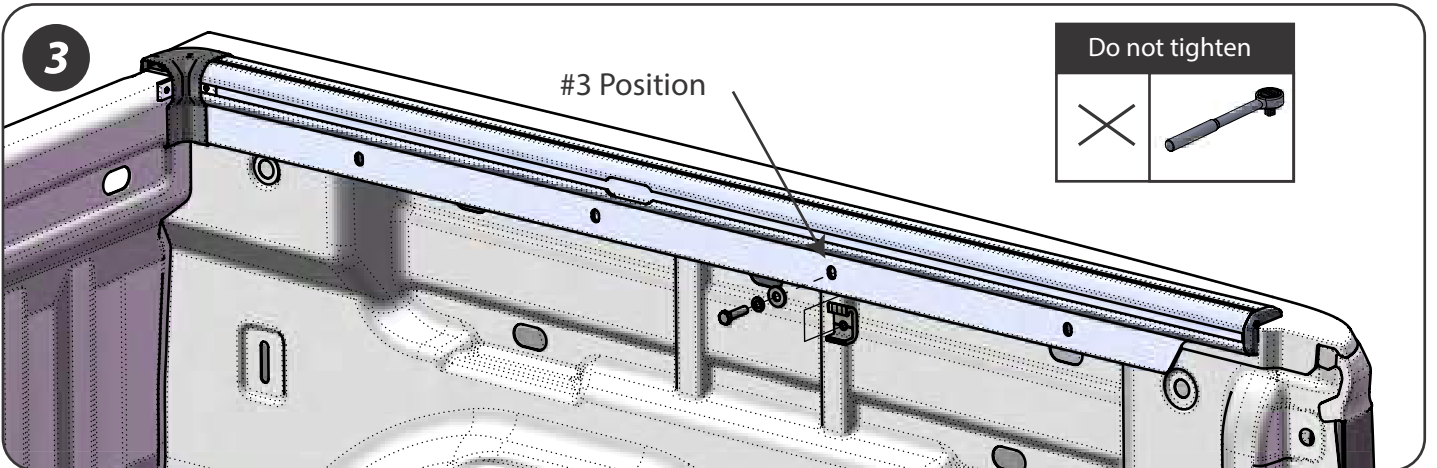


	Personal Injury
	Vehicle Damage
	Incorrect
	Correct
	See Manual

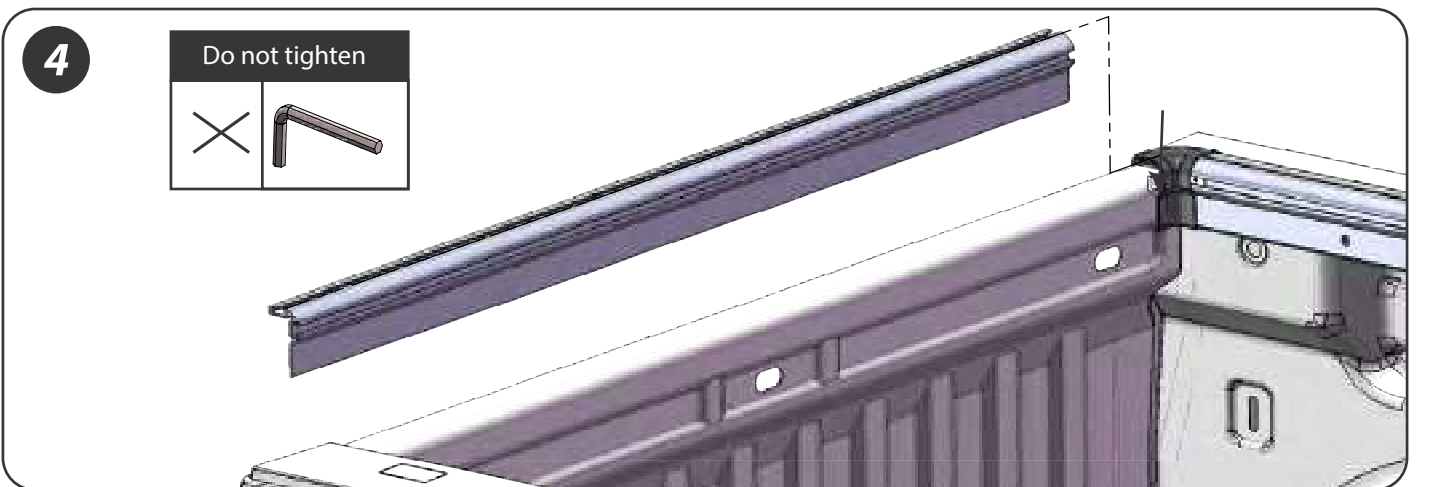
Tango Track Installation



1. Clean the bulkhead and install the bulk head seal.
2. Place the right Tango rail assembly onto the truck bed. *Note: Be sure side rubber is not pinched under the Tango rail.*



3. Install one clamp in the #3 position, do not tighten completely.

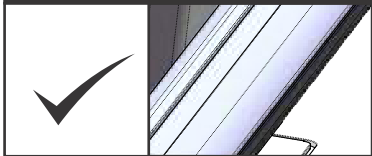


4. Slide front rail assembly by inserting L bracket into T-slot, do not tighten set screws.

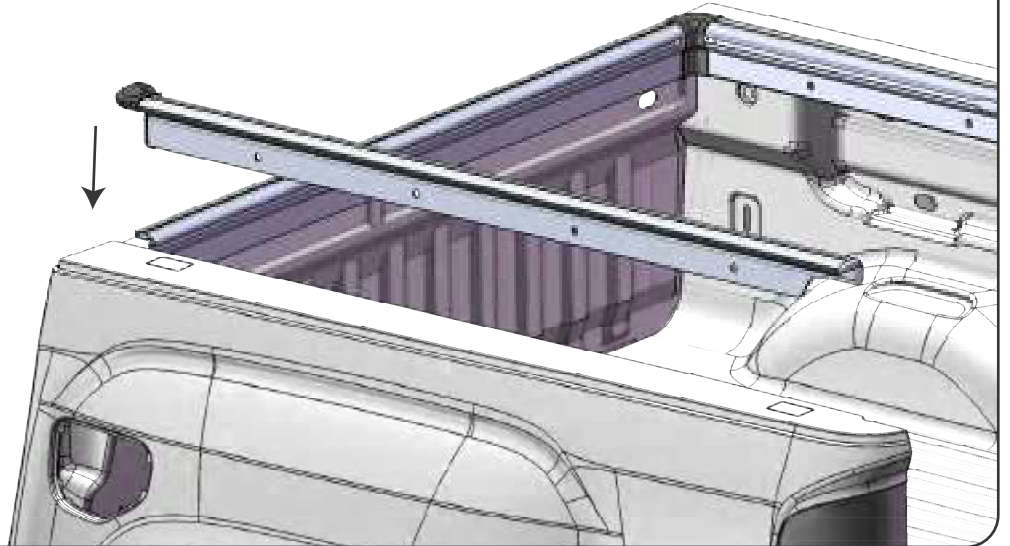
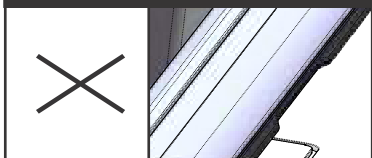
Tango Track Installation (continued)

5

Side Seal - Correct



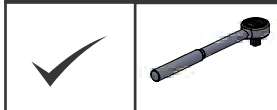
Side Seal - Incorrect



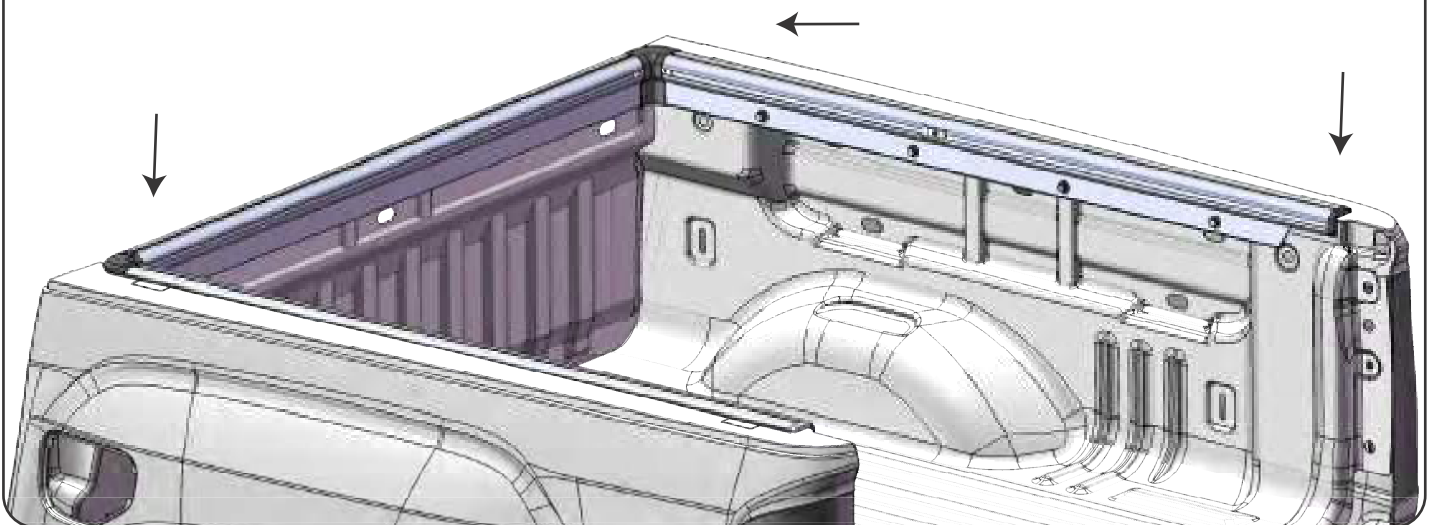
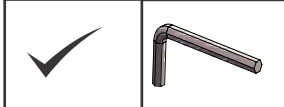
5. Slide the left rail assembly in place by inserting the L bracket in to the T-slot, do not tighten
 Note: Lift up on the front rail assembly to create enough room to insert the L bracket into the T-slot.
Note: Be sure side rubber is not pinched under rail assembly.

6

Tighten clamps 1st

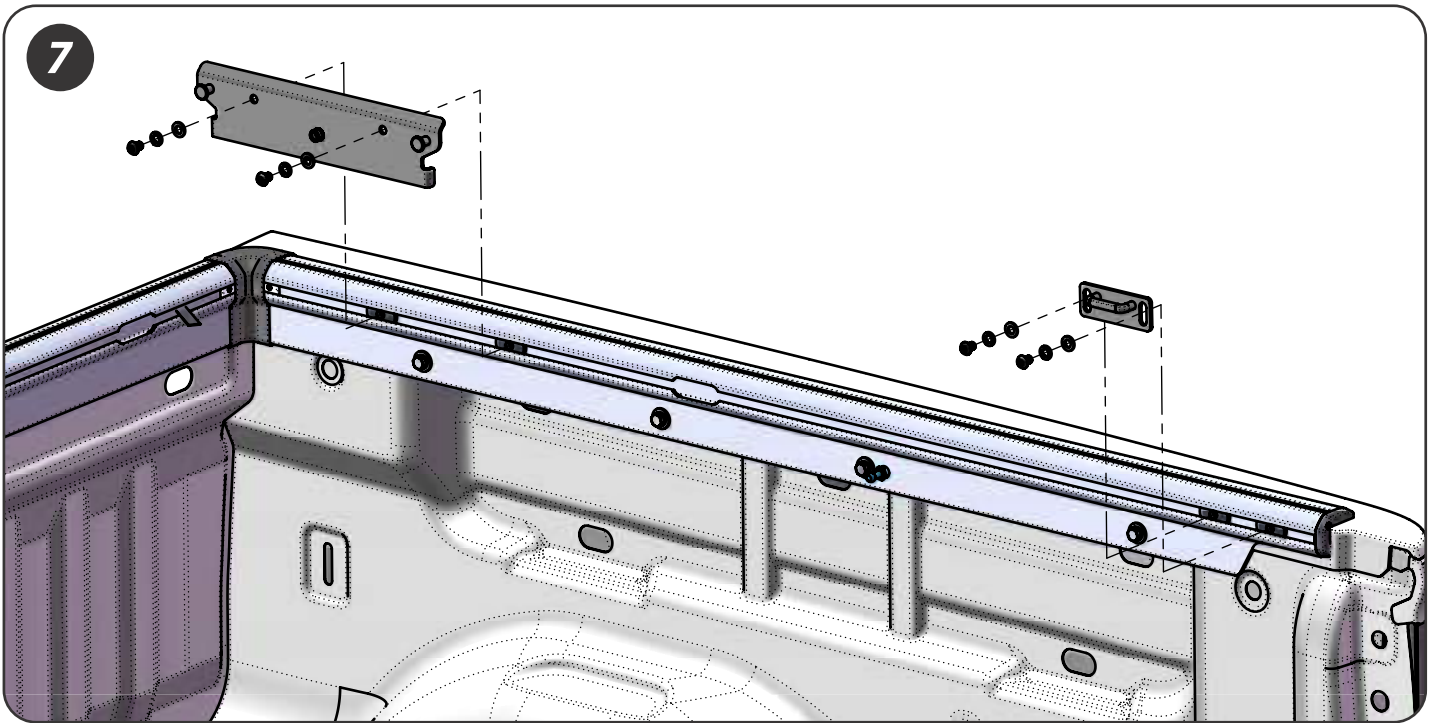


Tighten L brackets 2nd

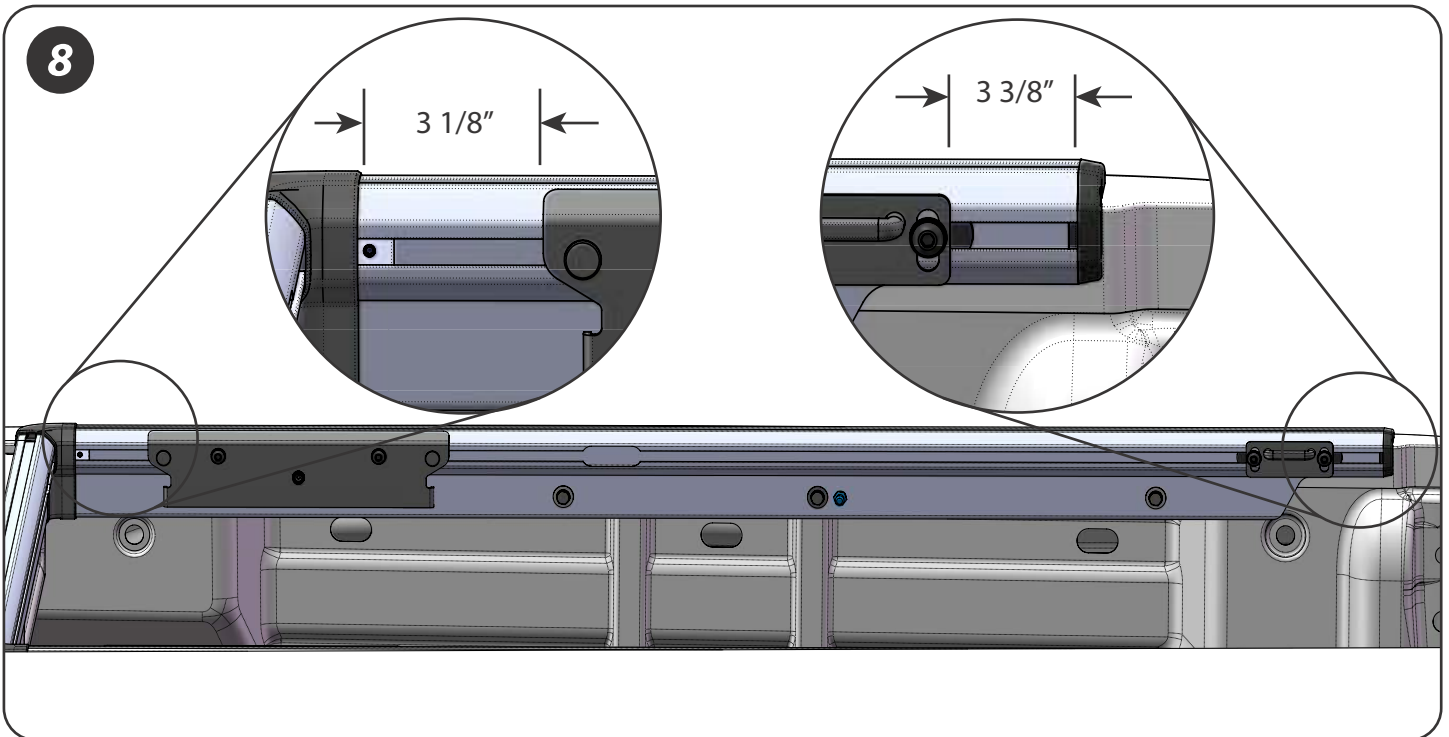


6. Push Tango system towards bulkhead, install all remaining clamps and tighten.
Note: Put downward pressure on Tango rails as you tighten clamps.
 After all 8 clamps are tight, tighten set screws on front L brackets using 3mm allen wrench.

Ridgelande Bracket Installation

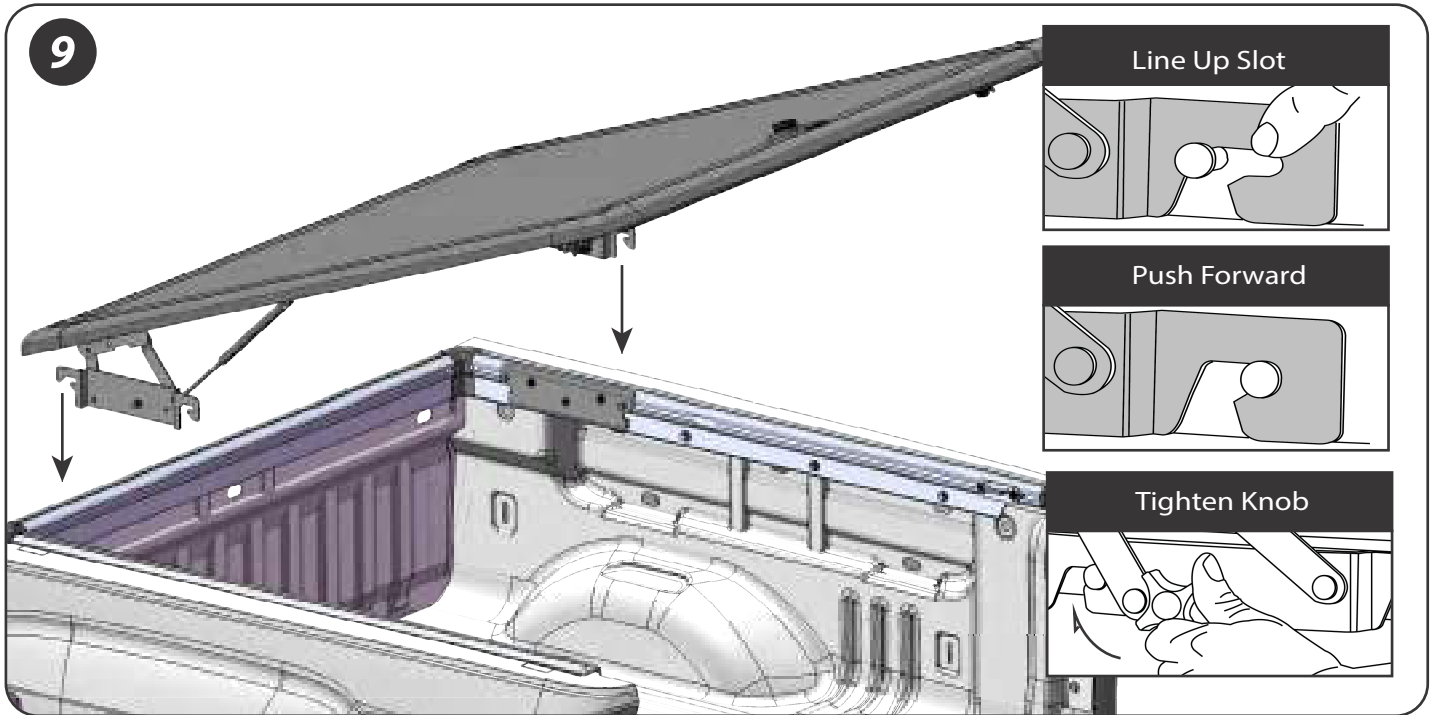


7. Slide four (4) M8 t nuts into each tango side rail track. Using the M8 bolts, flat washers and lock washers attach the front brackets and the striker brackets according to the measurements below.



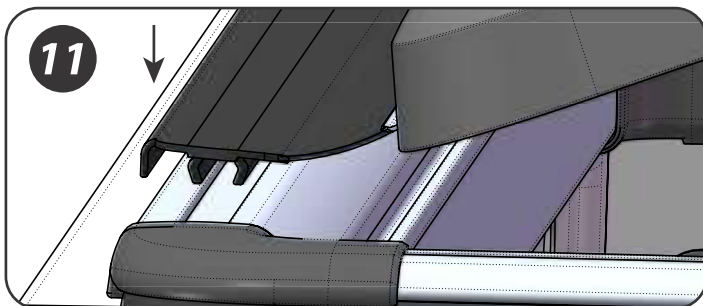
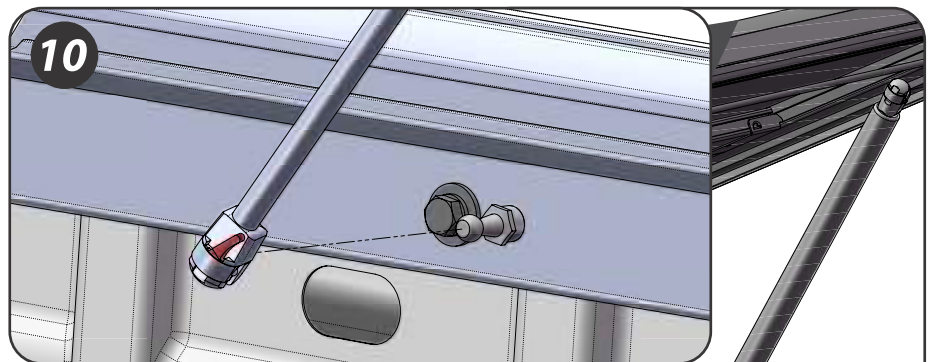
8. Position the front mounting brackets 3 1/8" from the plastic corner piece of the Tango Track. Position the rear striker brackets 3 3/8" from the rear of the extrusion.

Ridgeland Cover Installation

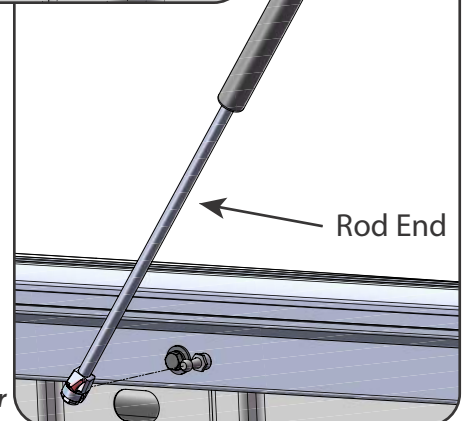


9. With some assistance place the cover onto the front mounting brackets. . Line the open slot up in the hinge with the pin on the mounting bracket. Push the cover forward to lock it into place. Tighten knob until it stops, it may be necessary to push the hinge up tight to the mounting bracket to help the threads engage, be careful not to cross thread and strip the bracket.

10. Install the hydraulic struts, attach the large end to the cover and the rod end to the Tango Track system (these will snap into place, no tools needed).

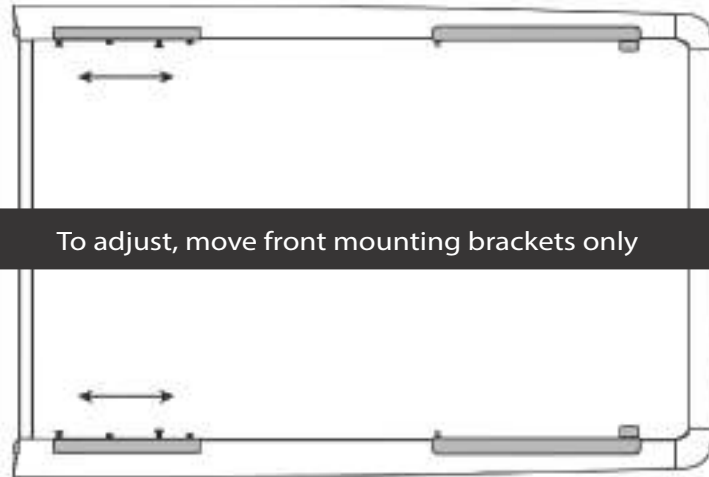


11. Snap front seal into channel on front Tango track.
Note: Spray liberal amount of glass cleaner or soap/water solution on Tango track for easier install of front seal.

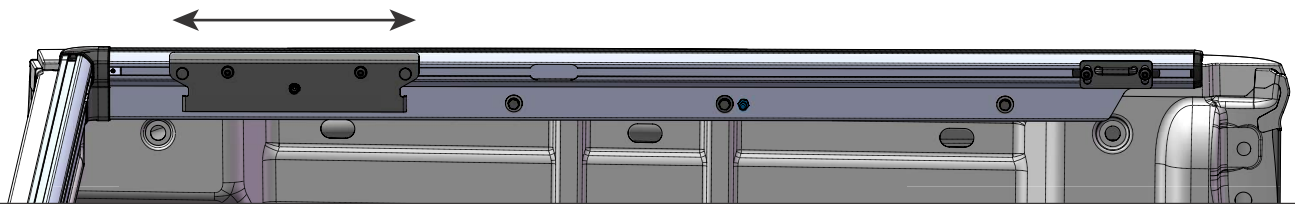


Ridgeland Cover Adjustment

12

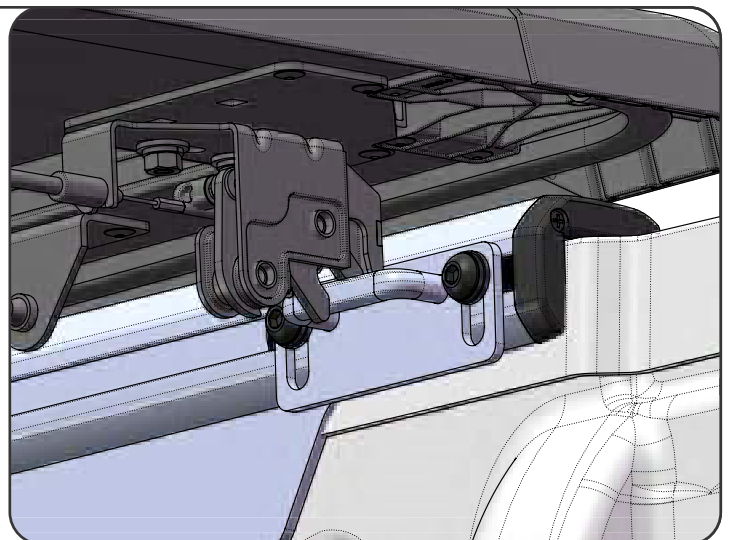
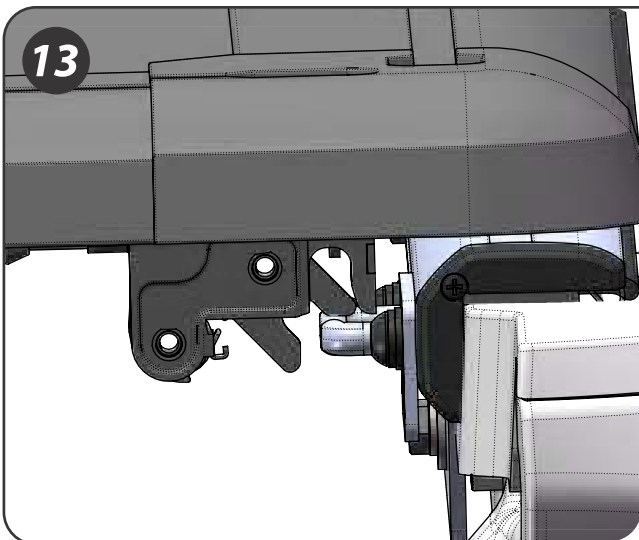


To adjust, move front mounting brackets only



12. With your cover closed, take a quick inspection to make sure that the cover is sitting square to the Tango Track. To adjust the cover front to back evenly, move both of the front mounting brackets forward or rearward accordingly. To adjust to one side or the other, move the front mounting brackets forward or rearward independently.

13



13. Close the cover and check that the latches properly engage to the striker bracket. To adjust up or down, loosen the bolts on the striker bracket. To adjust side to side loosen the nuts on the rotary latch. The cover will latch or unlatch with the emergency release with the lock unlocked or locked.

Rhino Rack

Rhino Rack Manual



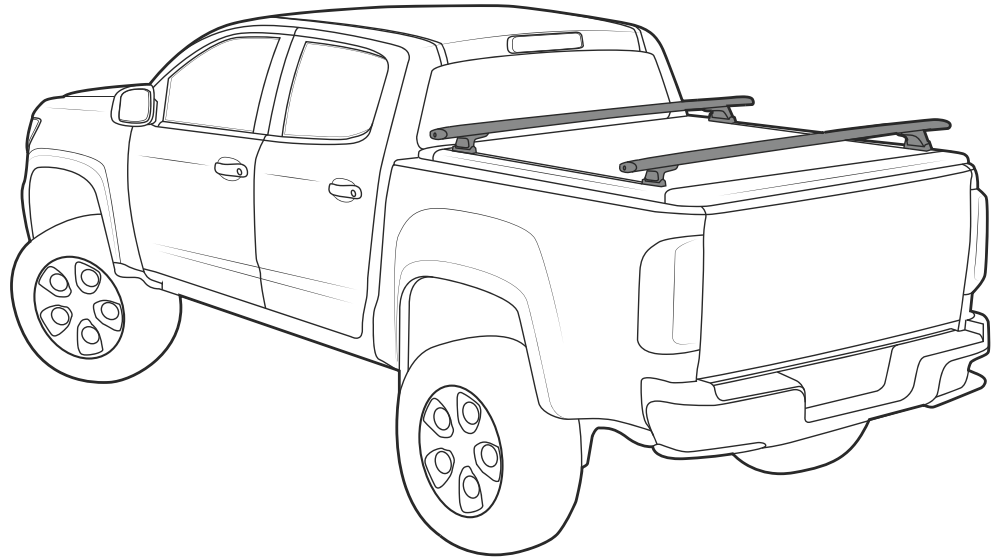
For installation instructions and load ratings for the Rhino Rack system, refer to the Rhino Rack Manual.

Truck Owners Manual



Be sure to refer to the truck owners manual for load ratings for the truck. When calculating weight of cargo, be sure to include occupants and the Ridgeland Cover.

Ridgeland with rack system = 125lbs



Caution

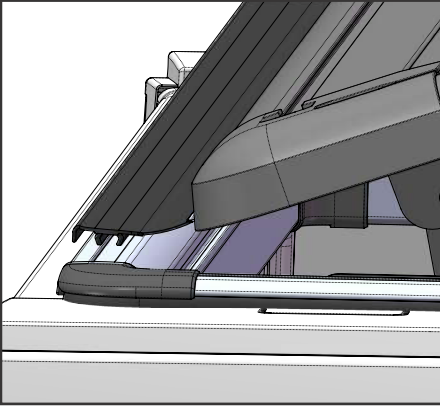


To Prevent damage or loss of cargo when driving, check to make sure cross bars and cargo are securely fastened. Loading cargo on the roof rack will make the vehicle's center of gravity higher. Avoid high speeds, sudden starts, sharp turns, sudden braking or abrupt maneuvers; other wise it may result in a loss of control. If driving for a long distance, or on rough roads, or at high speeds, occasionally stop the vehicle and make sure the cargo remains in its place. Do not ever exceed the maximum vehicle capacity when loading the vehicle.

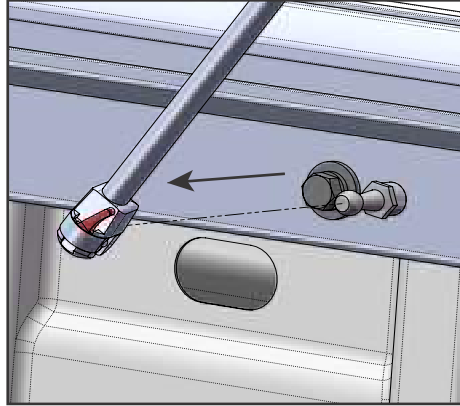
Ridgeland Removal and Reinstall

REMOVAL

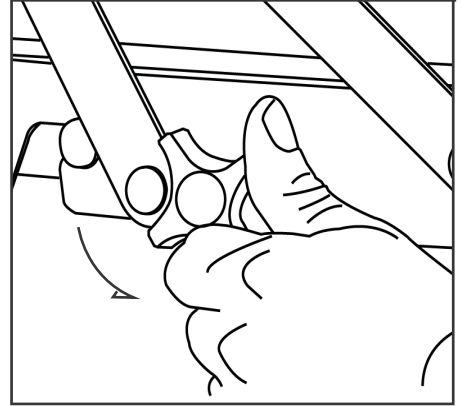
Remove front flap from track



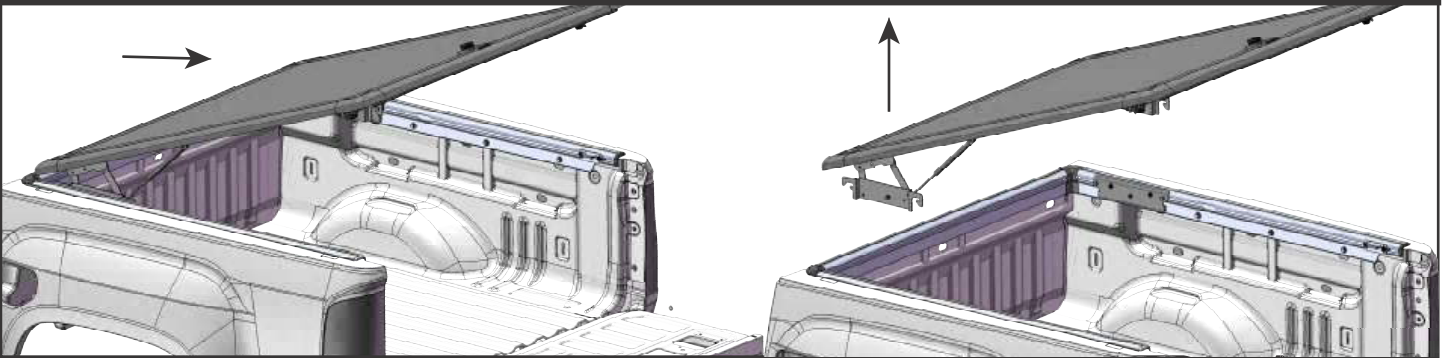
Disconnect prop, snap into J-clip



Loosen knob on hinge

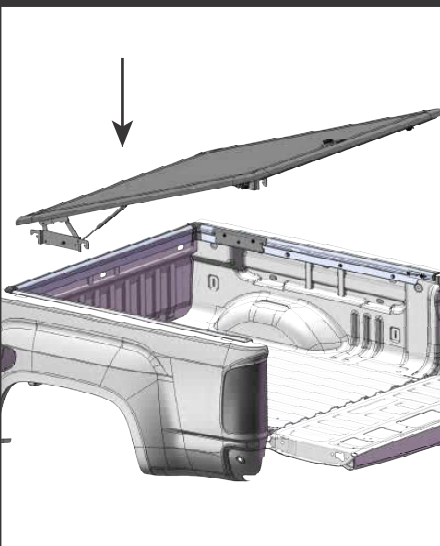


With assistance, slide cover rearward apx 1", lift straight up and remove cover

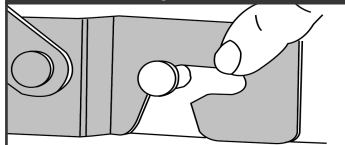


REINSTALL

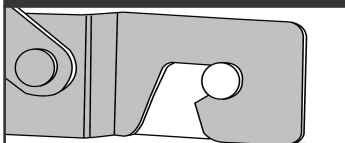
With assistance, set cover on



Line Up Slot



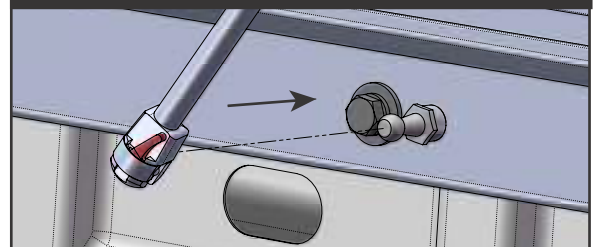
Push Forward



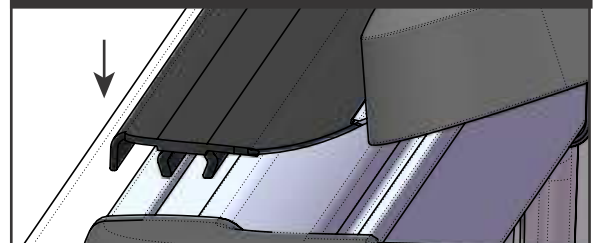
Tighten Knob



Attach props



Attach front flap



Ridgeland Warranty

IMPORTANT! - ACTIVATE YOUR WARRANTY AT UNDERCOVERINFO.COM

Be sure to activate your warranty within 30 days of your purchase. Failure to do so can complicate or void future warranty procedures.

Serial Number _____ **Date of Purchase** _____

Thank you for purchasing the UnderCover Ridgeland truck bed cover. We are proud to have you as a customer and believe you will be pleased with the years of service your UnderCover will provide. Please take a few moments to review this warranty information and be sure to complete the online registration.

TERMS OF THIS WARRANTY. UnderCover, Inc. warrants the structure of your Ridgeland tonneau cover to be structurally free from defects in material and workmanship for (3) years from the retail date of your purchase. The gas/hydraulic lift struts and mounting hardware are warranted to be free from defects in material and workmanship for (1) year from the retail date of purchase. This warranty applies only to the original purchaser, only when purchased from an authorized UnderCover dealer and is non-transferable. Your original sales receipt will serve as proof of purchase for this warranty. This warranty only applies to the original truck or original installation. Before credit can be issued on a warranty claim, proof of defect may be required in the form of pictures. This will be determined at the time of claim.

For the Rhino Rack Warranty see the Rhino Rack owners guide.

EXCLUSIONS OF THIS WARRANTY. Not covered under this warranty is failure due to neglect, improper installation including any modifications to installation hardware, operating the truck with your Ridgeland in the open position, alterations, addition of equipment, abuse, accident, weather related damage and normal wear and tear from lack of maintenance.

CAUTION. Do not attempt to drive with your cover in the open position or tie down your cover while in the open position. When hauling material that is taller than the truck bed height, you should remove the cover, store it, then properly haul oversized material. Tying the cover down when open will cause severe stress to the front hinges and could cause one or both of the hinges to crack and possibly tear out. This type of damage is not considered a manufacturer defect.

OWNER RESPONSIBILITIES. Incidental or consequential damage or loss of contents due to use, neglect, lack of maintenance, misuse, or abuse of the Ridgeland tonneau is the sole responsibility of the truck owner and operator. Paint wear to the truck's bed can happen with the use of any truck bed cover, and is the sole responsibility of the truck owner. Materials such as 3M Scotchgard™ or other clear paint protective films may be used to help prevent possible paint damage. Ask your dealer for other recommendations. Paint damage to your truck is not covered under this warranty. When operating your truck, always keep your cover in the latched position. Failure to do so could result in sudden opening of the tonneau cover from unexpected heavy winds, which could cause damage to the truck and/or your tonneau cover.

REPAIR AND REPLACEMENT. In the event that your Ridgeland tonneau is found to be defective under the terms of this warranty, it is at the discretion of UnderCover, Inc. to repair or replace the defective part. All repairs must be made by an authorized UnderCover dealer or under direction of UnderCover, Inc. In the case of either event, UnderCover, Inc. is not responsible for any transportation costs associated with the warranted claim.

MAINTENANCE & CARE. The body of your Ridgeland requires only periodic cleaning with mild car wash soap. Avoid use of abrasive type cleaners as they may dull the finish.



RIDGELANDER